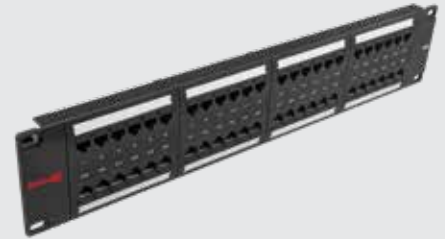


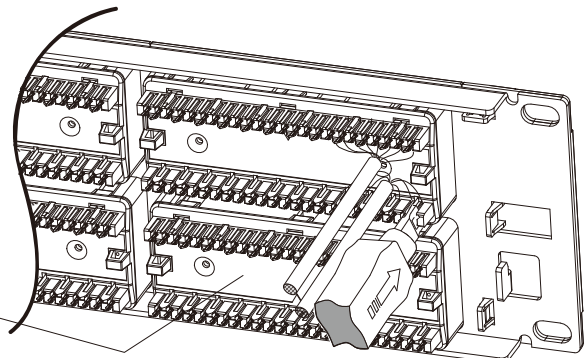
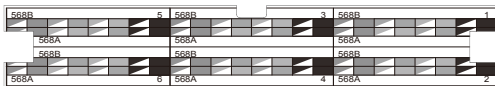
P/N: S45-2548

48-Port Loaded Patch Panel - Unshielded Cat5e UTP,
2RU, Rear 110 IDC Punch Down, Numbered Ports w/Labels,
ANSI/TIA 568.2-D, ISO/IEC 11801 Class D,
PoE: IEEE 802.3bt, UL - Black - 1 ea/Box

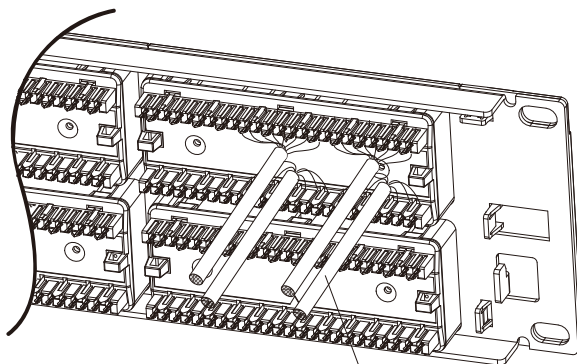


1. Punch down cables to 110/Krone IDC Connector according to TIA568A/B wiring instruction label.

Wiring Label

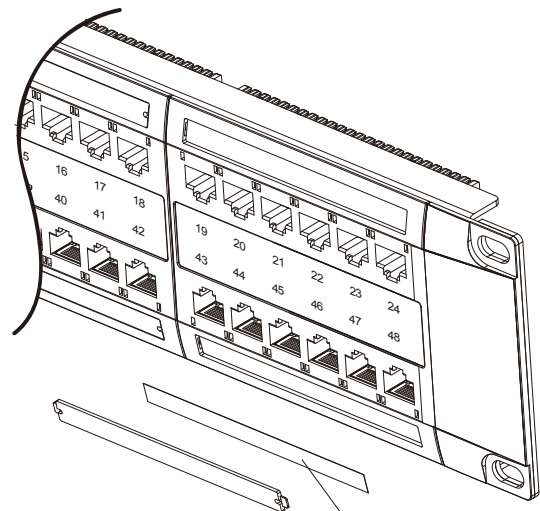


2. Punch down solid cable to each port until termination is completed.



Solid Cable

3. Write port description on label and then put on the plastic cover to finish the installation.



Write on description label protected by clear plastic cover