

GAS DETECTION **Macurco**

Nitrogen Dioxide Detector and Transducer

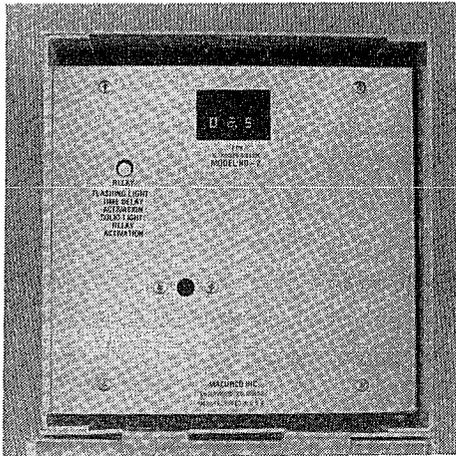
Parking Garage

Warehouse

Maintenance Facility

Ice Skating Arena

Storage Facility



ND-2

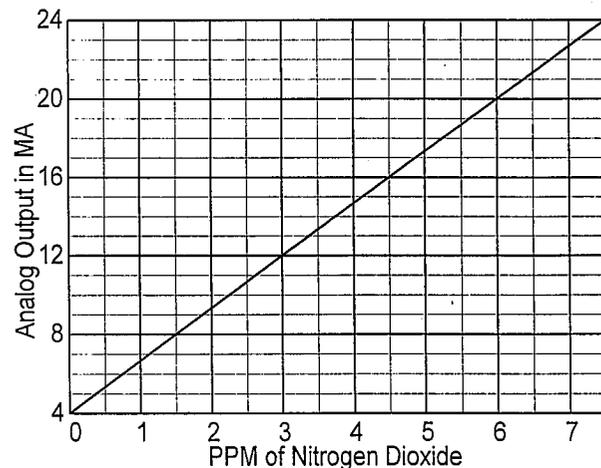
- * Automatic Ventilation Controller
- * 4 to 20 mA Output, for 0 to 6 ppm
- * Microcomputer Controlled
- * Digital Display: 0 to 9 ppm NO₂
- * Highly Linear Electrochemical Sensor
- * Relay w/Selectable Set Point & Delay
- * Diesel Exhaust detection and control

- * Specific to Nitrogen Dioxide.
- * Provides Nitrogen Dioxide detection, digital display of gas concentration, 4 to 20 mA output, and a relay to automatically control exhaust fans or other devices.
- * ND-2 works on a wide range of power: 12 to 24 VAC or VDC.
- * Meets the requirements of OSHA and the state of Wisconsin.
- * Housed in Nema 1, UL, metal knockout case.
- * Internally adjustable switch for relay delay from 0.5 to 5 minutes.
- * Bright LED shows relay status, flashes during delay period, is on steady when the relay closes.
- * Replacement sensors and field calibration kit available. Normal sensor life is over 2 years.
- * Isolated 4 to 20 mA output (1000 volts) so common power supplies can be used.

SPECIFICATIONS

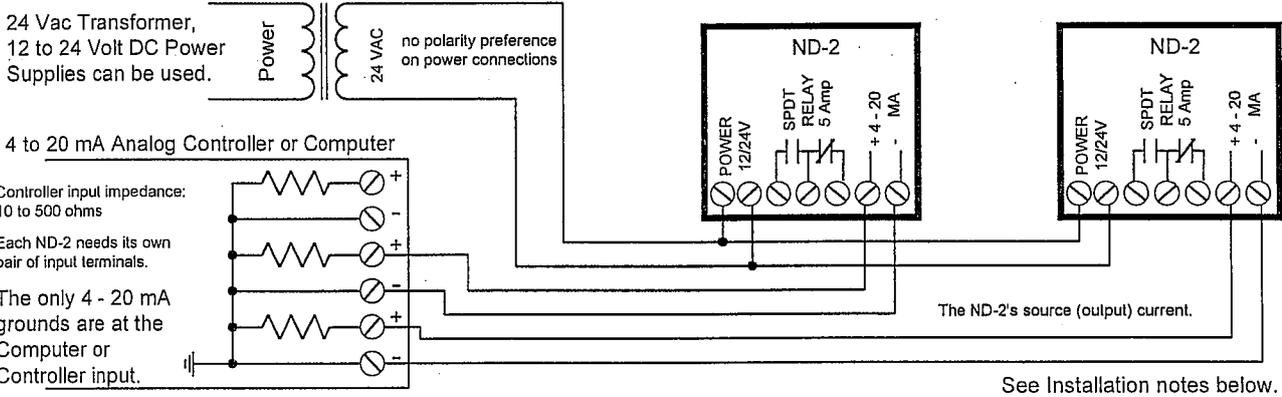
POWER: 1.2 Watts from 12 to 24 VAC or VDC
SIZE: 6 X 6 X 3 inches
COLOR: Gray
SHIPPING WEIGHT: 3 pounds
RELAY: 5 Amps, 240VAC, pilot duty, SPDT
RELAY SET POINT: 0.5 to 3.0 ppm
OPERATING ENVIR.: 0 to 125° F, 10 to 90% RH
LINEARITY: Within 1%.
ACCURACY (after calibration): ± 3%
SENSOR OUTPUT DROOP: Less than 2% a month.

ALL UNITS ARE FACTORY CALIBRATED
TYPICAL COVERAGE: 5000 square feet per unit

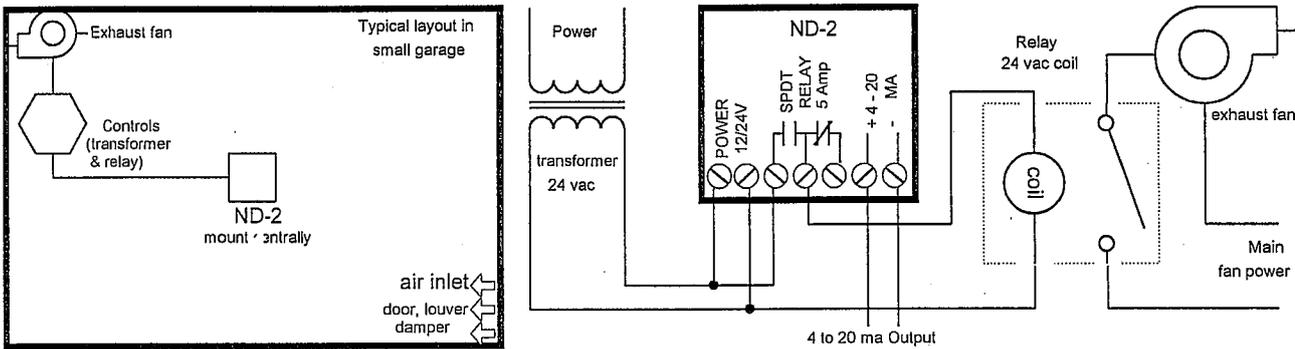


ND-2 APPLICATIONS AND SAMPLE HOOK-UPS

Typical connections to Building Automation Controllers



Typical Installation in small garage



Typical multiple ND-2 installation

INSTALLATION NOTES

1. One sensor per 5000 square feet (approximately).
2. Mount ND-2 four to five feet above the floor (breathing height), as NO₂ is heavier than air.
3. See applicable building code for fan size vs air changes per unit of time.
4. Make sure there are air inlets to provide adequate air flow throughout the building.
5. ND-2 relays are dry contact & can switch up to 5 Amps, up to 240V.

