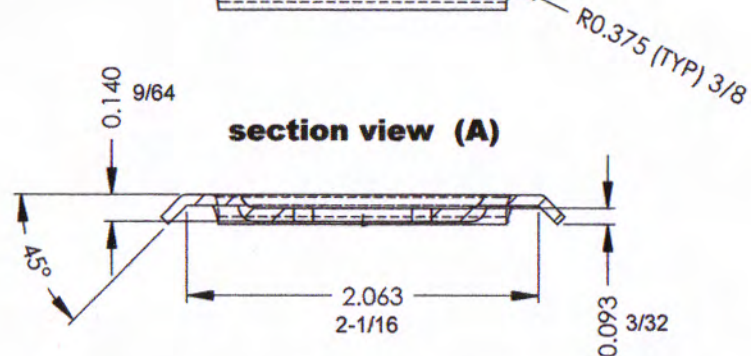
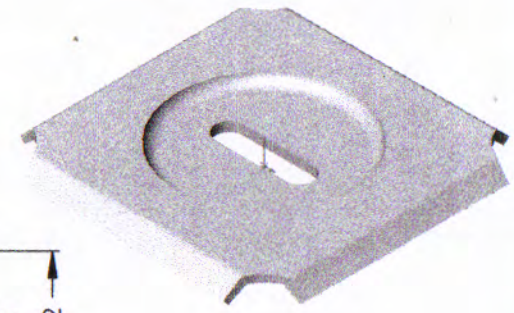
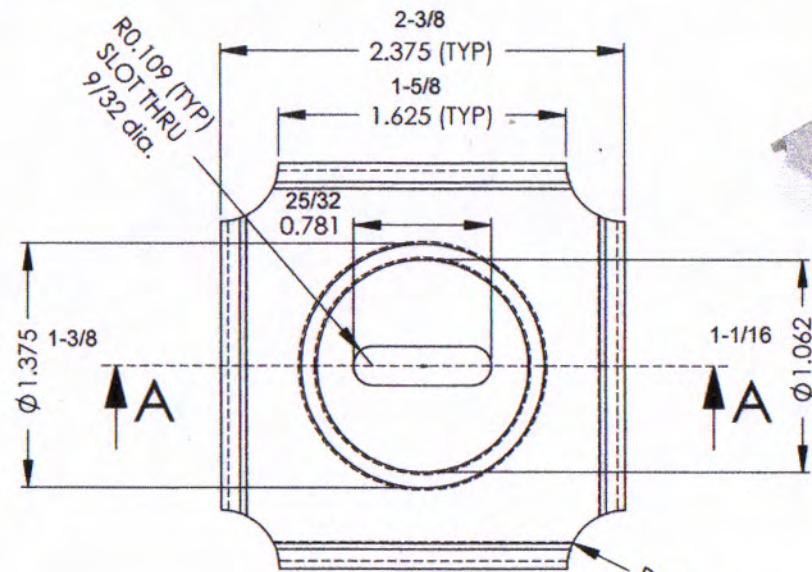


**GENERAL NOTES:**

- 1) MATERIAL TO BE HOT DIPPED, PRE-GALVANIZED STEEL, ASTM A641, TO AVOID THE FORMATION OF ZINC WHISKERS.
- 2) DIMENSIONAL TOLERANCES
  - A) GENERAL +/- 1/16
  - B) MATERIAL THICKNESS +/- 1/32
  - C) ANGULARITY +/- 2 DEG.
- 3) ALL UNITS INCHES
- 4) FINISH OPTIONS
  - A) SAME AS ABOVE
- 5) MATERIAL THICKNESS 13 GAGE = .0747
- 6) WEIGHT = 5 LBS / BOX
- 7) 50 SETS / BOX
- 8) 60 LBS MAX / SHIPPING BOX.
- 9) SUPPORT CLAMP SCREW ( BUY ITEM)  
1/4 - 20 UNC-2A SELF THREADING SCREW.



UNLESS OTHERWISE SPECIFIED: DIMENSIONS ARE IN INCHES					DEBUR AND BREAK SHARP EDGES		<b>act</b> <b>Access Cable Trays INC.</b>	
REVISION	NAME	CHANGE	DATE				TITLE:	
A	AF		5-12-10				FLOORFLEX GROUND CLIP	
							DWG NO. GR - CLIP	
							SCALE:1:1	
							SHEET 1 OF 1	