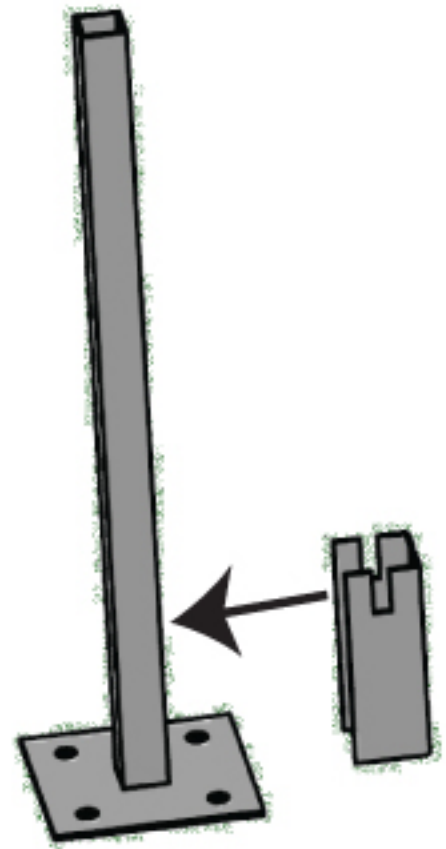
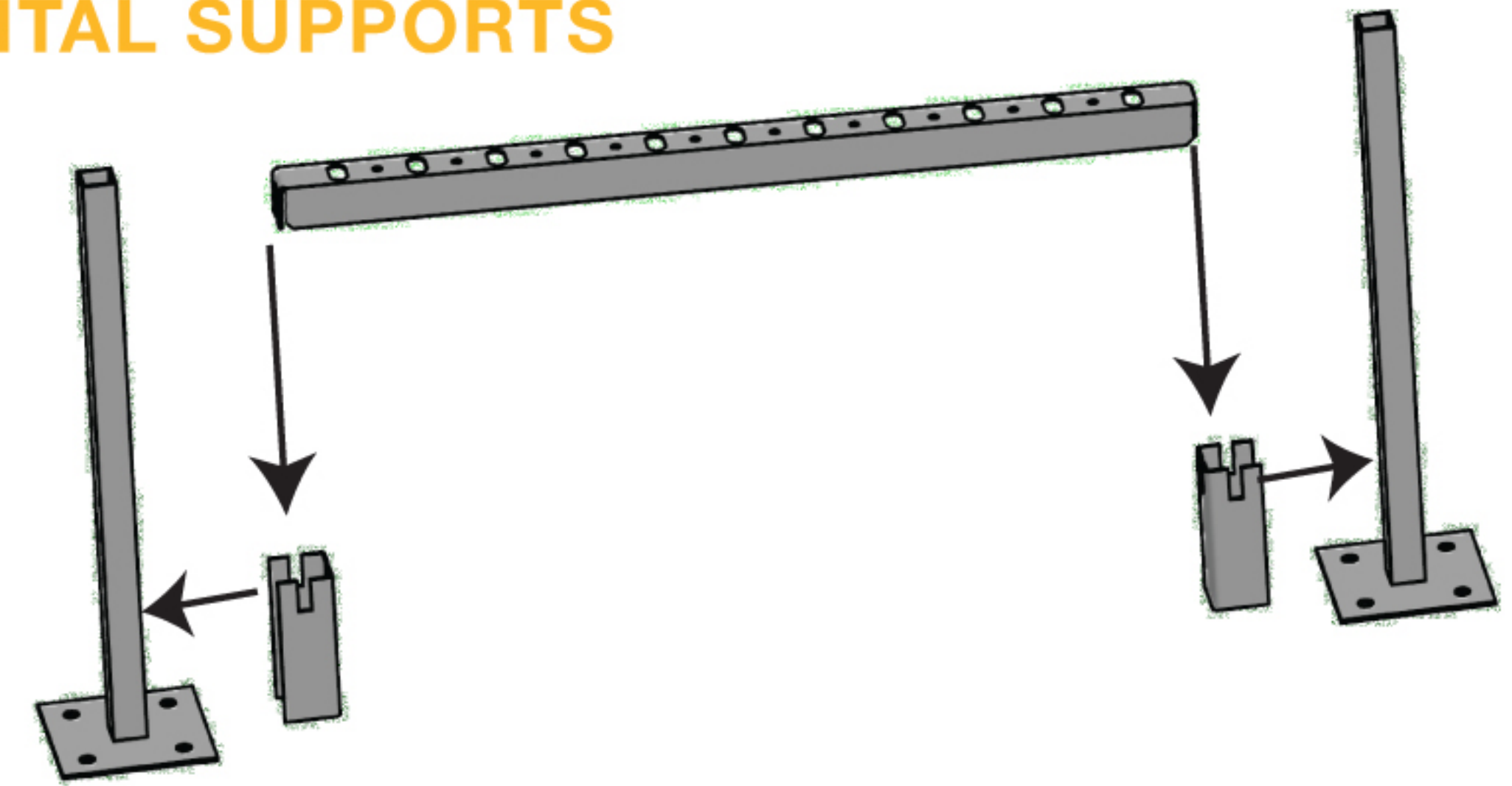
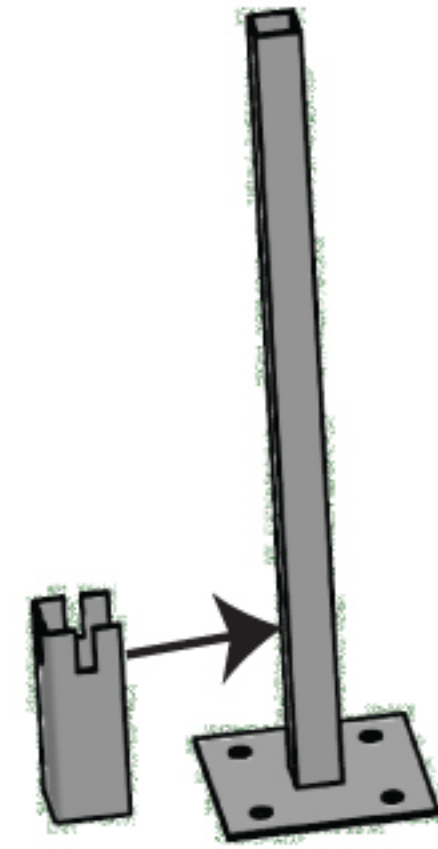


Here's how simple it is to install. **It's a snap.**

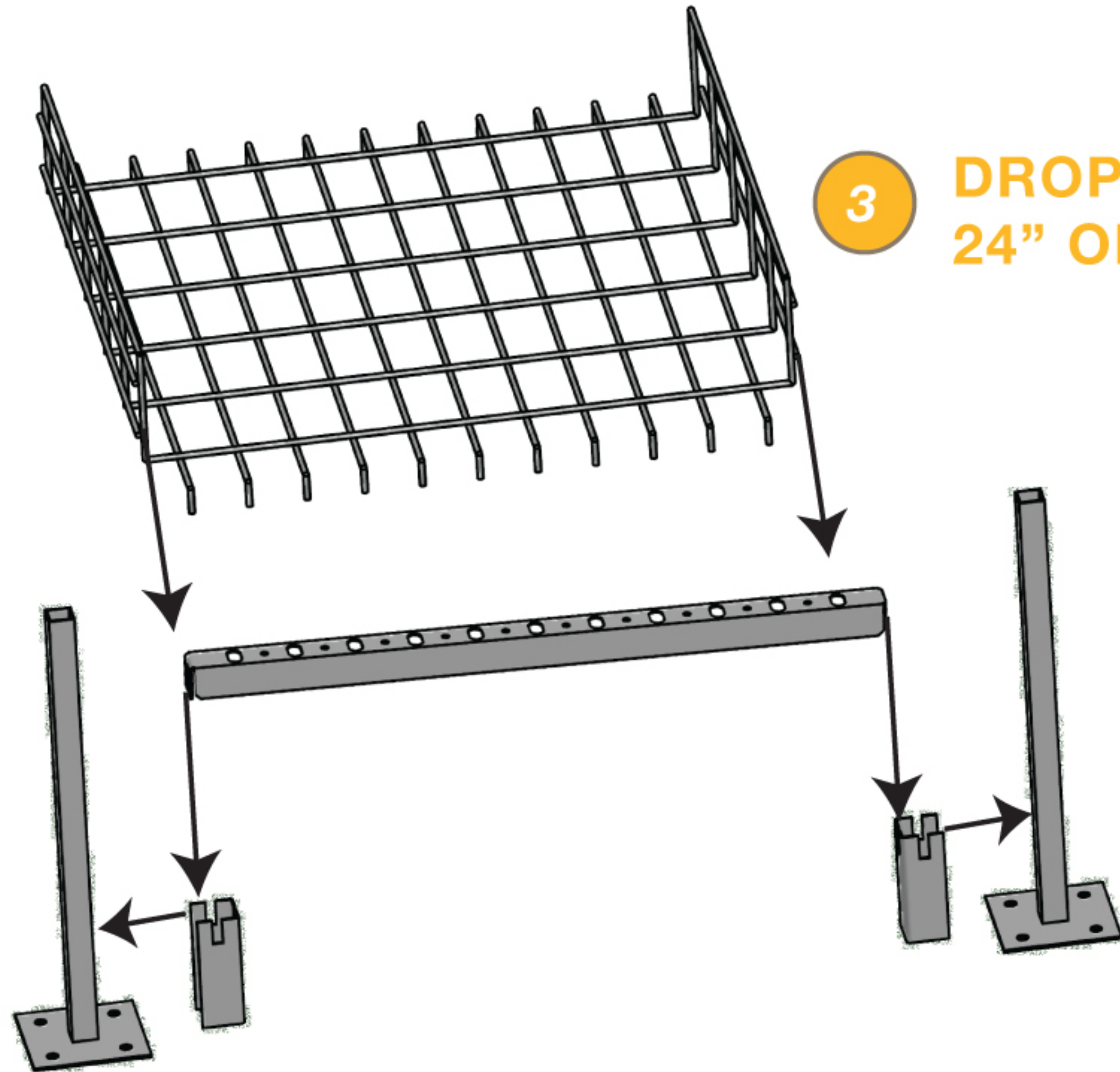
1 SLIP ON
VERTICAL SUPPORT



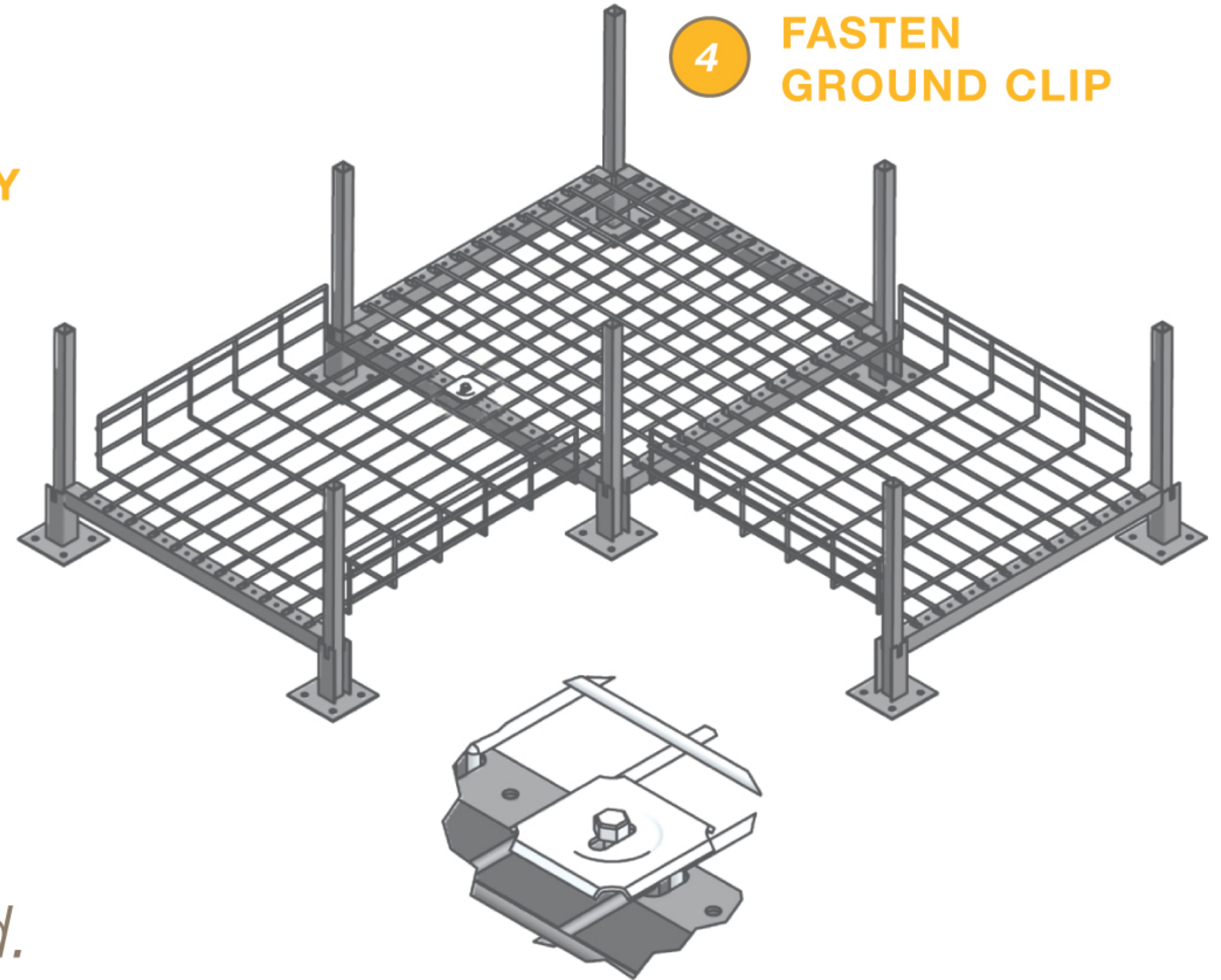
2 SNAP IN
HORIZONTAL SUPPORTS



3 DROP IN
24" OR 48" TRAY



4 FASTEN
GROUND CLIP



No special tools or cutting required.