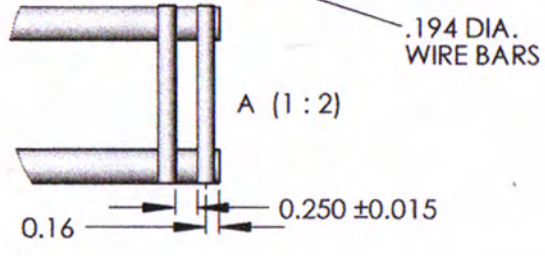
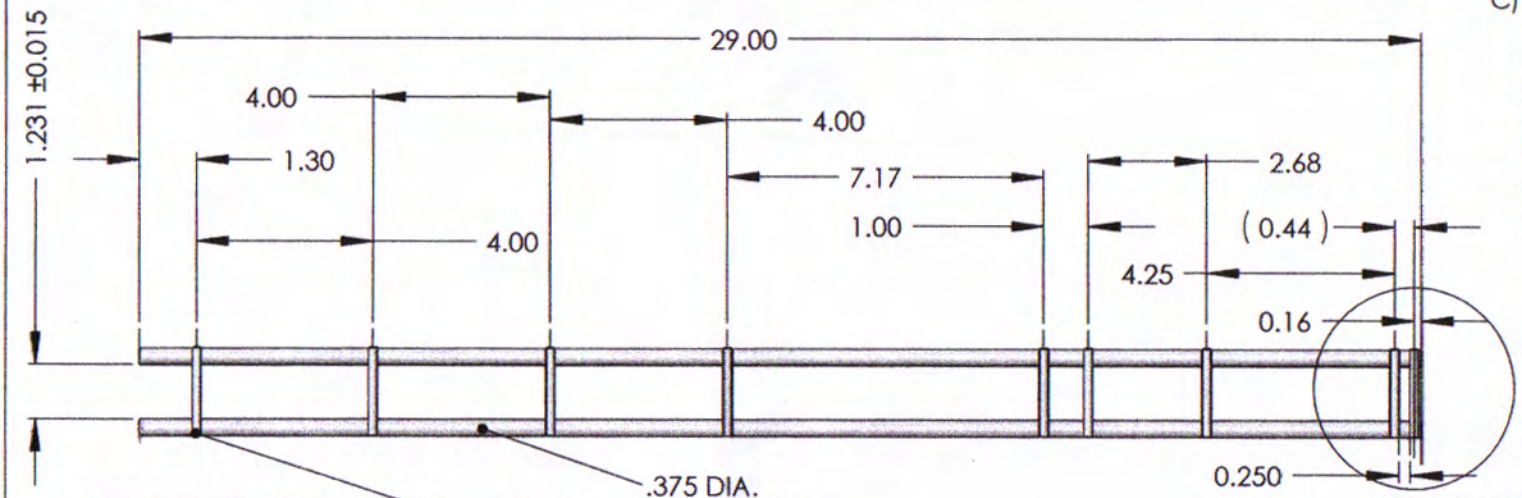


MULTI LEVEL BRACKETS			
BRACKET SIZE	A- DIM.	B- DIM.	C- DIM.
6X8X15	6"	8"	15"
6X12X11	6"	12"	11"
6X4X19	6"	4"	19"

GENERAL NOTES:

- A) MATERIAL
- 1) REGULAR GALVANIZED WIRE PER ASTM A641.
 - 2) CARBON STEEL BRITE BASIC WIRE PER ASTM A510 GRADE 1008.
- B) FINISH (CARBON STEEL WIRE ONLY)..
- C) DIMENSIONAL TOLERANCES
- 1) GENERAL DIMENSIONS +/- 1/8" U.N.D.
 - 2) LENGTH +/- 1/4"
 - 3) WIDTH +/- 1/64"
 - 4) DEPTH +/- 1/8"
 - 5) ANGULAR FORMATION +/- 3 DEG.
 - 6) CAMBER SHALL NOT EXCEED 1/2" ON STANDARD 10' LENGTH.
 - 7) TWIST SHALL NOT EXCEED 1/2" ON STANDARD 10' LENGTH.



UNLESS OTHERWISE SPECIFIED: DIMENSIONS ARE IN INCHES.					DEBUR AND BREAK SHARP EDGES
REVISION	NAME	CHANGE	DATE		
A	AF		5-12-10		
				MATERIAL:	
				WEIGHT:	

act
Access Cable Trays Inc.

TITLE:
MULTI-LEVEL-BRACKET

DWG NO. AFML 4 - 8 - 12

SCALE: 1:5

SHEET 1 OF 1