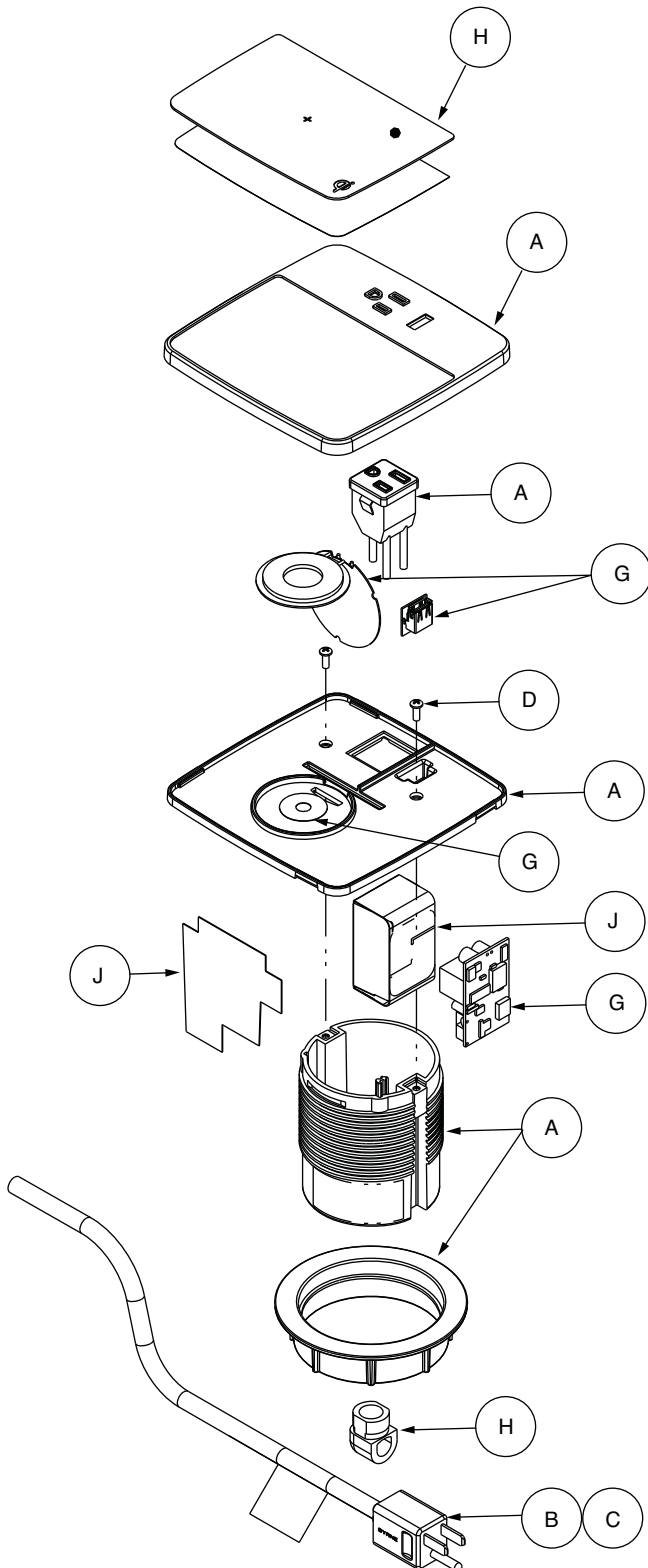


BYRNE™

PRODUCT END-OF-LIFE DIS-ASSEMBLY INSTRUCTIONS FOR HQ™ & HQ2™



Material Identification

- A - Plastic >PC<
- B - Plastic >PVC<
- C - Copper
- D - Steel
- E - Aluminum
- F - Zinc
- G - Misc.
- H - Nylon

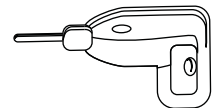
Recommended Tools



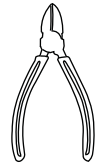
Safety Gloves



Safety Glasses



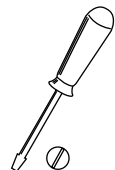
Drill



Wire Cutter



Hammer



Flathead & Phillips
Screw Driver

Dis-Assembly Time
Approximately 15 min.