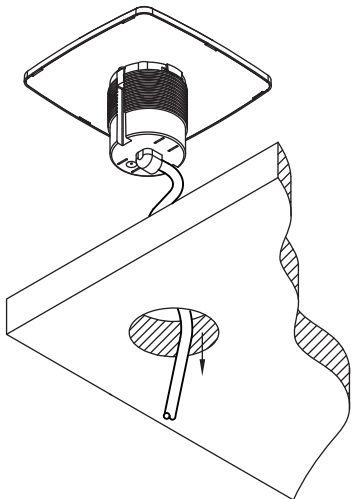
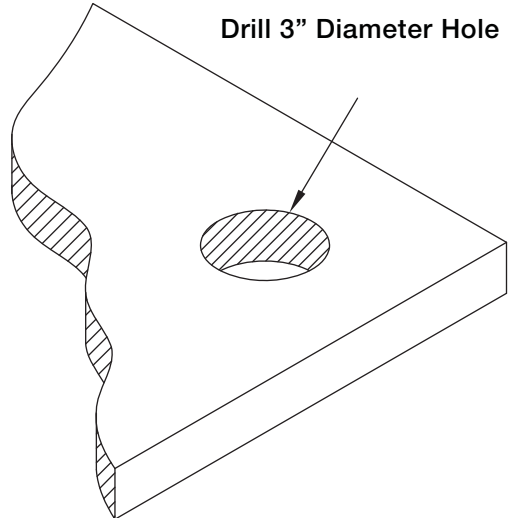
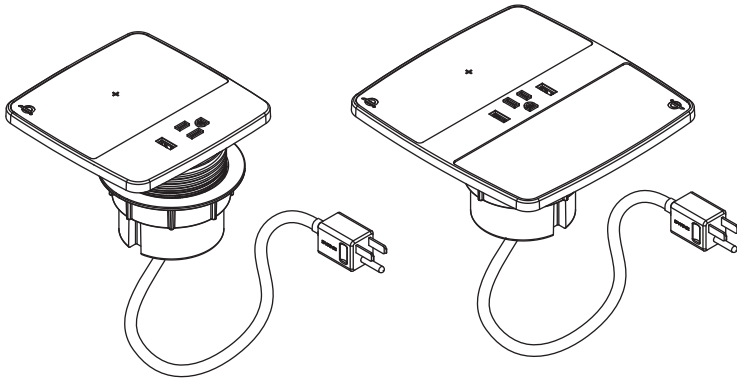
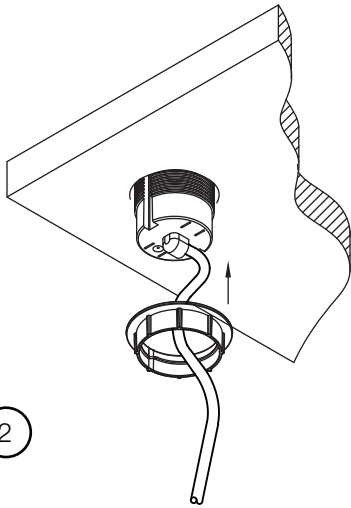


BYRNE

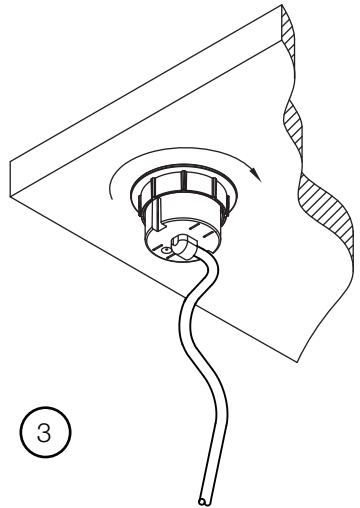
INSTALLATION INSTRUCTIONS FOR HQ® and HQ2®



1



2



3