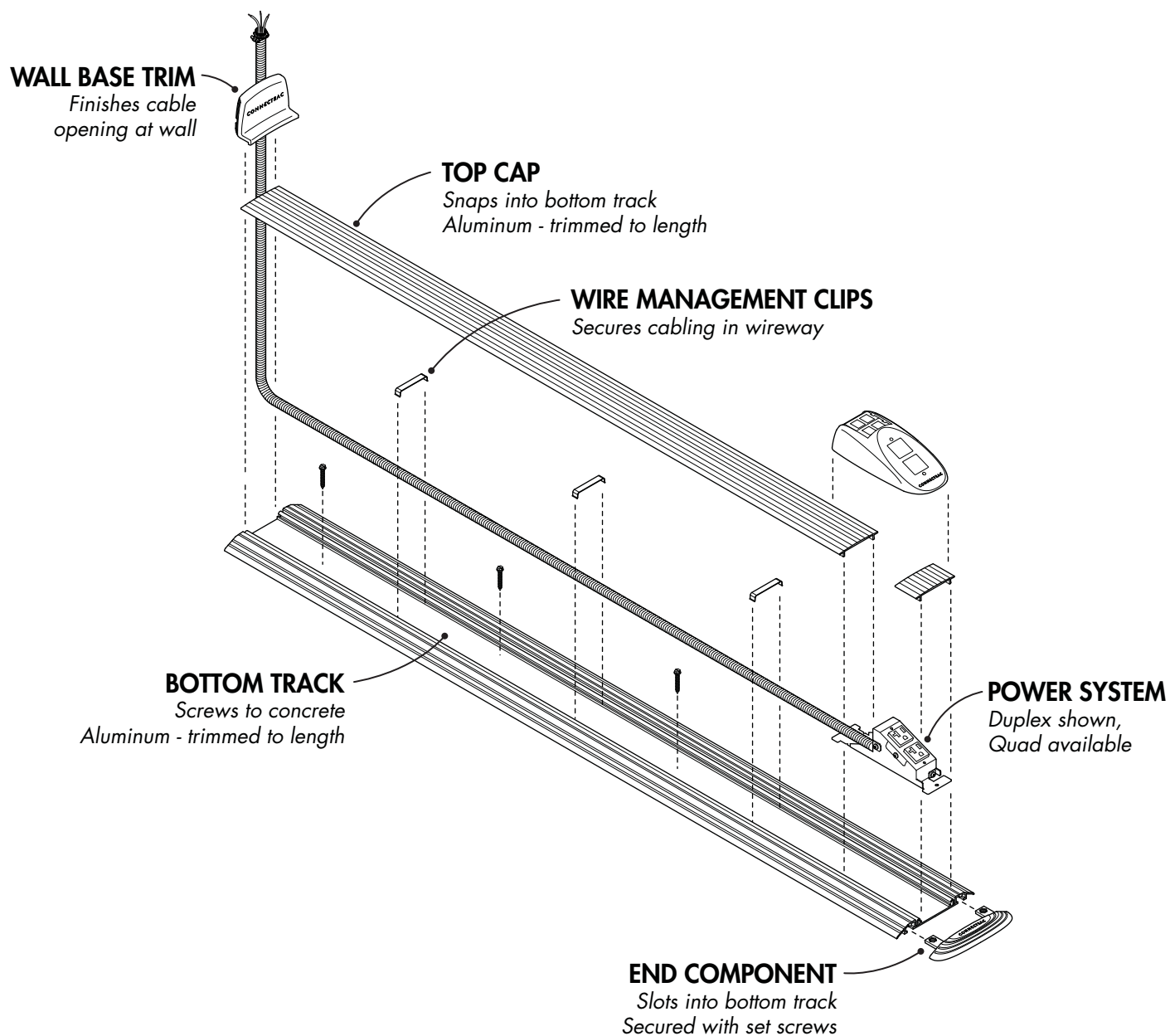
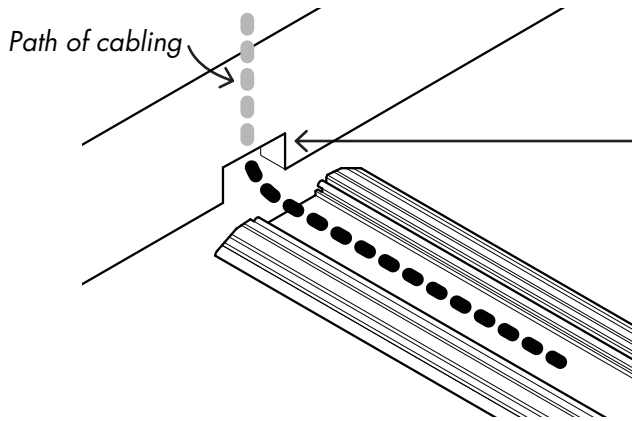


ON-FLOOR WIREWAY INSTALLATION GUIDE

These components are typical for each wireway installation:



INSTALLATION BASICS

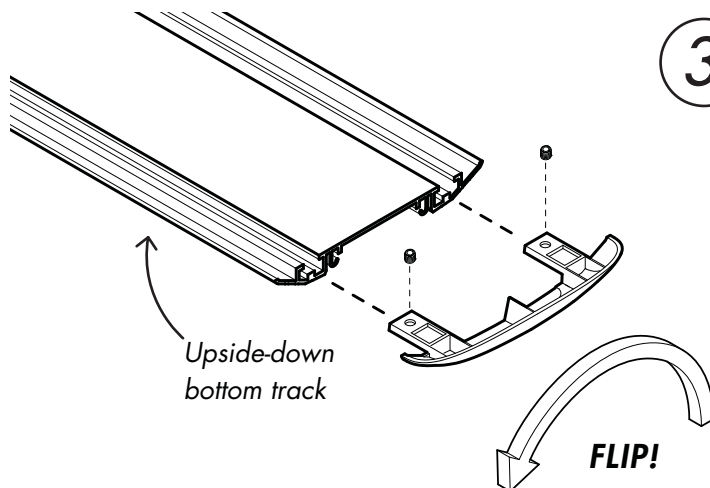
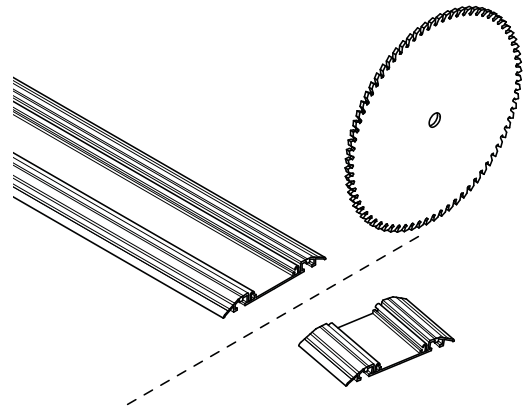


1 CUT A 1" x 2" HOLE IN WALL
This opens the path for cables to go from the wireway into the wall.

TIP!
Our optional Rough-In Box can be installed **before** drywall to help make this step easier.

2 MEASURE AND CUT
The bottom track is usually trimmed to whatever length you need using an aluminum-cutting saw blade.

TIP!
Don't cut the top cap yet.



3 ATTACH END COMPONENT
Flip the bottom track upside down, insert the end component, and tighten the set screws.

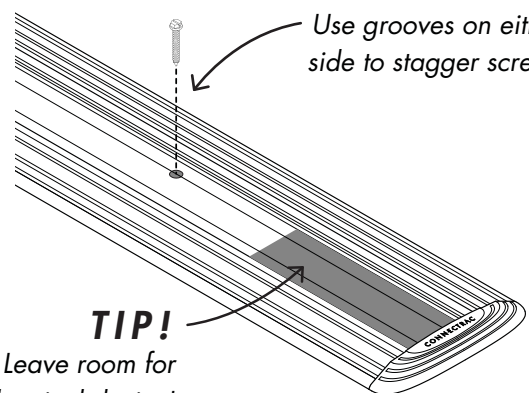
Use grooves on either side to stagger screws

A perspective diagram showing the end component being attached to the track. Two screws are being inserted into the track, one on each side of the end component. The screws are staggered to provide a secure fit.

4 FASTEN IT DOWN
Now you can screw the bottom track to the floor.

We recommend one screw every 18-24"

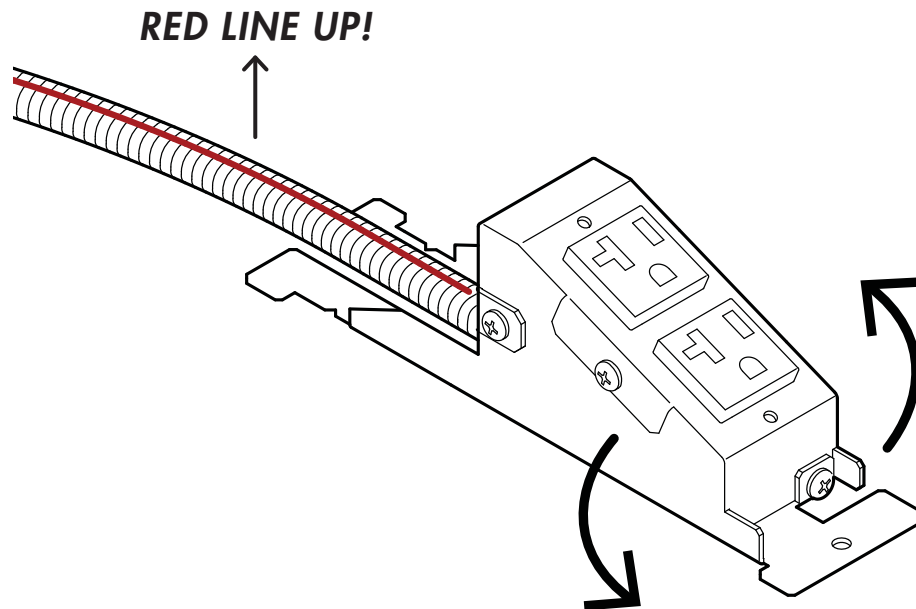
TIP!
Leave room for electrical device!



5

STRAIGHTEN AND FLATTEN CONDUIT

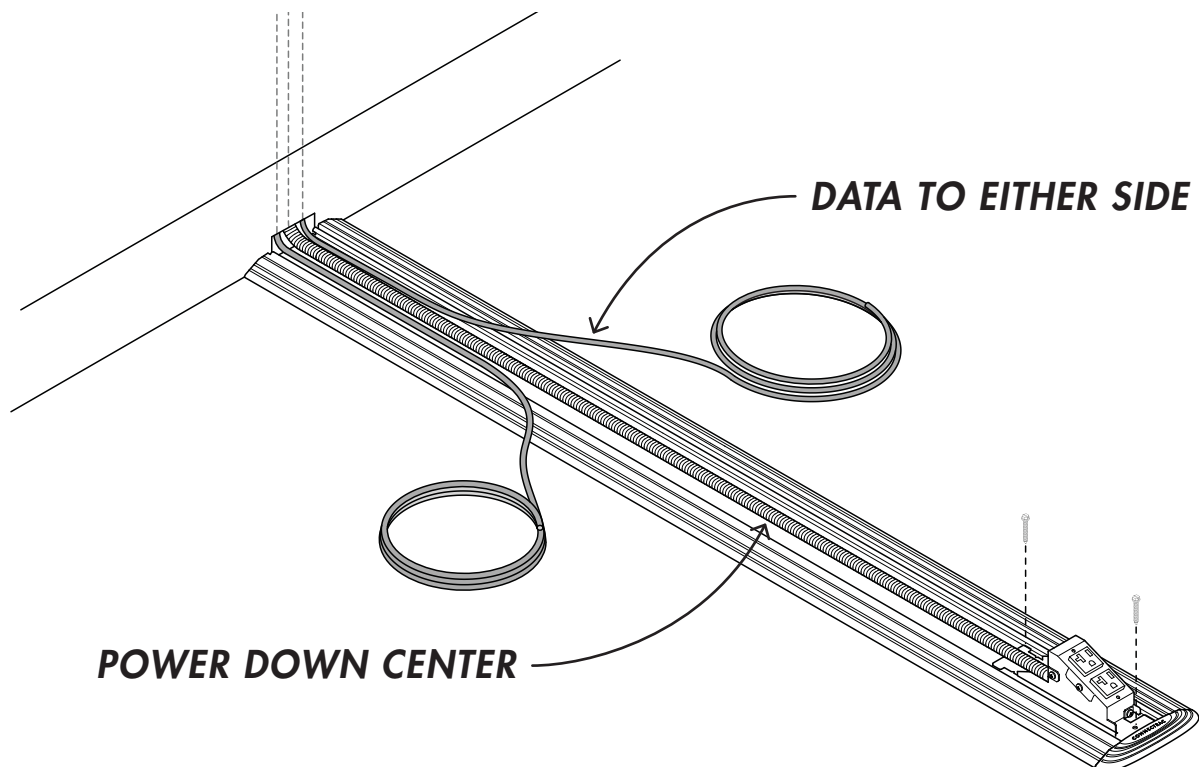
*It's important to make sure the conduit is flat and not twisting inside the wireway.
There is a red line marking the top of the conduit - make sure it's always facing up!*



6

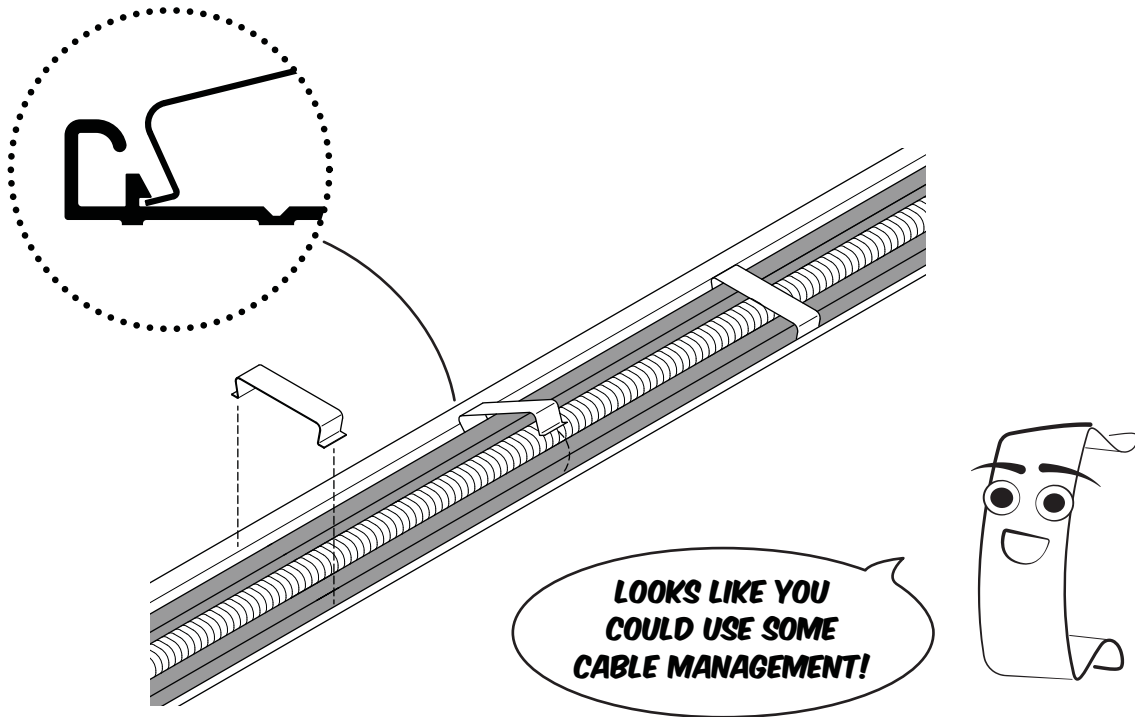
PLACE CABLING INTO WIREWAY

Once the power conduit is straight, you can fasten down the device and lay the remaining cables:



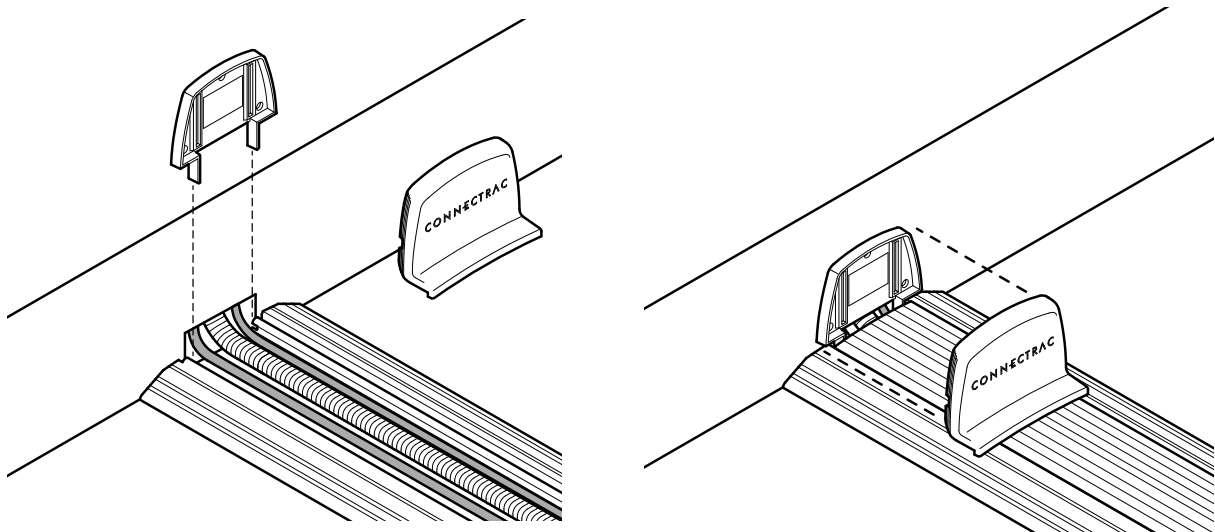
7 WIRE MANAGEMENT CLIPS

Use these clips to keep everything nice and tidy, which makes it easier to install the top cap.



8 ABOUT THAT HOLE IN THE WALL

The **optional** Wall Base Trim covers it up:



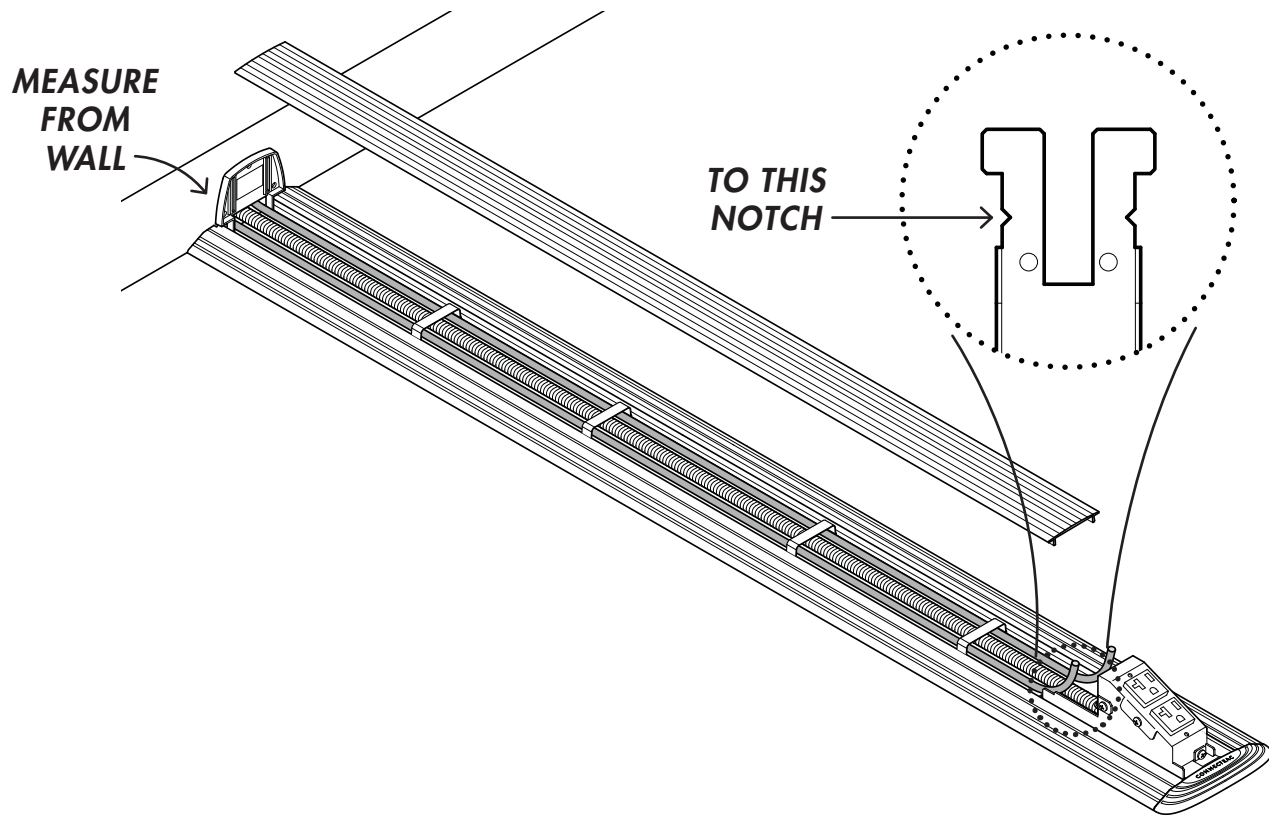
First use mounting tape to stick the backplate against the wall base, making sure to align the legs in the aluminum bottom track

The frontplate can snap onto the backplate after the top cap is installed in the next step.

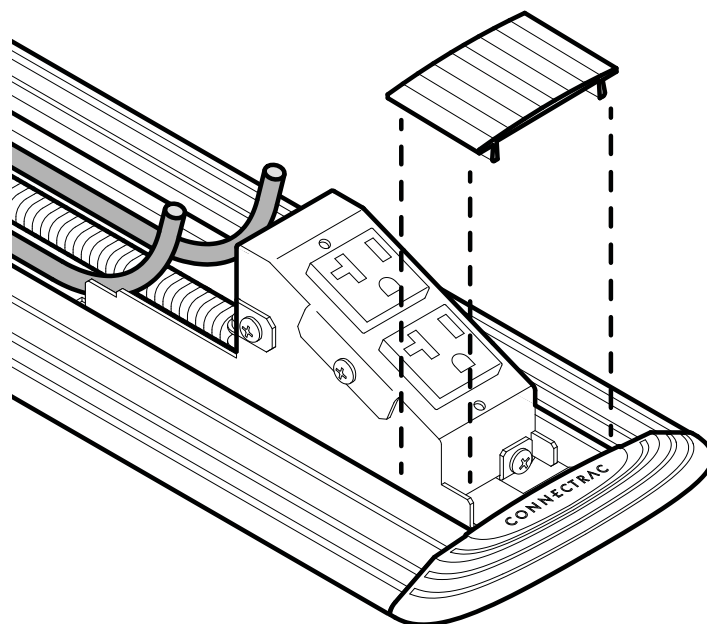
9

TRIMMING / INSTALLING THE TOP CAP

The top cap needs to be trimmed in two pieces. First measure between the wall and the metal notch on the device:



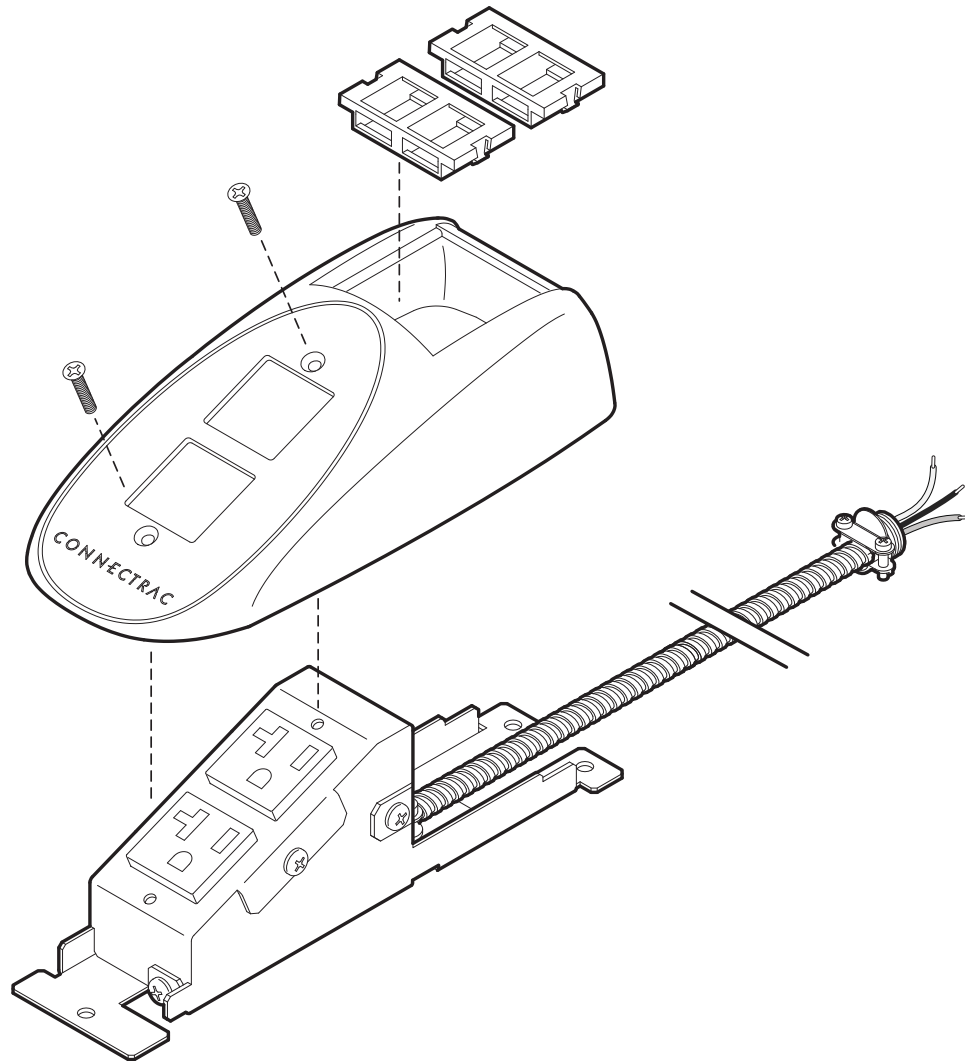
Next install a small piece of cap to cover the wireway on the other side:



10

INSTALLING DUPLEX DEVICE COVER

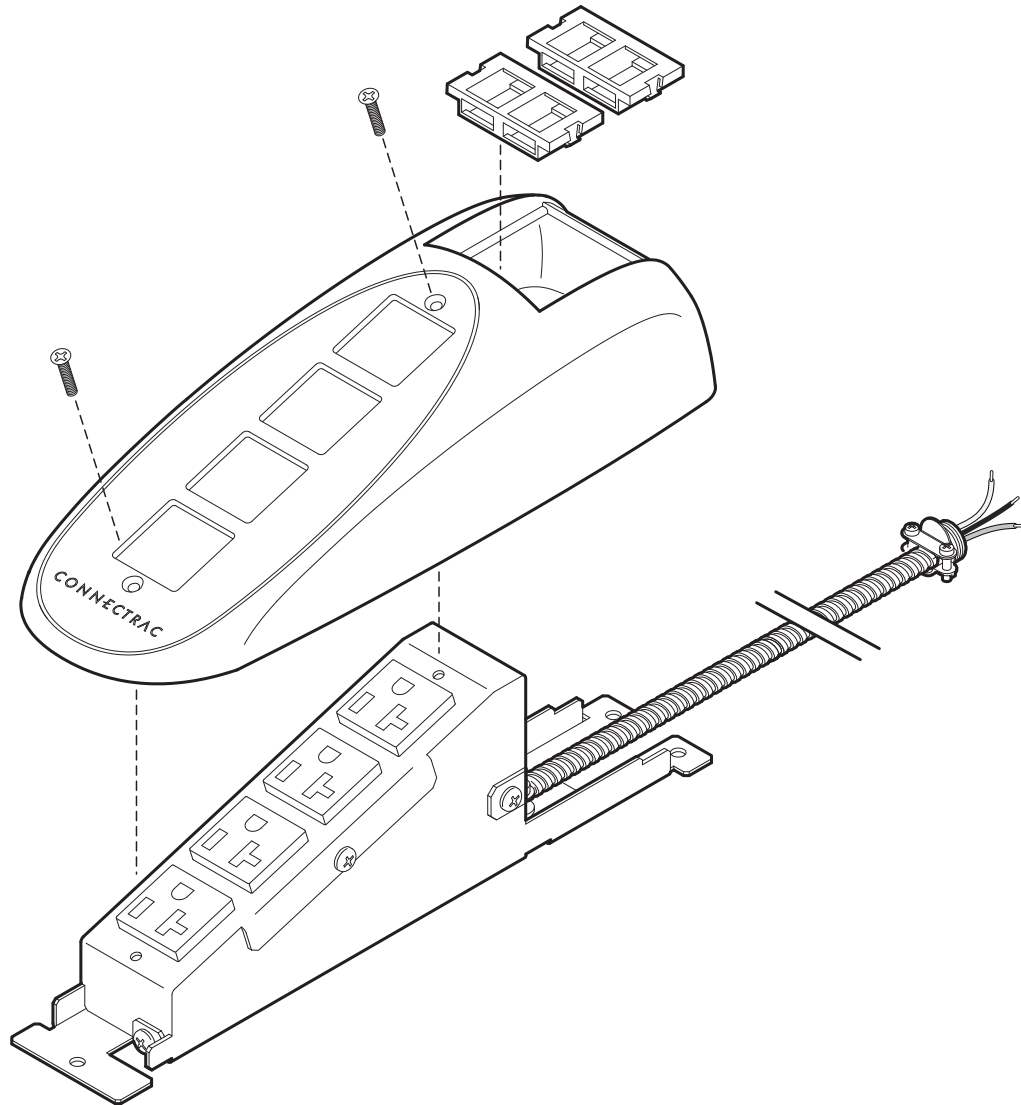
The last step is to terminate any data cabling, and fasten the plastic cover to the electrical device. See the next page for more information on the quad electrical device.



10

INSTALLING QUAD DEVICE COVER

The last step is to terminate any data cabling, and fasten the plastic cover to the electrical device.

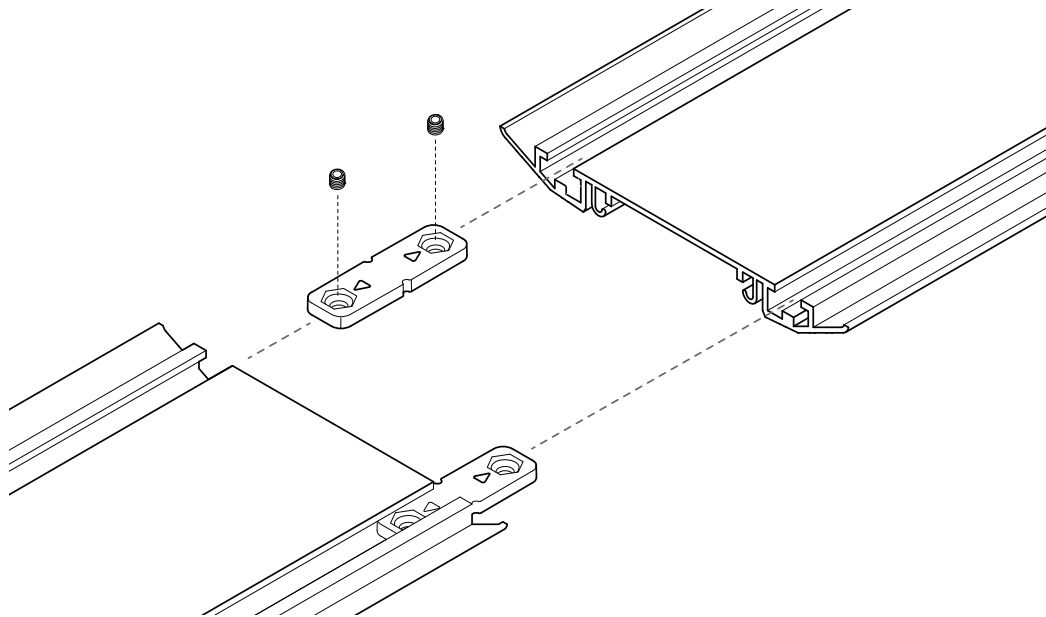


TECHNIQUES FOR JOINING SEGMENTS

1

USE INCLUDED COUPLERS

Insert as shown, then tighten set screws.



2

STAGGER THE BOTTOM TRACK AND THE TOP CAP

Offset the bottom track joints from the top cap joints. This helps strengthen the assembly.

