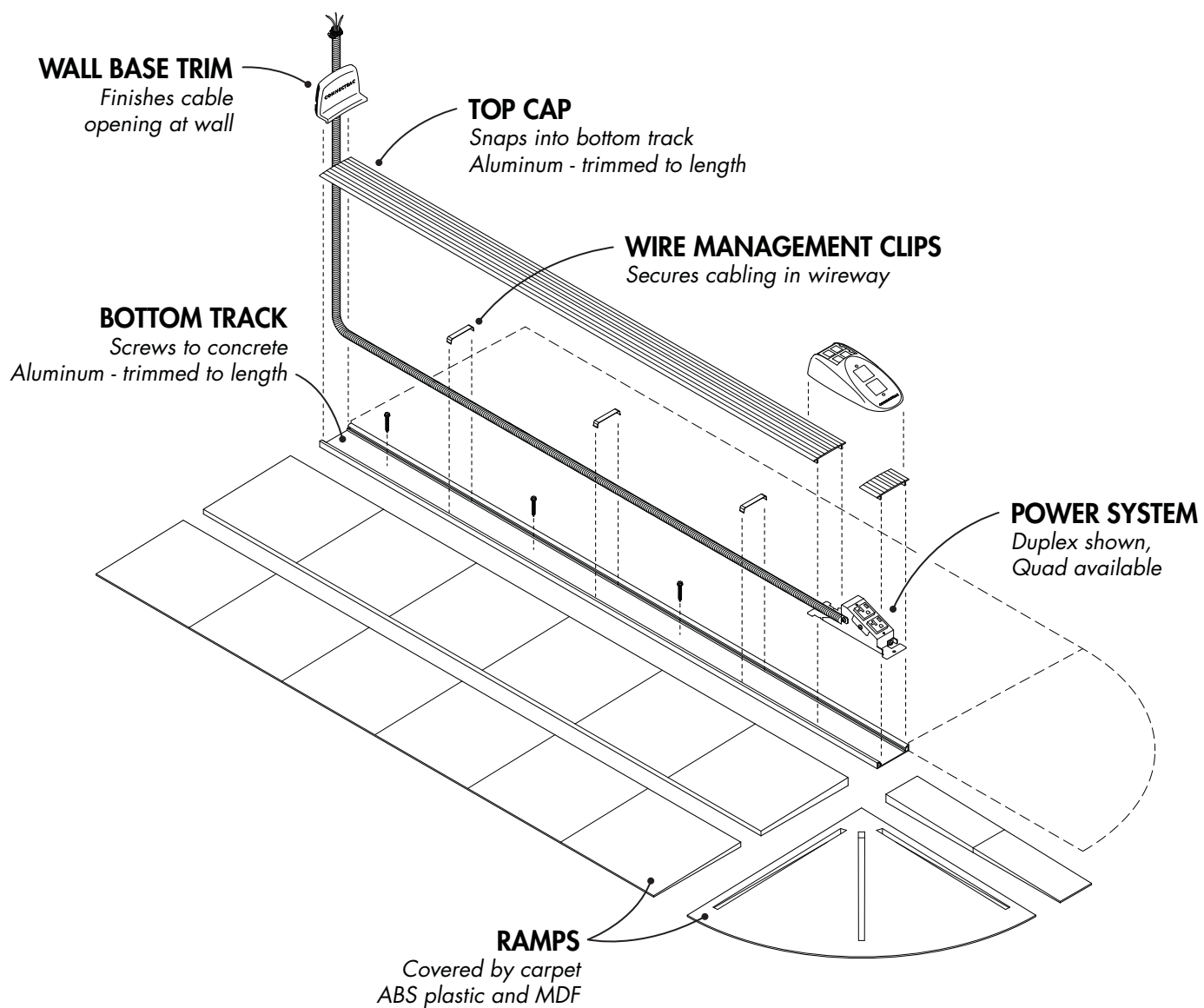


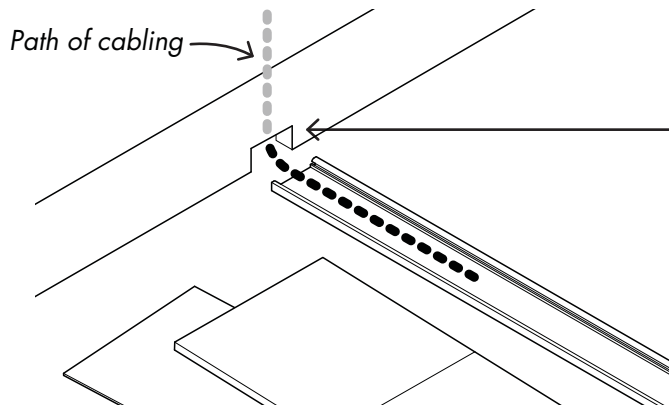
## UNDER-CARPET WIREWAY INSTALLATION GUIDE

These components are typical for each wireway installation:



# INSTALLATION BASICS

Before you start, remove all carpet from the area where you will install the Connectrac.



## 1 CUT A 1" x 2" HOLE IN WALL

This opens the path for cables to go from the wireway into the wall.

### TIP!

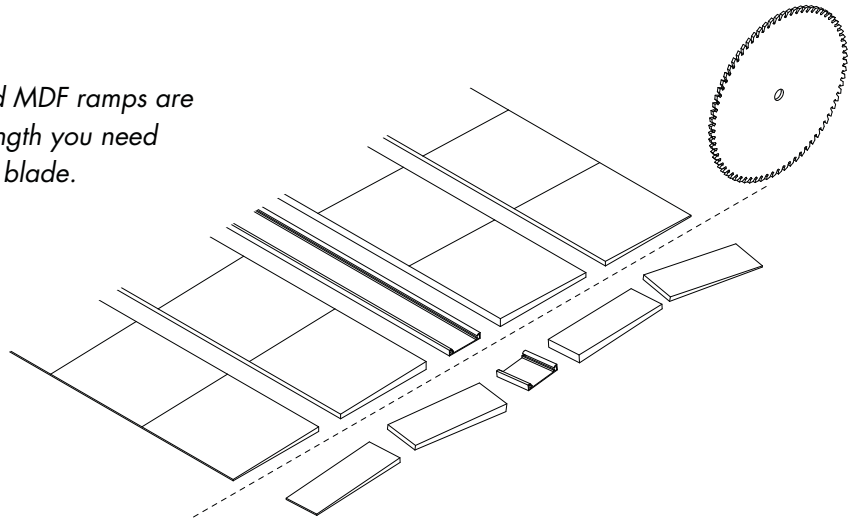
Our optional Rough-In Box can be installed **before** drywall to help make this step easier.

## 2 MEASURE AND CUT

The aluminum bottom track and MDF ramps are usually trimmed to whatever length you need using an aluminum-cutting saw blade.

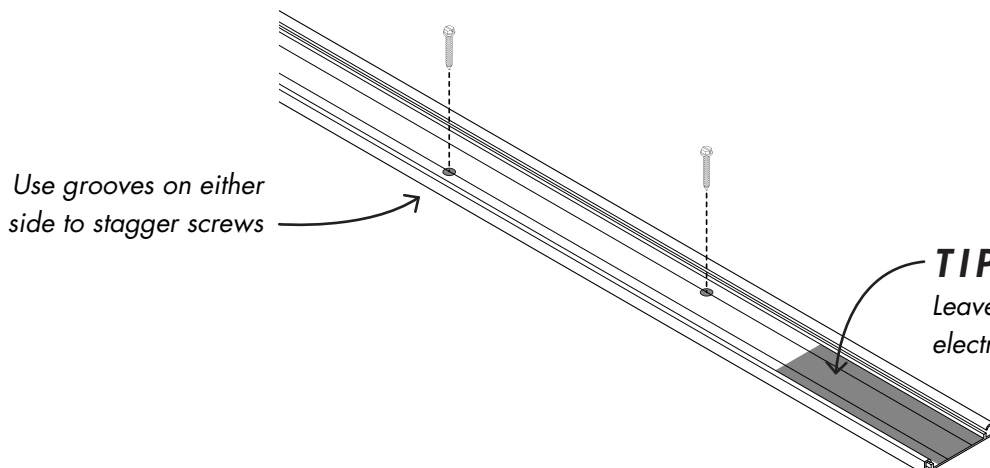
### TIP!

Don't cut the top cap yet.



## 3 FASTEN IT DOWN

Now you can screw the bottom track to the floor - we recommend screw one every 18"-24".



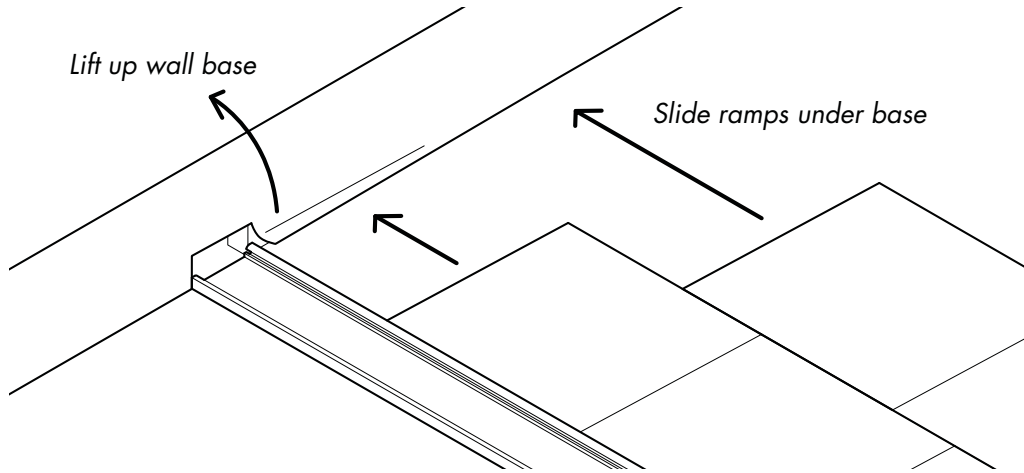
### TIP!

Leave room for electrical device!

4

### RAMP INSTALLATION

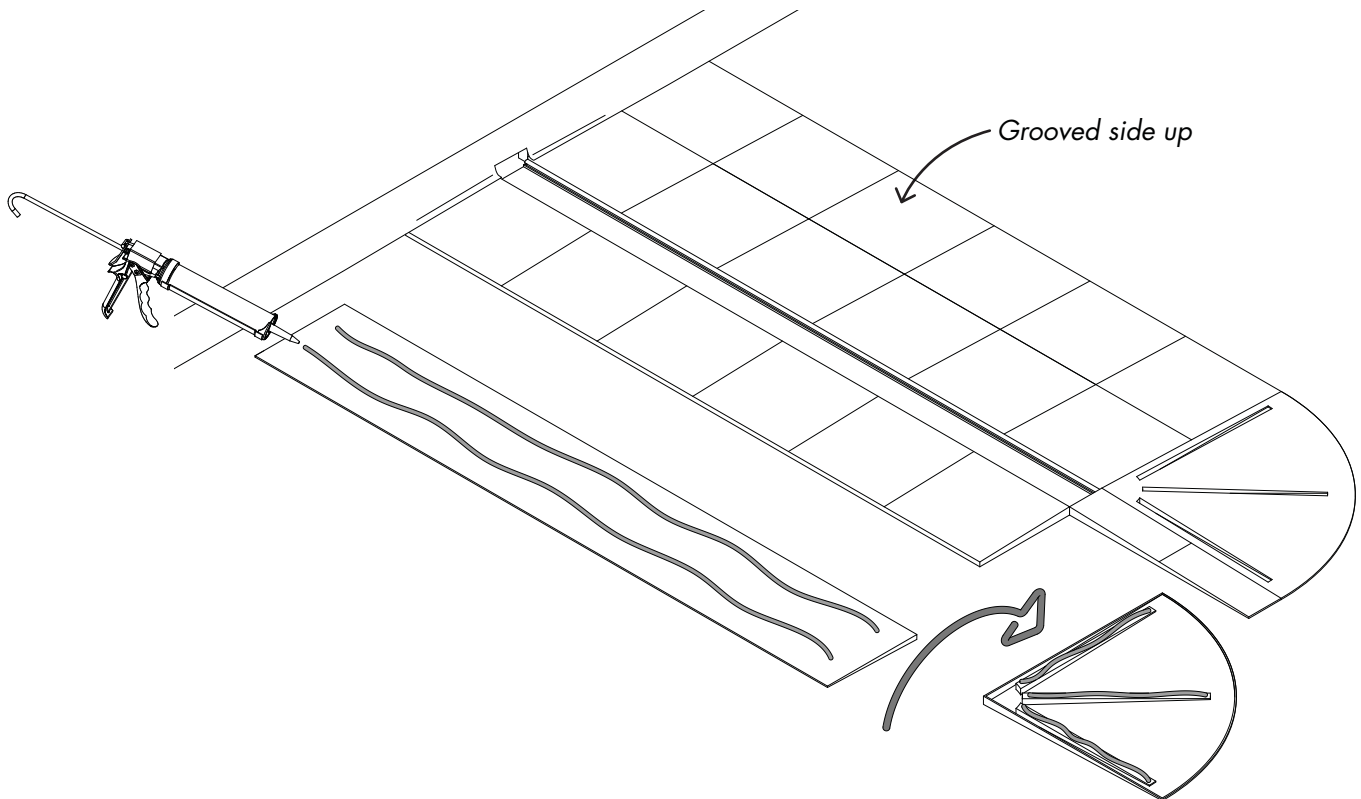
The wall base can usually be lifted up in order to install the ramps and carpet underneath. This results in a very clean Connectrac installation.



5

### GLUE DOWN RAMPS

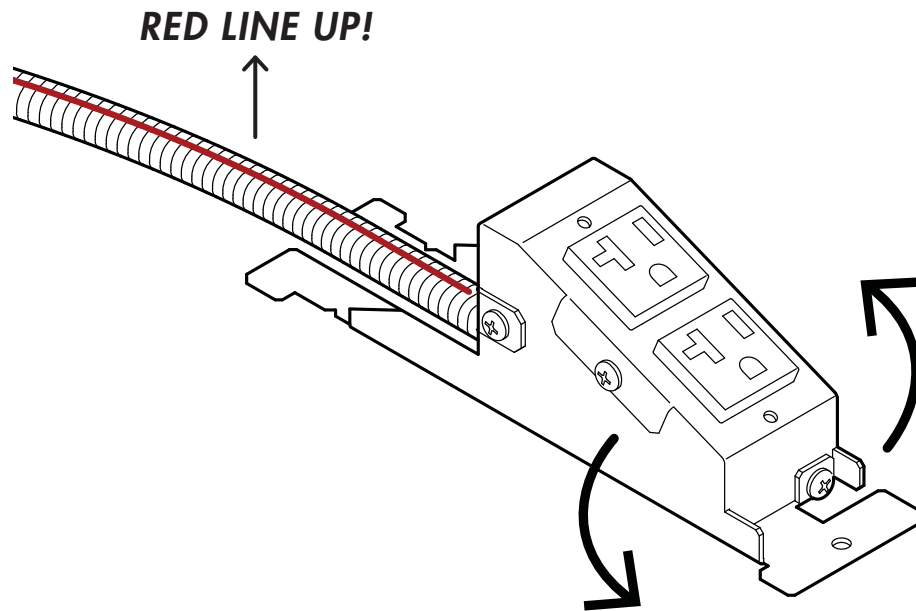
The entire ramping system is glued down around the wireway with a construction adhesive such as Liquid Nails HD:



6

### STRAIGHTEN AND FLATTEN CONDUIT

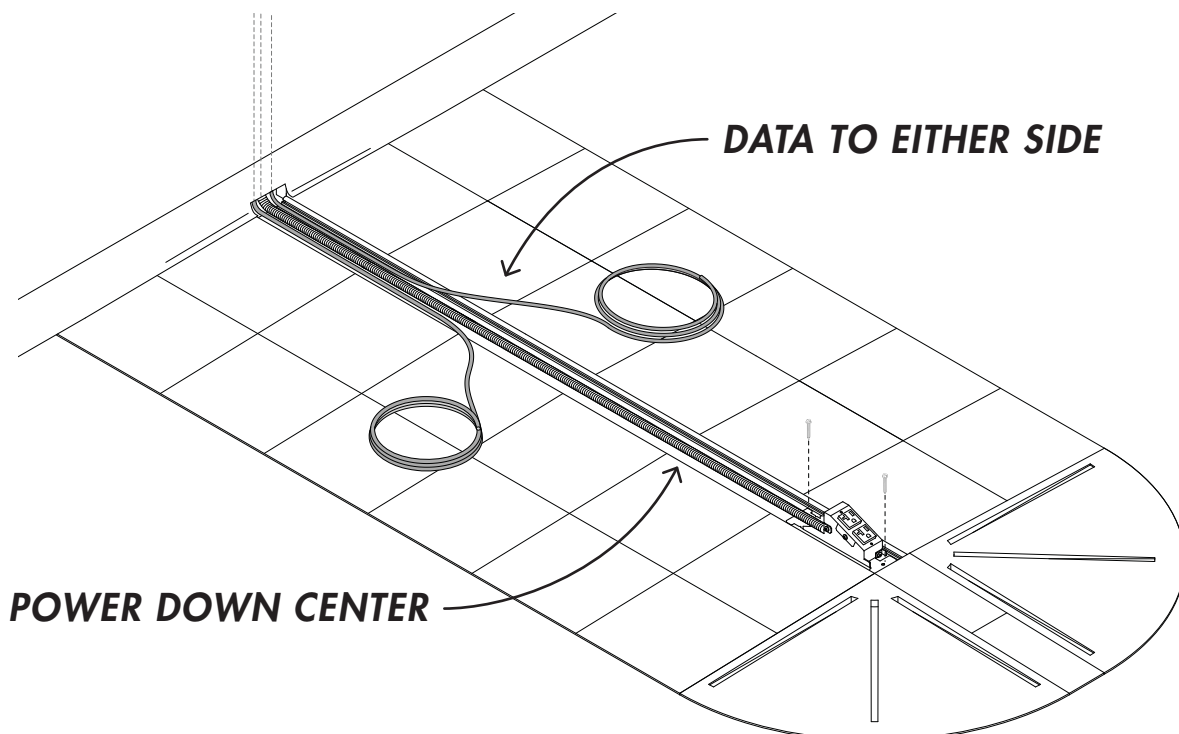
*It's important to make sure the conduit is flat and not twisting inside the wireway.  
There is a red line marking the top of the conduit - make sure it's always facing up!*



7

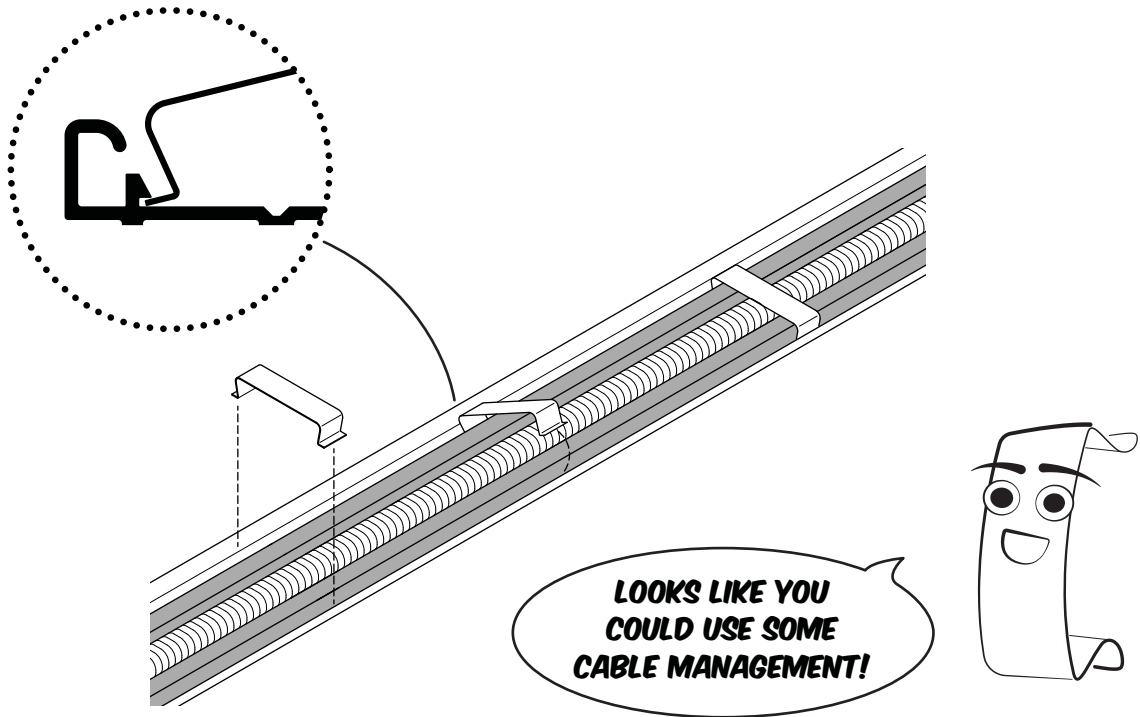
### PLACE CABLING INTO WIREWAY

*Once the power conduit is straight, you can fasten down the device and lay the remaining cables:*



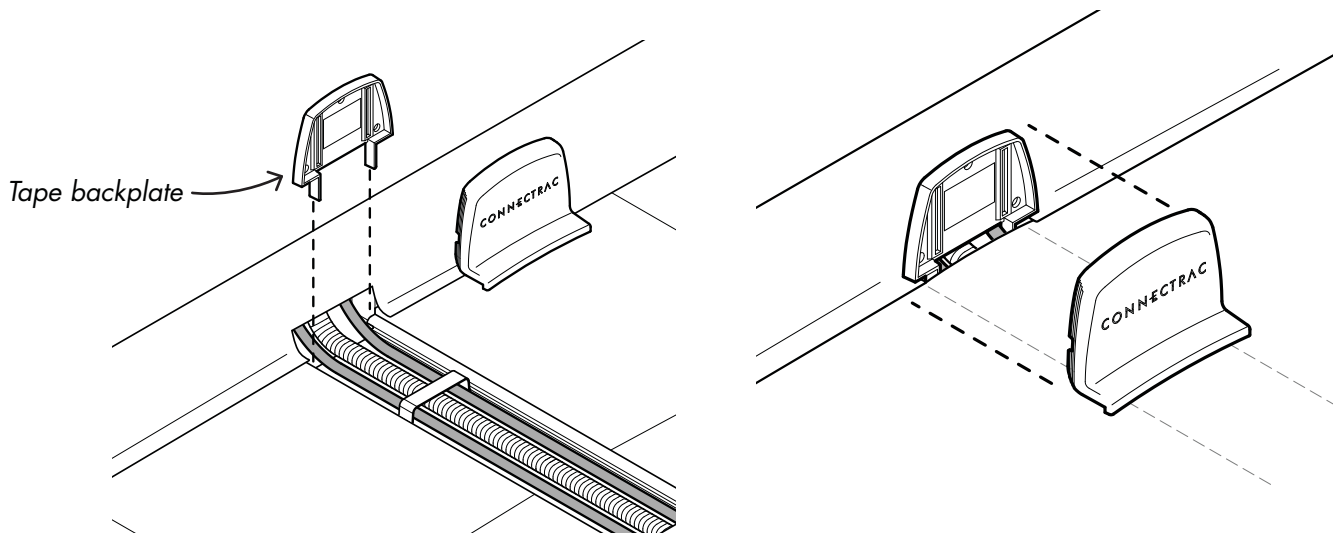
## 8 WIRE MANAGEMENT CLIPS

Use these clips to keep everything nice and tidy, which makes it easier to install the top cap.



## 9 ABOUT THAT HOLE IN THE WALL

The *optional* Wall Base Trim covers it up:



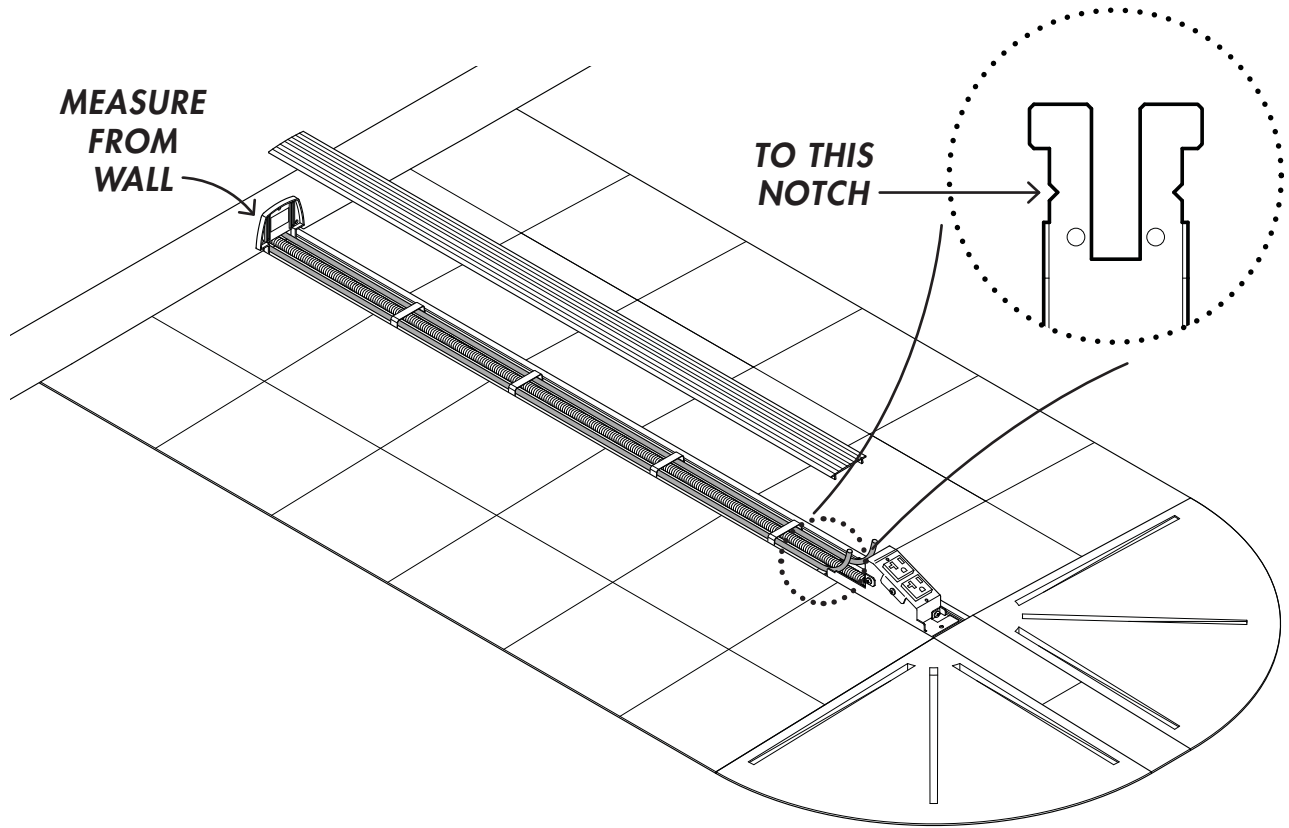
First use mounting tape to stick the backplate against the wall base, making sure to align the legs in the aluminum bottom track

After the carpet is installed, the frontplate can snap onto the backplate.

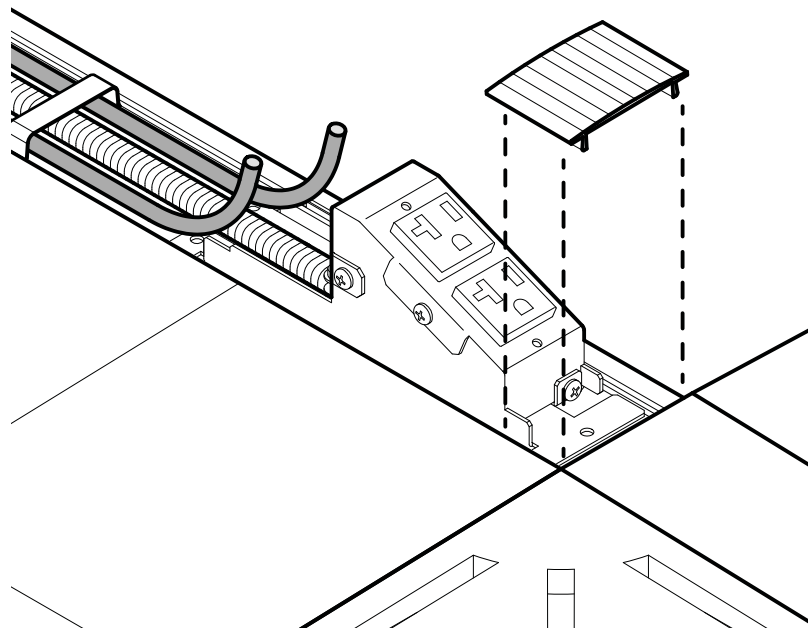
10

### TRIMMING / INSTALLING THE WIREWAY TOP CAP

The top cap needs to be trimmed in two pieces. First measure between the wall and the metal notch on the device:



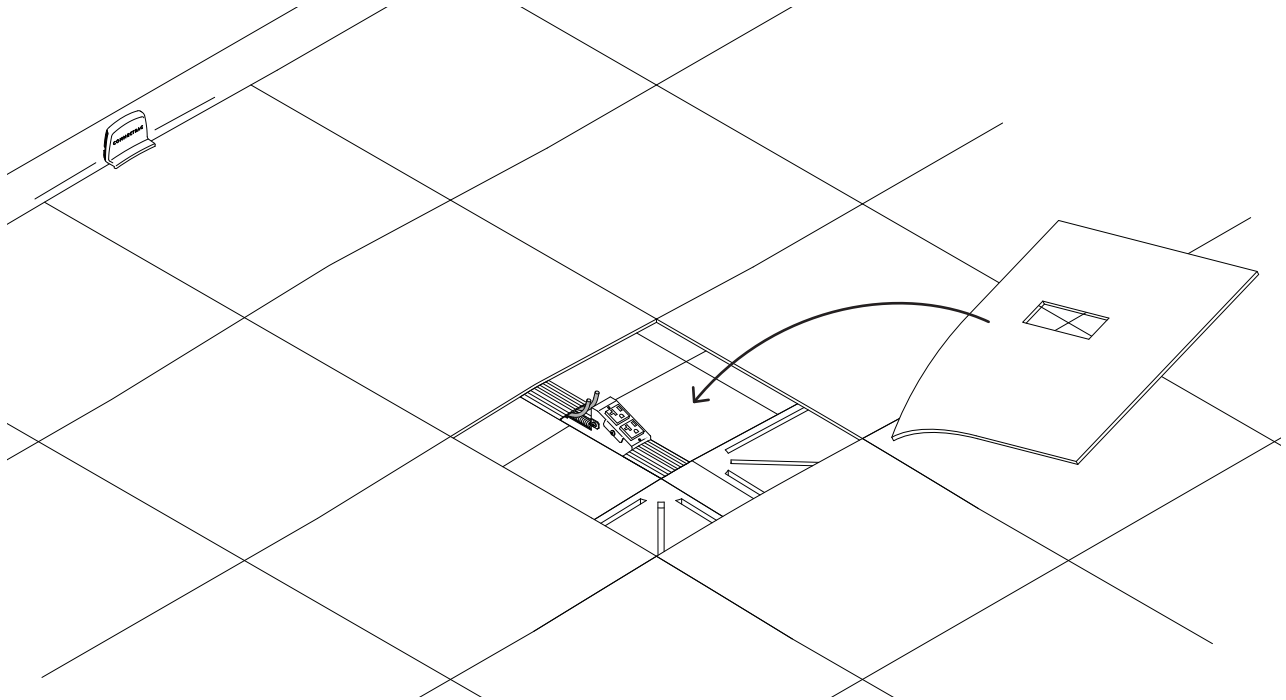
Next install a small piece of cap to cover the wireway on the other side:



11

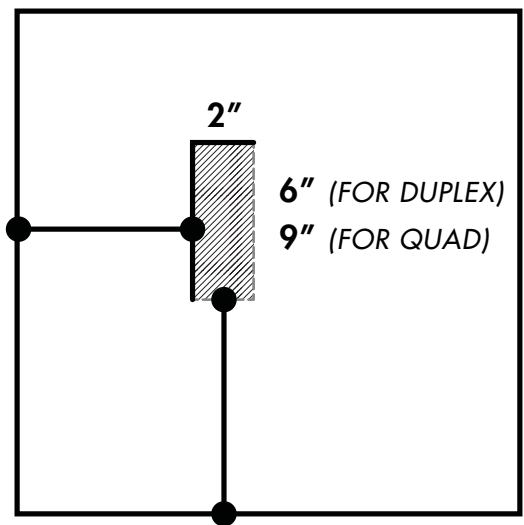
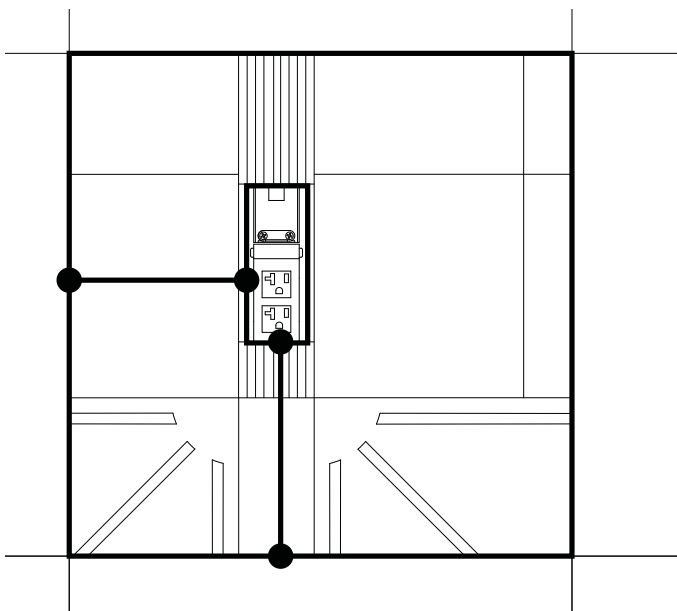
## INSTALLING CARPET

Install carpet tile as you normally would, trimming around the device:



Measure from the carpet to the edge of the device on two sides:

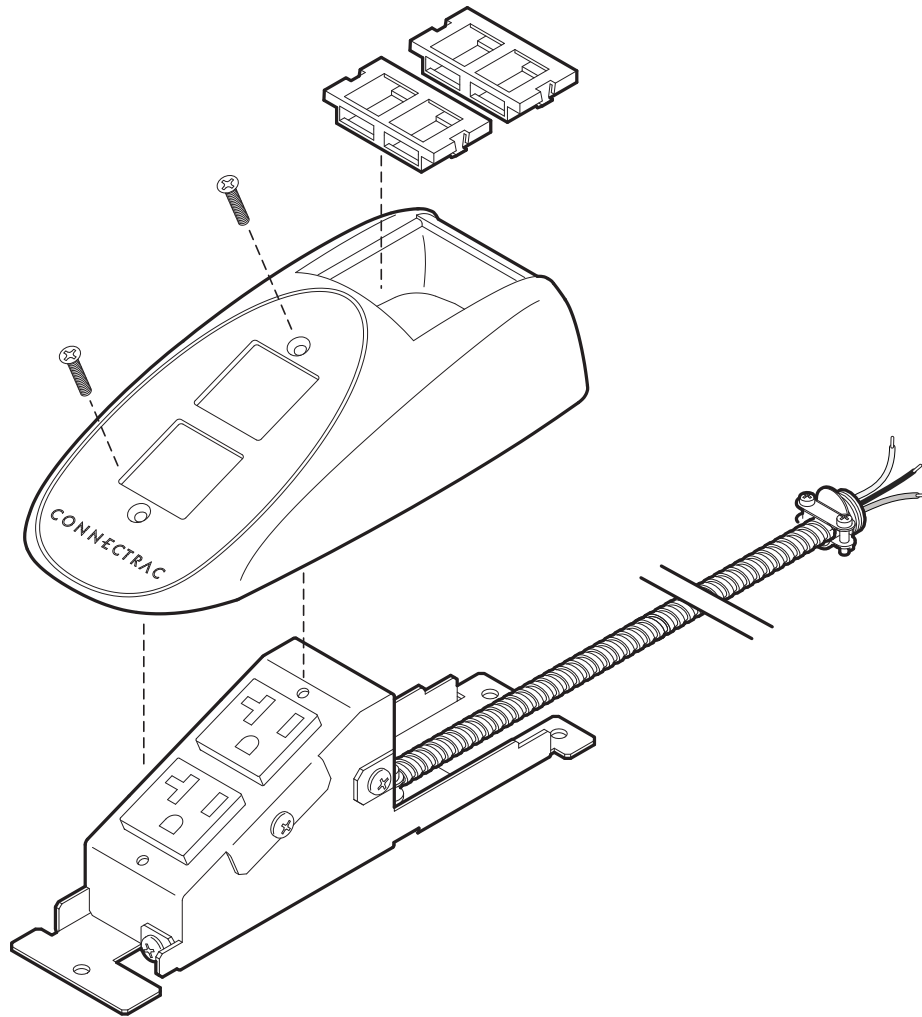
Then transfer those measurements to your carpet and cut a hole for the device:



12

## INSTALLING DUPLEX DEVICE COVER

*The last step is to terminate any data cabling, and fasten the plastic cover to the electrical device. See the next page for more information on the quad electrical device.*





12

## INSTALLING QUAD DEVICE COVER

*The last step is to terminate any data cabling, and fasten the plastic cover to the electrical device.*

