

BOX MOUNTING SYSTEM

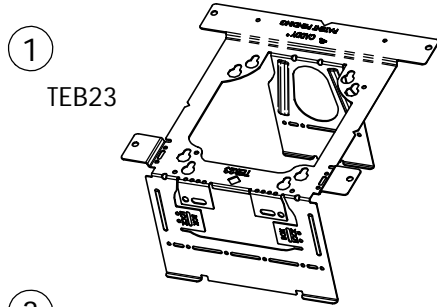
TEB23-BOX MOUNT 4" AND 4-11/16" BOXES

2-1/2", 3-5/8" STUD DEPTH

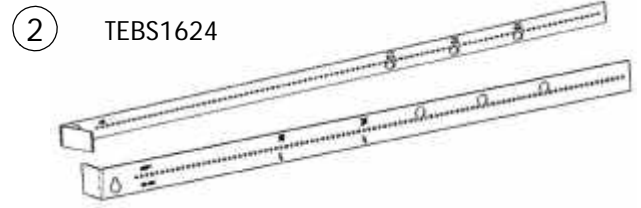
TEBS1624-MOUNTING STRAP UP TO 24" STUD SPACING

DOUBLES AS HEIGHT MEASURING DEVICE

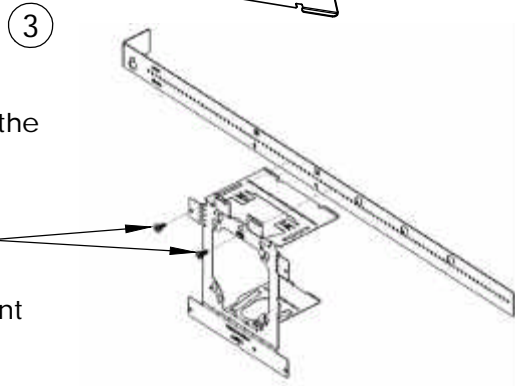
PART NUMBER	DESCRIPTION
TEB23	BOX MOUNTING BRACKET
TEBS1624	SUPPORT STRAP/HEIGHT GAGE
CER4	MC/AC CABLE SUPPORT



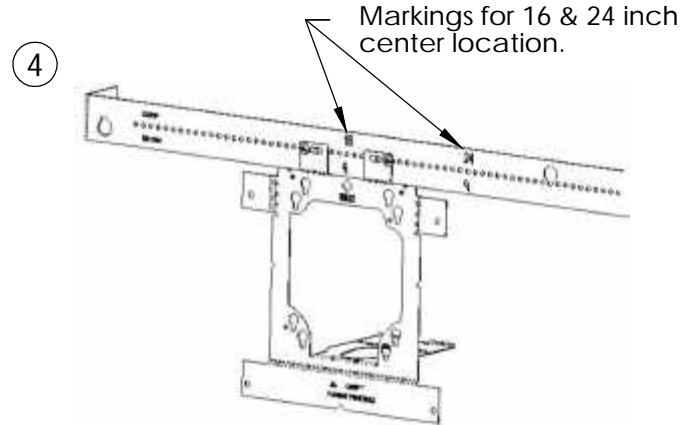
1 TEB23



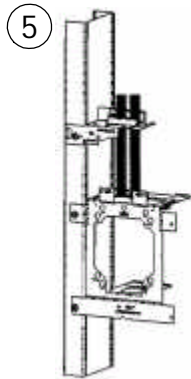
2 TEBS1624



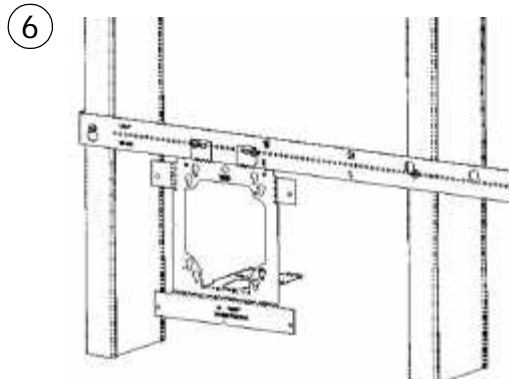
Fasten TEB23 to the TEBS1624 with 2 CADDY® part number SMS8 or equivalent screws



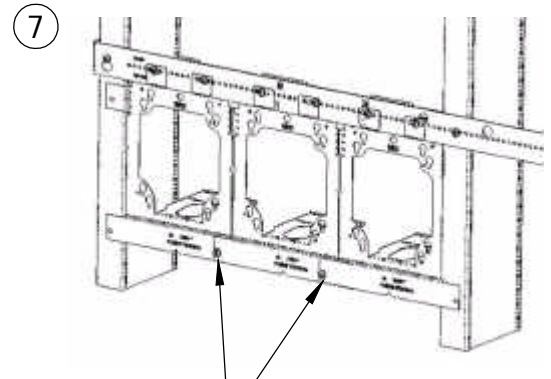
4



5



6



7

Screws Optional

WARNING:

1. ERICO products shall be installed and used only as indicated in ERICO product instruction sheets and training materials. Instruction sheets are available at www.erico.com and from your ERICO customer service representative.
2. ERICO products must never be used for a purpose other than the purpose for which they were designed or in a manner that exceeds specified load ratings.
3. All instructions must be completely followed to ensure proper and safe installation and performance.
4. Improper installation misuse misapplication or other failure to completely follow ERICO's instructions and warnings may cause product malfunction property damage serious bodily injury and death.
5. Products that are manufactured using spring steel components shall be used only in a non-corrosive indoor environment.
6. All pipe supports hangers intermediate components and structural attachments must **ONLY** be used as described herein and are **NEVER** to be used for any other purpose.

NOTE: All load ratings are for static conditions and do not account for dynamic loading such as wind water or seismic loads unless otherwise noted.

The customer is responsible for:

- a. Conformance to all governing codes.
- b. The integrity of structures to which the products are attached including their capability of safely accepting the loads imposed as evaluated by a qualified engineer.
- c. Using appropriate industry standard hardware as noted above.

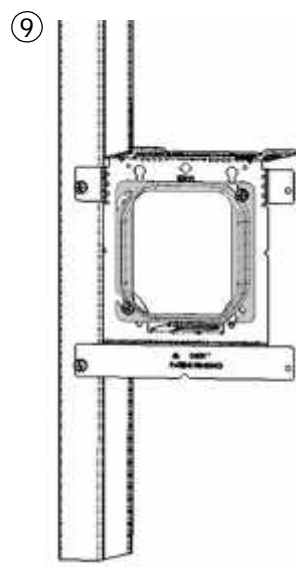
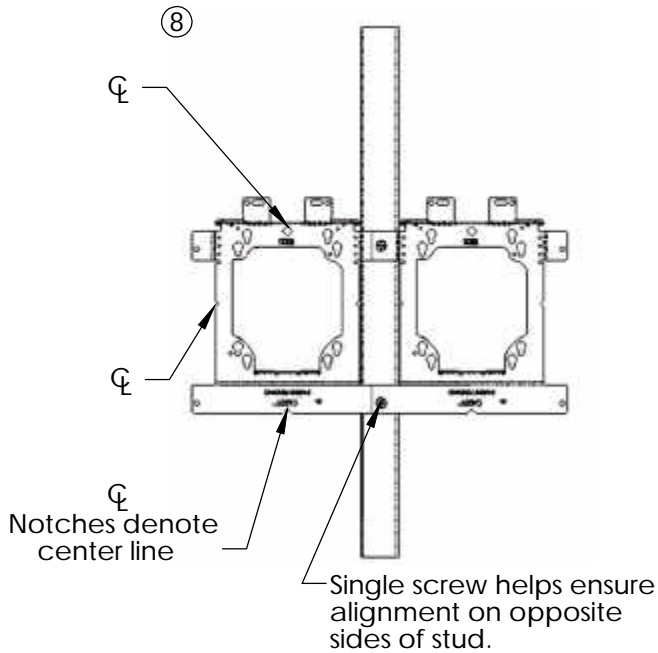
SAFETY INSTRUCTIONS:

All governing codes and regulations and those required by the job site must be observed. Always use appropriate safety equipment such as eye protection hard hat and gloves as appropriate to the application.

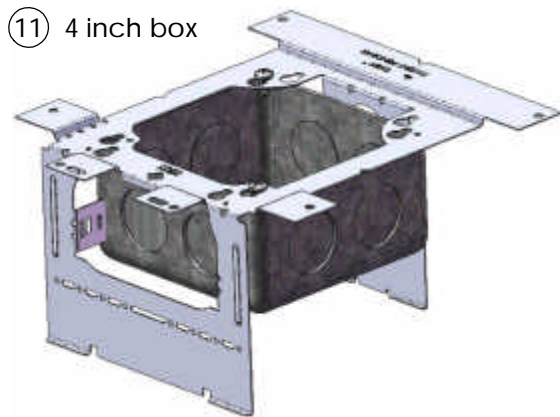
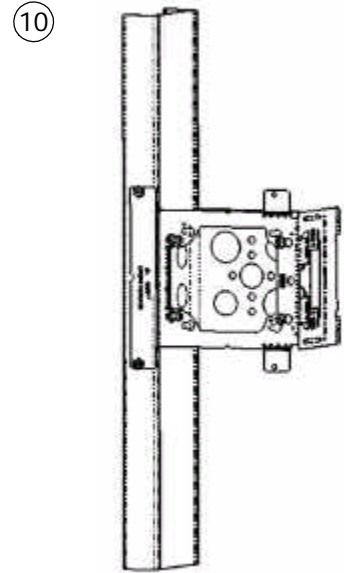


CADDY, CADWELD, CRITEC, ERICO, ERIFLEX, ERITECH, and LENTON are registered trademarks of ERICO International Corporation.

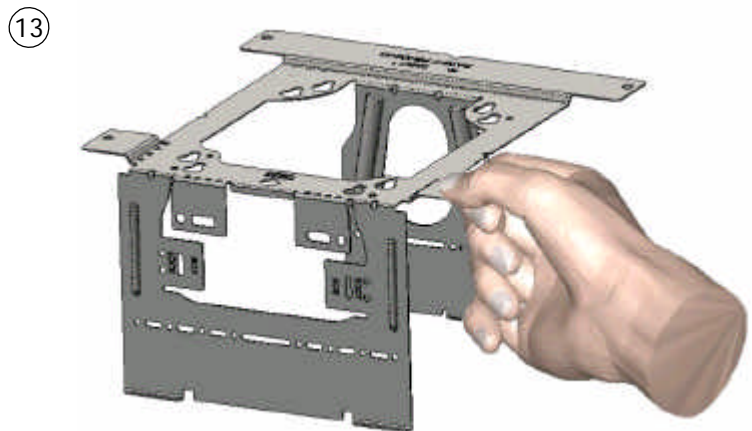
TEB23



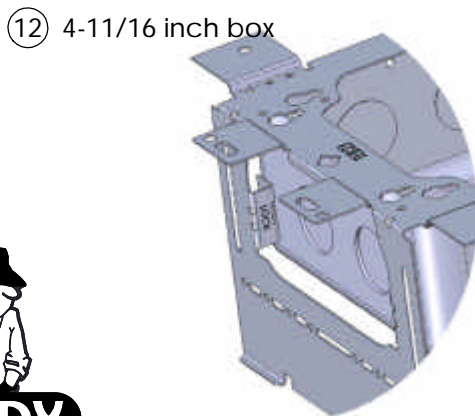
For low voltage application



Bend box lock tabs to retain boxes with out using plaster ring/ screws if desired.



Bend down for application



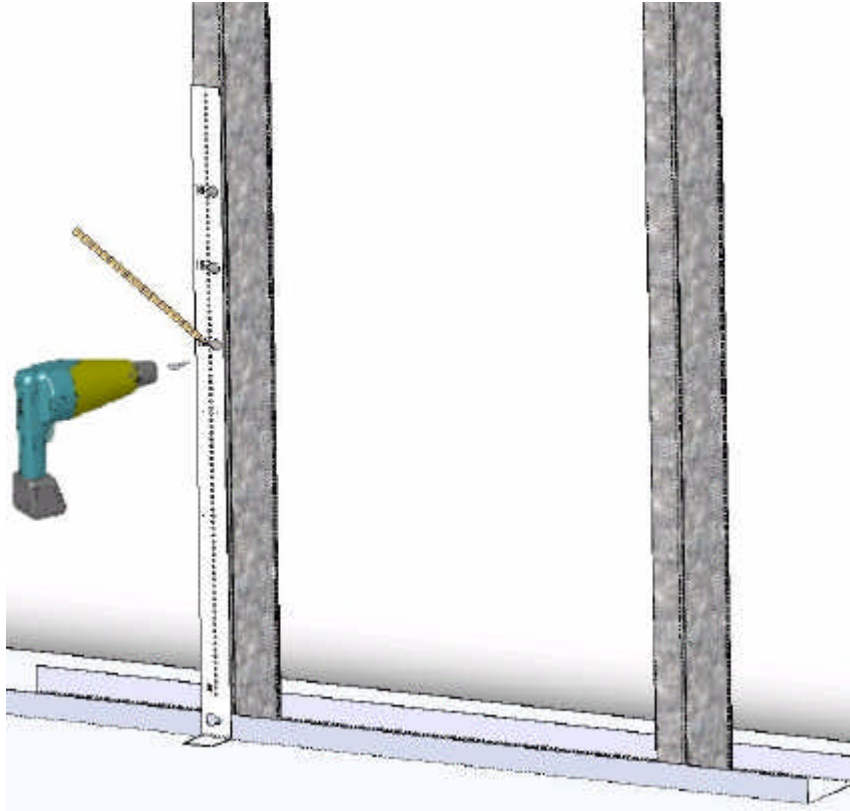
APPLICATION
 4 inch square box
 4 -11/16 inch box
 Canadian mounting
 Mud ring : Low voltage
 Bend tabs for use with 2-1/2 inch stud



TEBS1624

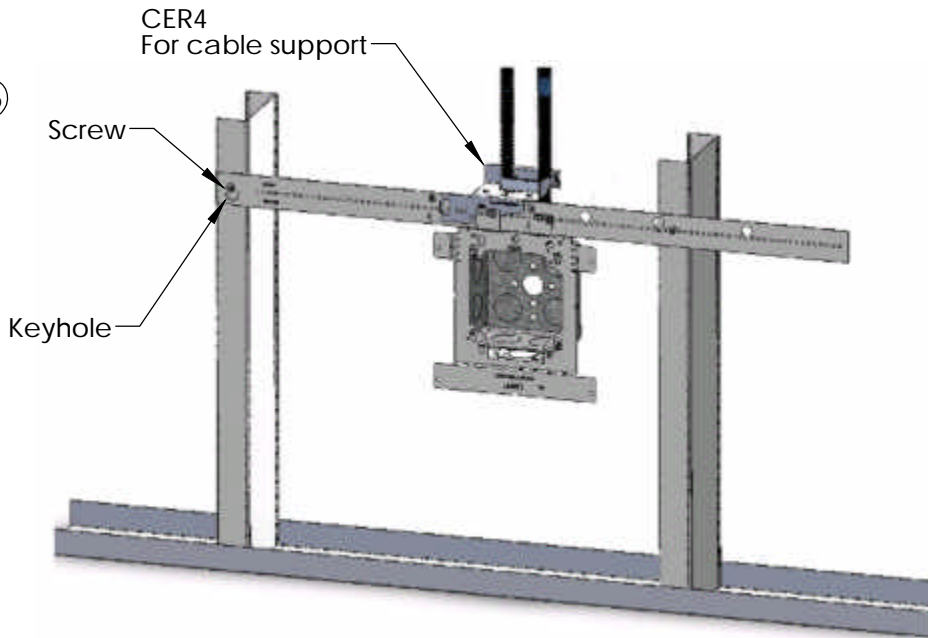
15

Select height
insert screw
in keyhole



16

Flip bar over
hang from
keyhole on screw

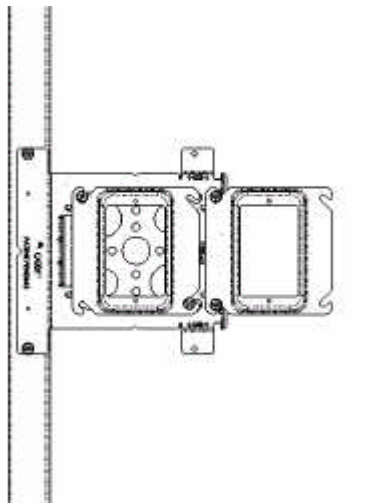


BOX MOUNTING SYSTEM

TEB23

TEBS1624

CER4



This application for low voltage class 2 installation only. Do not attach box to out board plastic ring. Attach plaster ring with 2 CADDY® part number SMS8 or equivalent screws.

8 9 10

Mounts 4 inch or 4-11/16 inch electrical boxes or plaster rings for low voltage applications.

Fits 2-1/2 inch and 3-5/8 inch deep studs.

Designed with two far-side supports for added stability.

Feet on the far-side supports help prevent damage to the drywall.

17 18

Easily identify mounting location of electrical boxes.
Round keyholes for 4-11/16 inch boxes and octagonal keyholes for 4 inch boxes.

Has mounting tabs on all four sides.

9 10

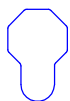
Box locking tabs securely lock electrical boxes in place to prevent disassembly during handling.

11 12

Patent pending design.

Use CADDY® part number SMS8 or equivalent.

17 18



FOR 4" SQUARE BOXES



FOR 4-11/16" SQUARE BOXES

