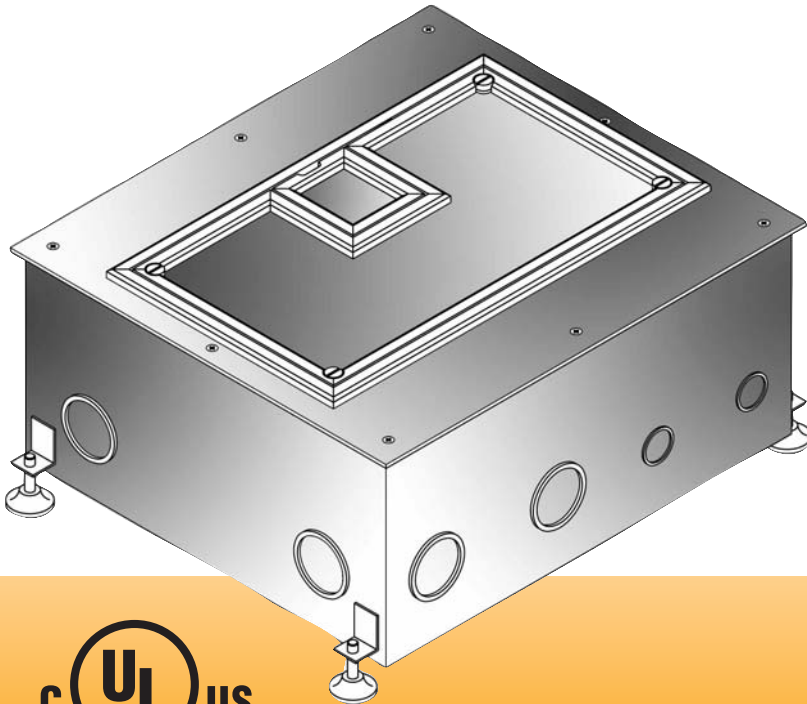


FL-600P Floor Box

FSR

Metal Products Group



- 11-gauge steel temporary construction cover
- 11-gauge finished steel cover with carpet edging
- Mitered brass or aluminum carpet edging .25" high in beveled or square profiles
- Stainless steel compression latches
- Fold back cable exit
- Lift-off full access door
- 1" or 1.25" knockouts
- Leveling feet



Scrub water approved for carpet, tile, and wood floors!

DESCRIPTION

The FL-600P floor box is designed for conference rooms, auditoriums, courtrooms, churches and all general meeting space with carpeted floors over concrete. This floor box handles power, audio, video, telecommunications and data in one elegant and practical box.

The FL-600P is not only UL and CUL Listed but has also passed the latest UL test for scrub water. Because of FSR's unique engineering and manufacturing ability, FSR boxes passed for carpeted floors as well as tile and wood!

The lift-off section of the cover allows full access to internal connector plates and stored cables, and the smaller hinged cable access door flips back to create the cable exit. When the box is not in use, the box is completely closed allowing unencumbered travel in the area with only the hand-mitered, elegant carpet edge visible. The low profile edging is 1/4" high and is available in brass or aluminum.

Inside the box are two angled brackets which handle standard size plates — 2 single, 1 triple, 1 six gang opening. All are isolated for maximum safety. The FL-600P is designed to handle the rigors of a floor environment and still maintains flexibility and elegance.

Note: If your application requires contact with grade (soil or gravel) please use the FSR pour pan.

SPECIFICATIONS

Size:	Box:	13.5" x 12" x depth
	Cover:	14" x 12.5" x .125"
Edging:	Height:	.25"
	Material:	Brass or Aluminum
Weight:	Box:	20.5 lbs.
	Cover:	10 lbs.
Knockouts:	Fourteen:	either 1" or 1.25"
	Four:	either .75" or .5"

ORDERING INFORMATION

FL-600P - Requires Cover and Back Box

Covers - UL Scrub Water Rated for Tile and Carpet Installations

FL-600P-BLP-C	1/4" Beveled Brass Carpet Flange (Lift off door)
FL-600P-BSQ-C	1/4" Square Brass Flange (Lift off door)
FL-600P-SLP-C	1/4" Beveled Aluminum Carpet Flange (Lift off door)
FL-600P-SSQ-C	1/4" Square Aluminum Flange (Lift off door)
FL-600P-PLP-GRY-C	1/4" Painted Carpet Flange - Gray (Lift off door)
FL-600P-PLP-CLY-C	1/4" Painted Carpet Flange - Clay (Lift off door)

Covers - Not Scrub Water Rated (Non UL)

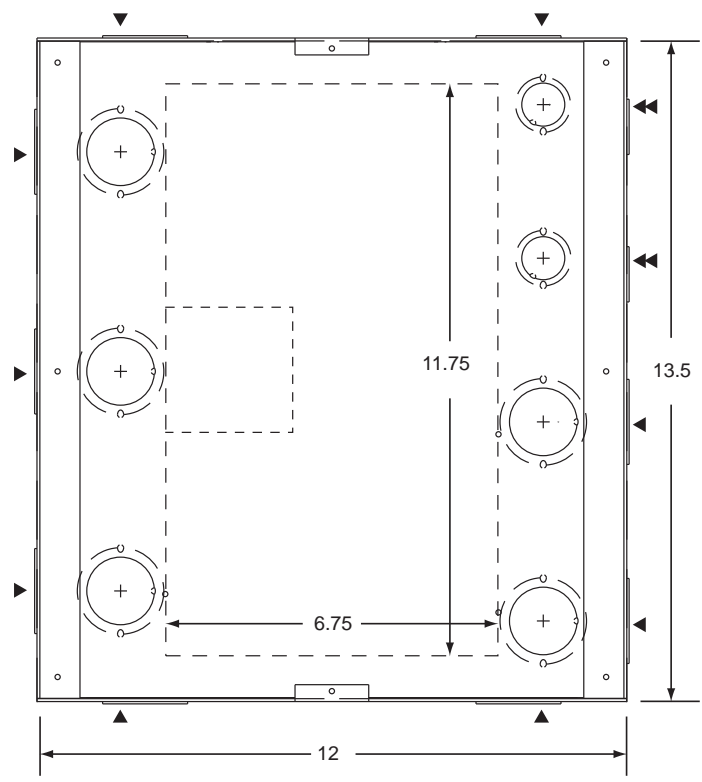
FL-600P-BLK-C	(No Flange) With Hinged Door in Black Sandtex
FL-600P-OAK-C	(No Flange) With Hinged Door in Lt. Oak Sandtex

Back boxes - UL Listed - Includes Steel Construction Cover

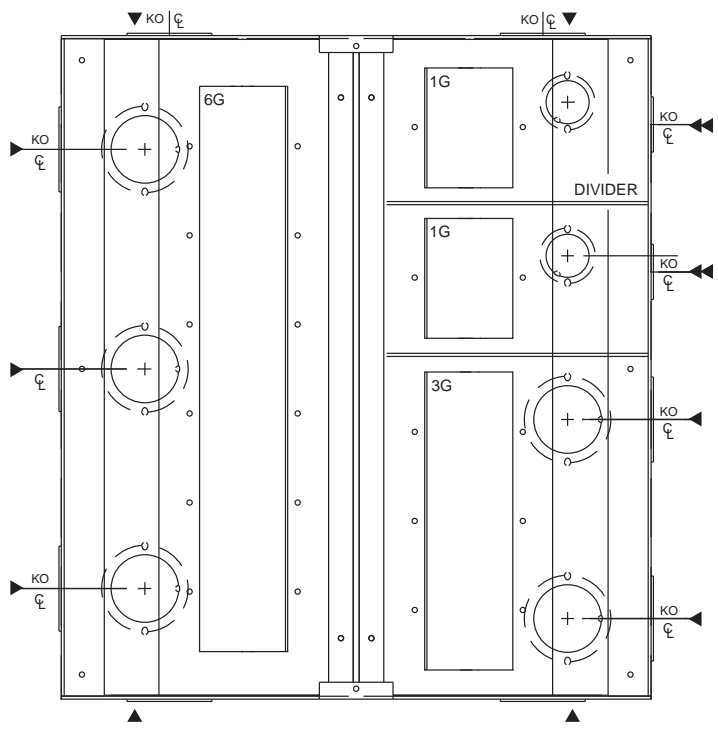
FL-600P-4	FL-600P Back Box - 4" Deep
FL-600P-6	FL-600P Back Box - 6" Deep

FL-600P INTERNAL BRACKET KNOCKOUT ARRANGEMENT

Top View With Door Location

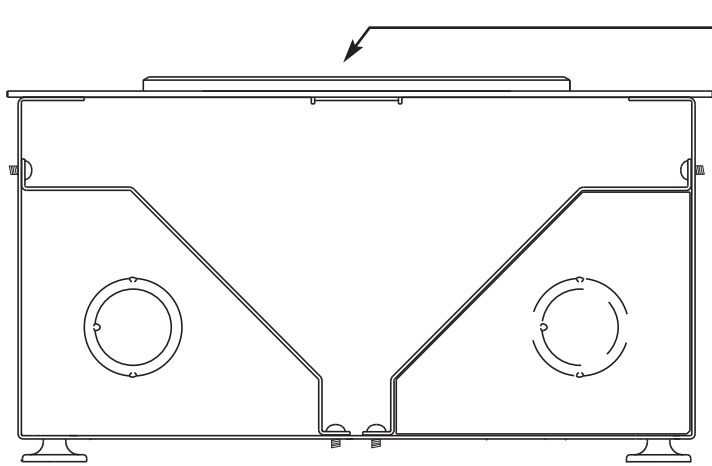


Top View With Bracket Arrangement



Note: ◀ Indicates 1" - 1 1/4" Knockout Locations
 ▶▶ Indicates 1/2" - 3/4" Knockout Locations

Side View Showing Internal Bracket Placement



The Two Internal Brackets Accommodate:
 2 - Single Gang Plates
 1 - Three Gang Plate
 1 - Six Gang Plate

Depth can be either 4 or 6"
 (consult factory for additional depths)

Scrub Water Components: FSR designed this box with stainless steel quarter turn compression latches and the highest quality 100% neoprene gasketing. Quality materials and unique engineering allowed UL to approve the box for carpet, tile and wood floors.

