

DIMENSION X		
SIZE	MINIMUM	MAXIMUM
2G	5-7/8"	6-3/8"
3G	7-11/16"	8-3/16"
4G	9-1/2"	10"

IN-WALL ELECTRICAL
OUTLET BOX

WALL CUT-OUT CENTERED
ON ELECTRICAL OUTLET BOX

FSR WALL BOX

INDUSTRY-STANDARD FACE
PLATE PROVIDED BY USER

OUTLET(S)/INTERFACE(S)
PROVIDED BY USER

1/2" MIN., 5/8" MAX.
DEPTH OF OUTLET BOX
INTERFACE MOUNTING
SURFACE FROM
WALL SURFACE

5-5/8" MIN.
6-1/4" MAX.

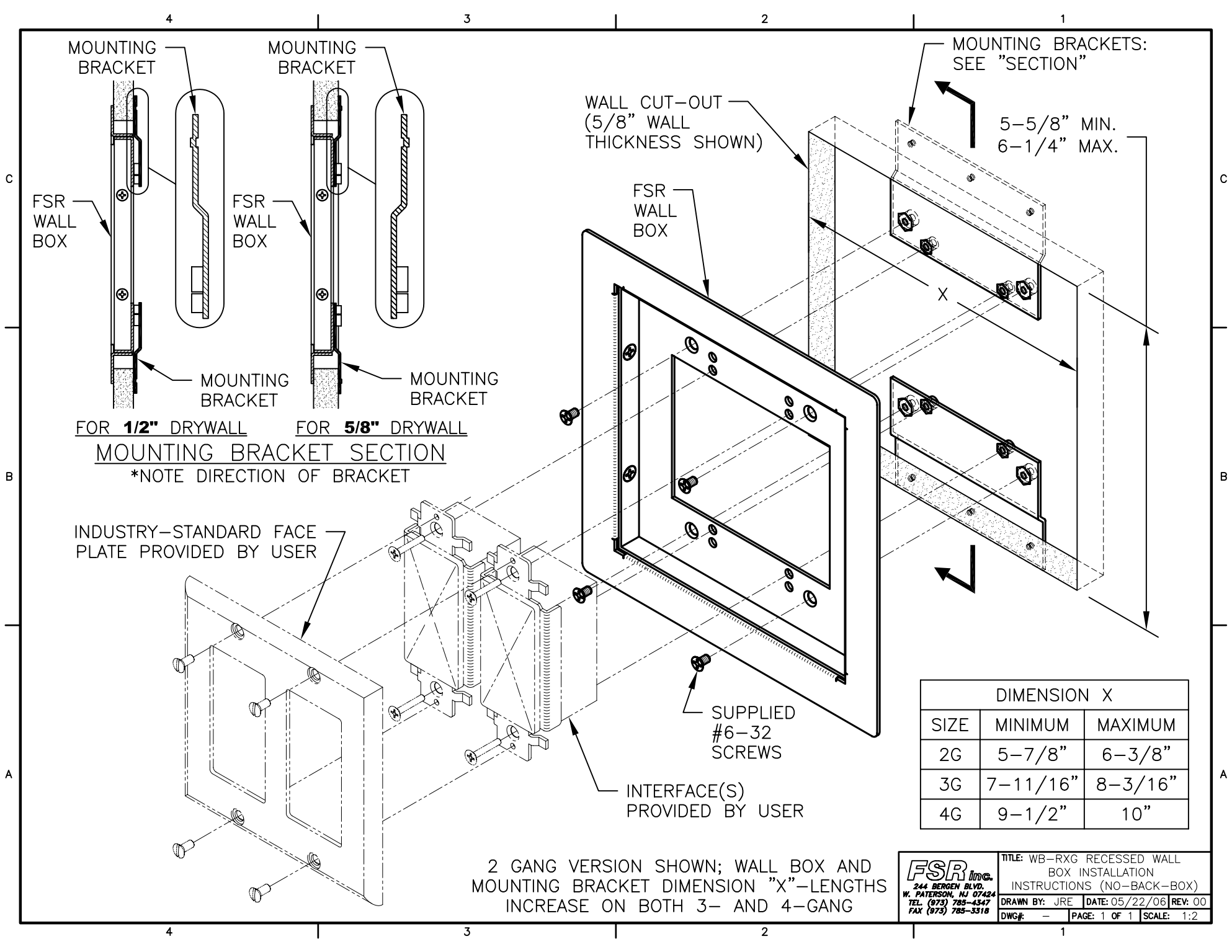
2 GANG VERSION SHOWN; WALL BOX
DIMENSION "X"—LENGTH INCREASES
ON BOTH 3- AND 4-GANG

FSR *INC.*
244 BERGEN BLVD.
W. PATERSON, NJ 07424
TEL. (973) 785-4347
FAX (973) 785-3318

TITLE: WB-RXG
RECESSED WALL BOX
INSTALLATION INSTRUCTIONS

DRAWN BY: JRE DATE: 05/22/06 REV: 00

DWG#: — PAGE: 1 OF 1 SCALE: 1:2



FOR 1/2" DRYWALL FOR 5/8" DRYWALL
MOUNTING BRACKET SECTION
 *NOTE DIRECTION OF BRACKET

DIMENSION X		
SIZE	MINIMUM	MAXIMUM
2G	5-7/8"	6-3/8"
3G	7-11/16"	8-3/16"
4G	9-1/2"	10"

2 GANG VERSION SHOWN; WALL BOX AND MOUNTING BRACKET DIMENSION "X"—LENGTHS INCREASE ON BOTH 3- AND 4-GANG

FSR *INC.*
 244 BERGEN BLVD.
 W. PATERSON, NJ 07424
 TEL. (973) 785-4347
 FAX (973) 785-3318

TITLE: WB-RXG RECESSED WALL BOX INSTALLATION INSTRUCTIONS (NO-BACK-BOX)
 DRAWN BY: JRE DATE: 05/22/06 REV: 00
 DWG#: — PAGE: 1 OF 1 SCALE: 1:2