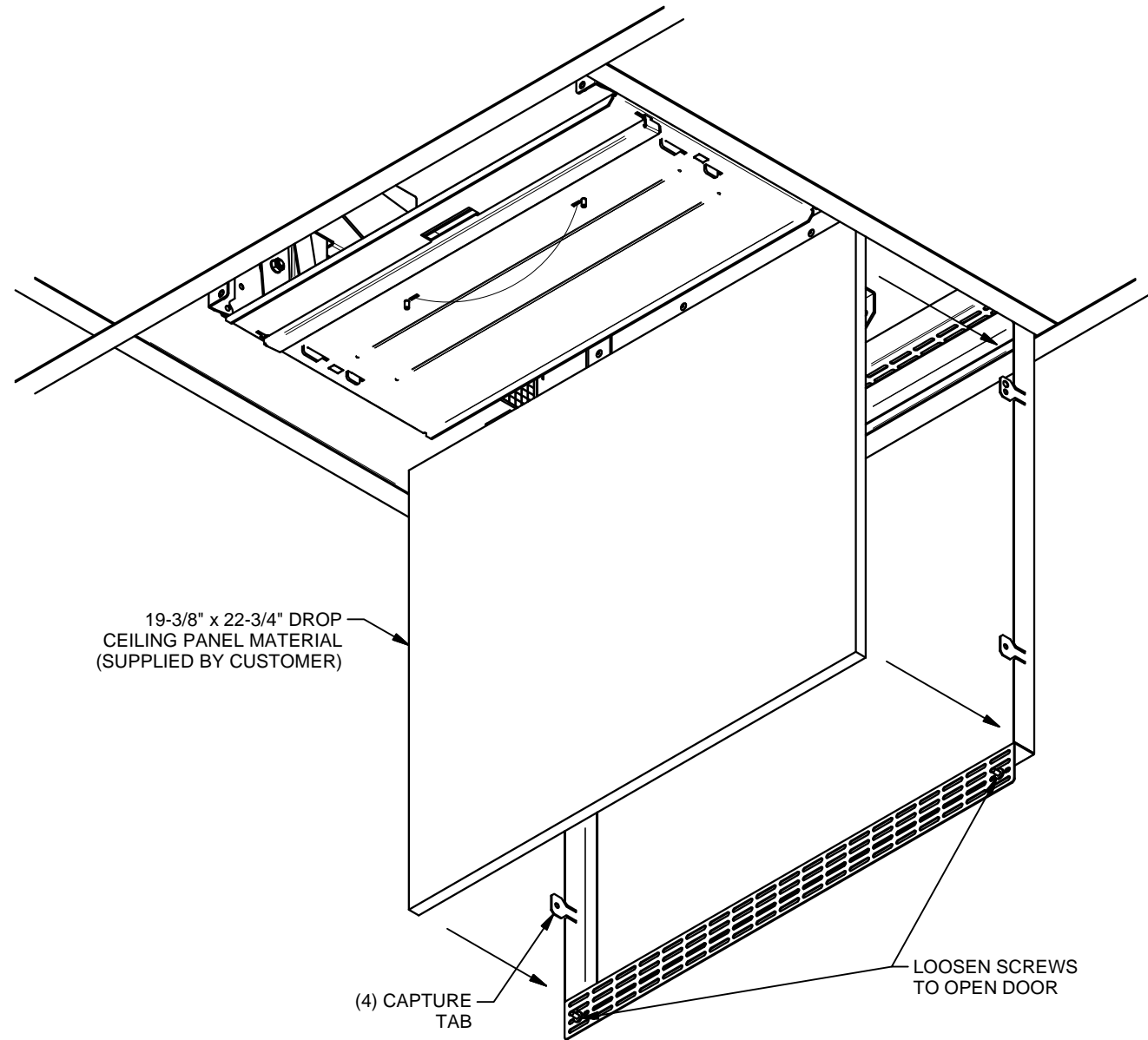


## CEILING TILE INSTRUCTIONS

- INSTALL 19-3/8" x 22-3/4" DROP CEILING MATERIAL (SUPPLIED BY CUSTOMER) INTO DOOR. BEND CAPTURE TABS OVER CEILING PANEL TO HOLD IN PLACE.



# FSR

## CB-224/224S INSTALLATION INSTRUCTIONS

244 Bergen Boulevard, Woodland Park, NJ 07424, Phone: 973.785.4347 - Fax: 973.785.4207

- INSTALL CB-224/S TO A STRUCTURAL CEILING ABLE TO SUPPORT FIVE TIMES THE NOTED GROSS WEIGHT. USE APPROPRIATE MOUNTING METHODS BASED ON LOCAL BUILDING CODES. INSTALL SAFETY CABLE AS REQUIRED BY LOCAL BUILDING CODES. ROUTE CONDUITS TO BOX AS REQUIRED.

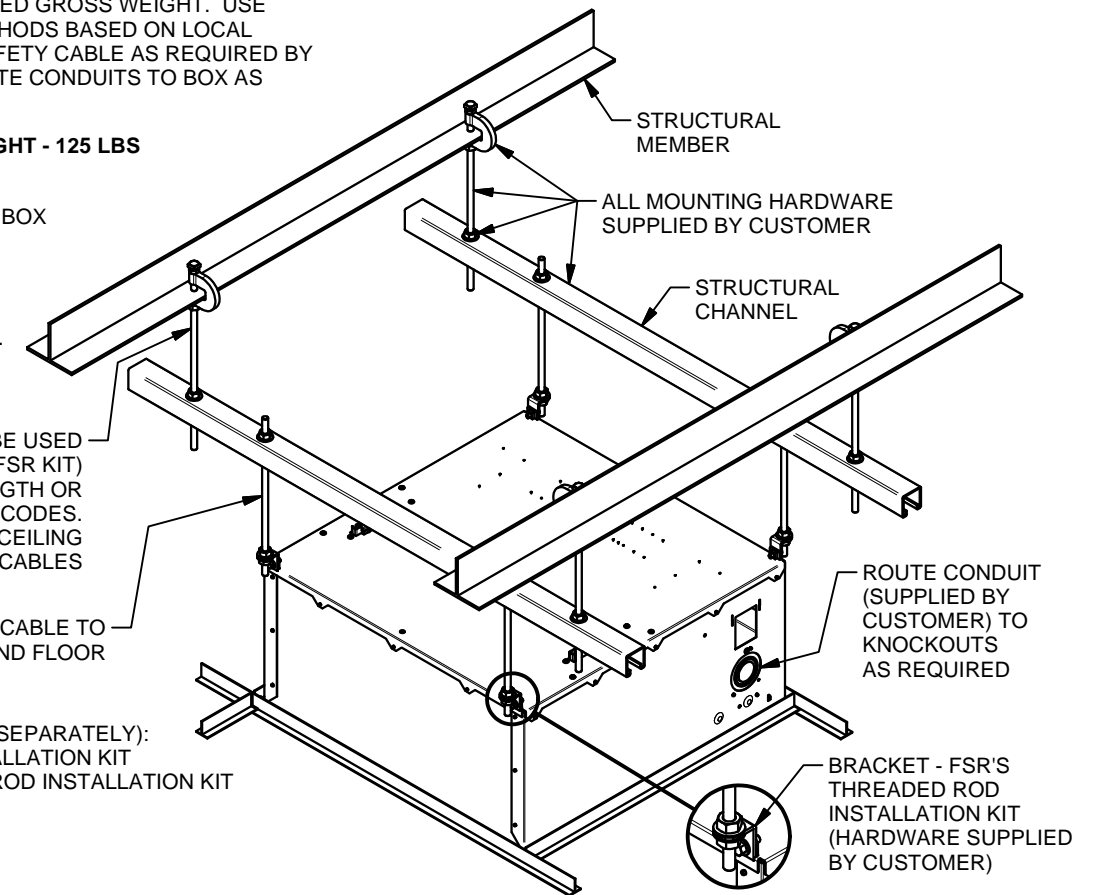
**NOTE: MAXIMUM GROSS WEIGHT - 125 LBS**

NOTE: THREADED ROD IS THE RECOMMENDED CEILING BOX MOUNTING SUSPENSION (SHOWN), TO MINIMIZE FIXTURE TILTING DUE TO THE WEIGHT OF ANY SUSPENDED EQUIPMENT.

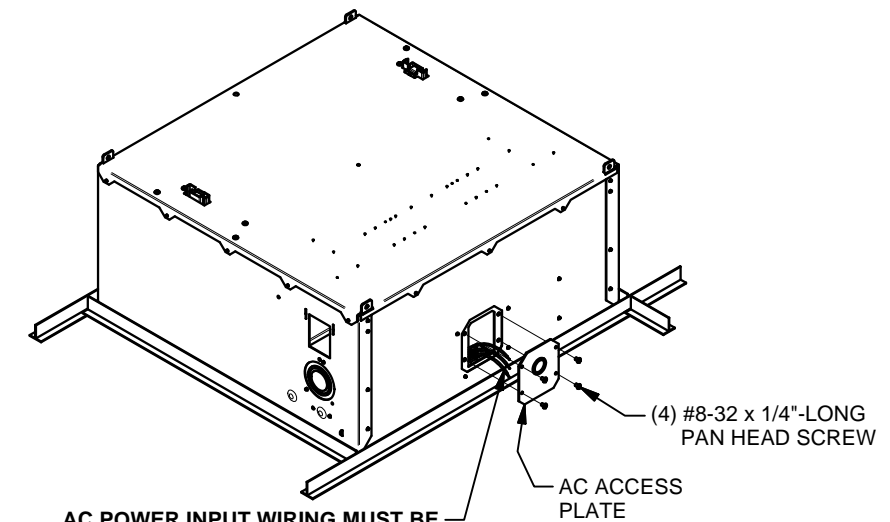
14 GA. STEEL TIE WIRE MAY BE USED (SUPPLIED BY CUSTOMER OR USE FSR KIT) AT 70,000 PSI TENSILE STRENGTH OR BETTER AS REQUIRED BY BUILDING CODES. NOTE: WIRES SUPPORT CEILING BOX, AND ARE **NOT** SAFETY CABLES

THREADED ROD OR CABLE TO BE PLUMB WITH CEILING AND FLOOR

AVAILABLE KITS (SOLD SEPARATELY):  
CB-MNT1 - CABLE INSTALLATION KIT  
CB-THRD - THREADED ROD INSTALLATION KIT



- TO INSTALL AC MAIN POWER INTO THE UNIT, REMOVE THE AC ACCESS PLATE BY REMOVING (4) #8-32 SCREWS, AS SHOWN. WIRING MUST BE PERFORMED BY A QUALIFIED ELECTRICIAN ONLY. WIRING MUST BE DONE IN ACCORDANCE WITH ALL NEC AND OTHER APPLICABLE CODES. RE-INSTALL AC ACCESS PLATE AFTER AC WIRING IS COMPLETE.



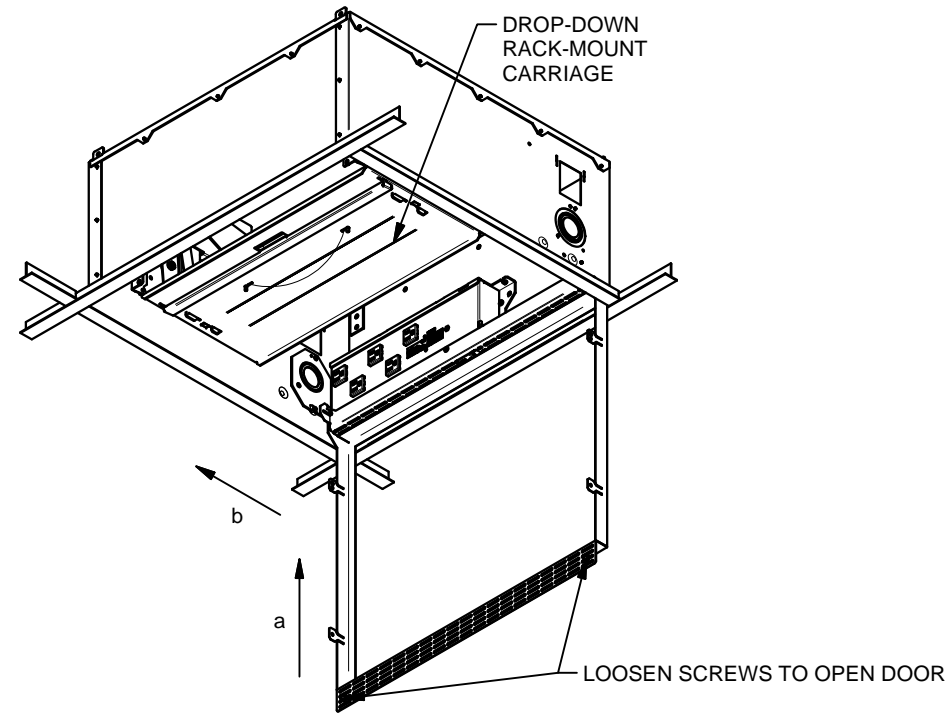
AC POWER INPUT WIRING MUST BE PERFORMED BY A QUALIFIED ELECTRICIAN ONLY

### FSR Inc.

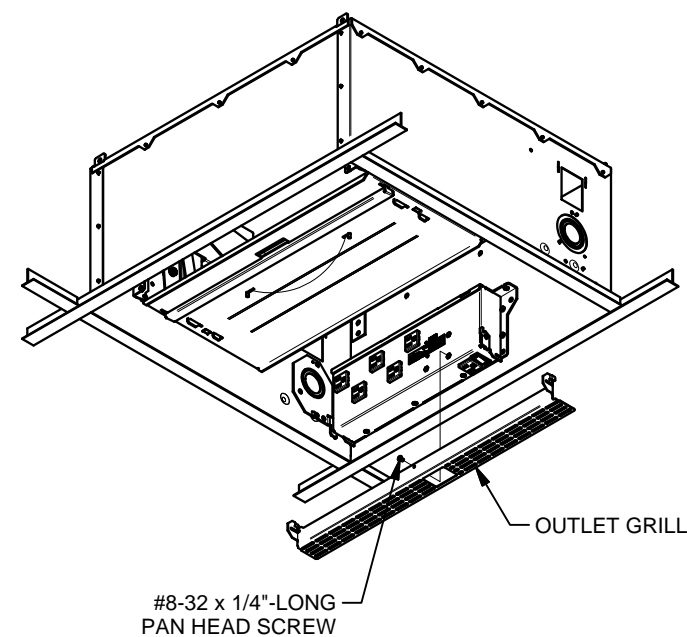
244 Bergen Boulevard, Woodland Park, NJ 07424  
Phone: 973.785.4347 - Fax: 973.785.4207  
Web: [www.fsrinc.com](http://www.fsrinc.com) - E-mail: [sales@fsrinc.com](mailto:sales@fsrinc.com)

## MOUNTING ELECTRONICS INSTRUCTIONS

3. IF NOT INSTALLING FAN KIT, PROCEED TO STEP 5. IF INSTALLING FAN KIT, REMOVE CEILING BOX DOOR. LOOSEN SCREWS TO OPEN DOOR. (a) PUSH DOOR UP TOWARDS CEILING AND (b) PUSH TOWARDS DROP-DOWN RACK-MOUNT CARRIAGE - REVERSE PROCEDURE TO INSTALL. DISCONNECT SAFETY CABLE TO COMPLETELY REMOVE DOOR.

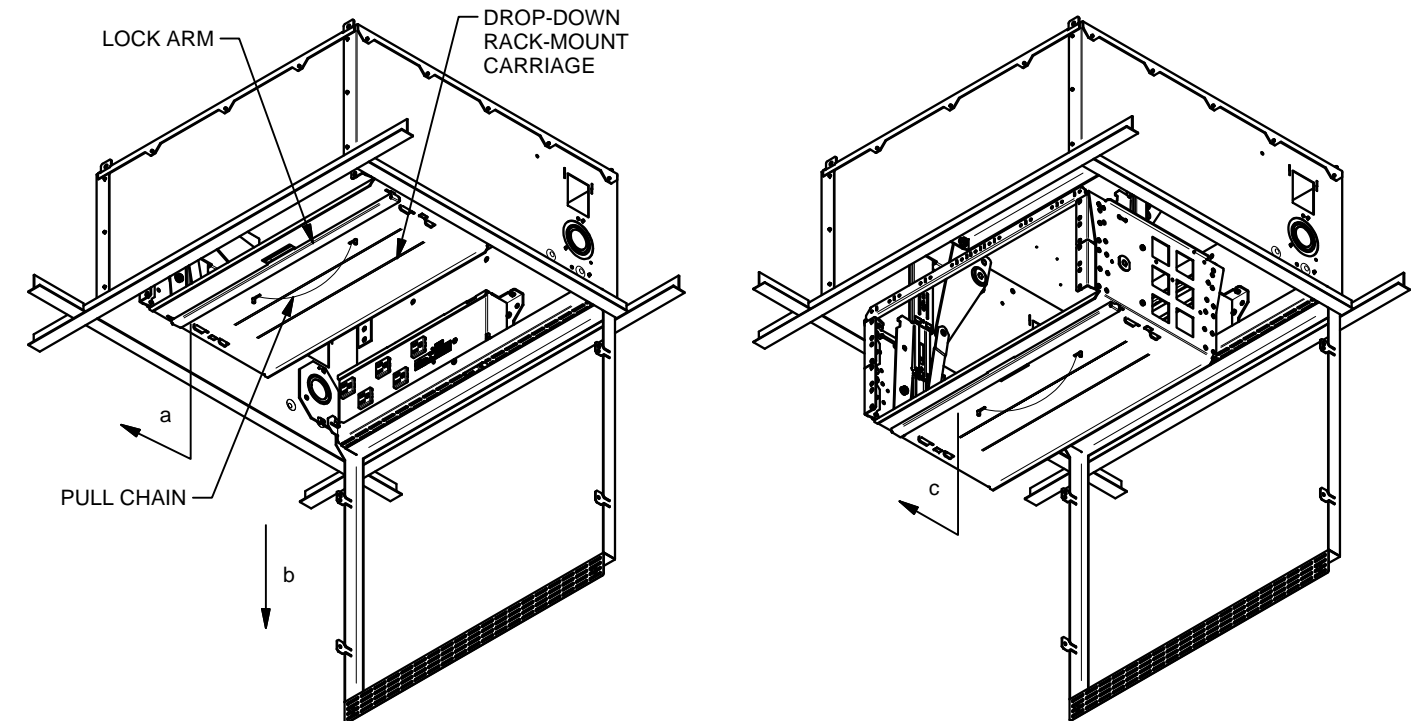


4. REMOVE #8-32 SCREW AS SHOWN, AND REMOVE OUTLET GRILL. SUPPORT OUTLET GRILL WHILE REMOVING SCREW. INSTALL FAN KIT PER INSTRUCTIONS. RE-INSTALL OUTLET GRILL AND CEILING BOX DOOR BACK INTO CEILING BOX BY REVERSING THEIR REMOVAL STEPS.

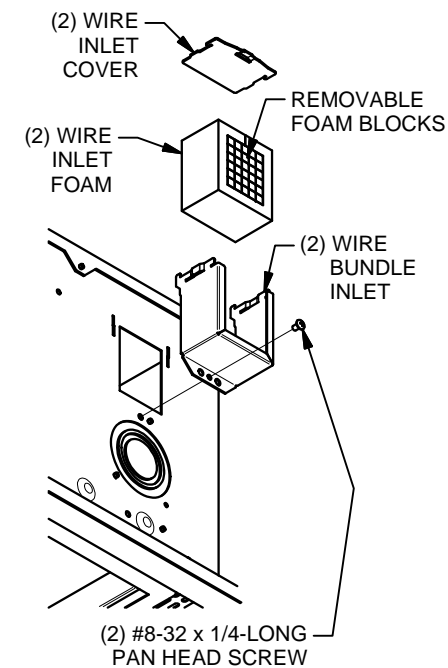


5. PULL DOWN DROP-DOWN RACK-MOUNT CARRIAGE TO MOUNT ELECTRONICS. (a) PUSH LOCK ARM AWAY FROM POLE MOUNT AND (b) AND PULL DOWN ON CHAIN. ONCE THE DROP-DOWN CARRIAGE IS PULLED FULLY DOWN (c) AGAIN PUSH THE LOCK ARM AWAY FROM POLE MOUNT TO LOCK CARRIAGE IN THE 'DOWN' POSITION. REVERSE PROCEDURE TO RETRACT CARRIAGE BACK INTO CEILING BOX.

**NOTE: MAXIMUM LOAD INSIDE CARRIAGE - 25 LBS**



6. INSTALL WIRE BUNDLE INLET, WIRE INLET FOAM, AND WIRE INLET COVER TO SIDES OF BOX. REMOVE THE FOAM BLOCKS NECESSARY FOR THE WIRE BUNDLE EXITING THE BOX. PULL WIRES TO CEILING BOX THRU WIRE INLET OR CONDUIT AS REQUIRED.



7. INSTALL 1RU TO 4RU x 19" EIA RACK-SIZED ELECTRONICS. MAKE ELECTRICAL CONNECTIONS AS REQUIRED. RACK MOUNT BRACKETS CAN BE RE-POSITIONED TO ALTERNATE HOLES, OR ADDITIONAL BRACKETS MAY BE PURCHASED (CB-224RKRL).

**NOTE: MAXIMUM LOAD INSIDE CARRIAGE - 25 LBS**

