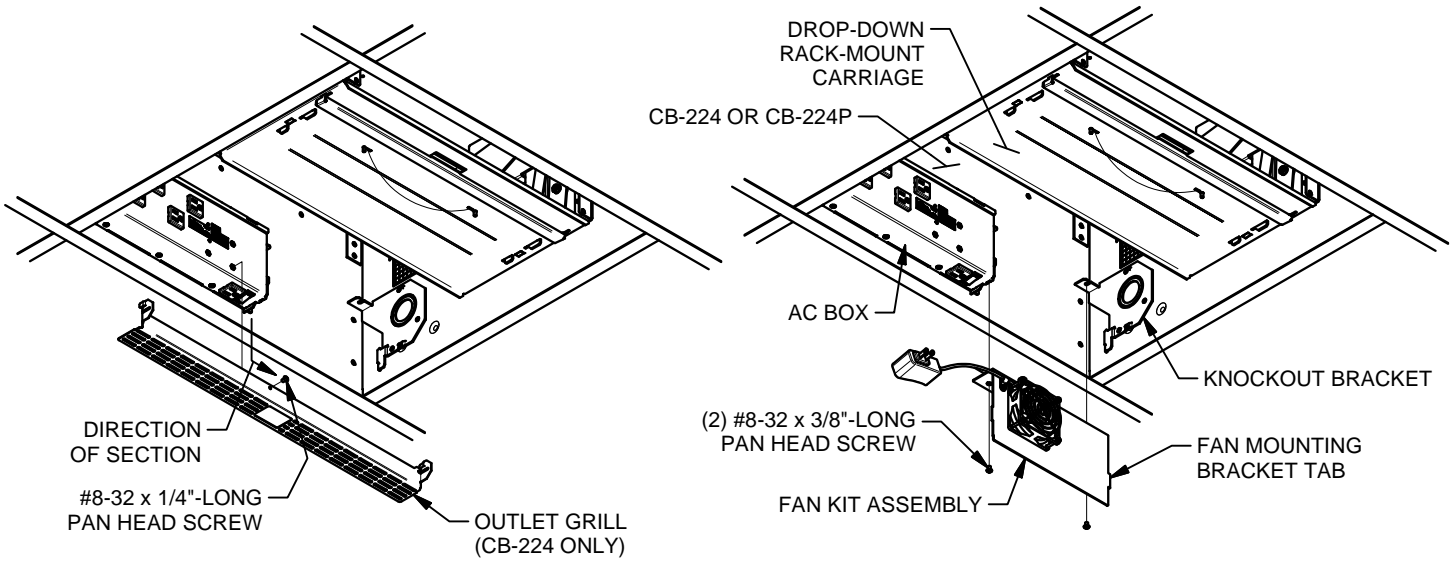
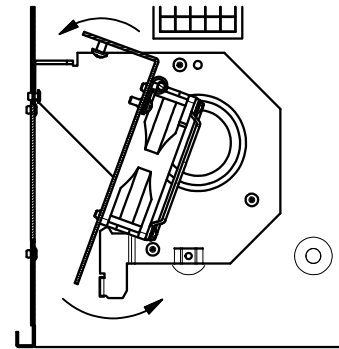
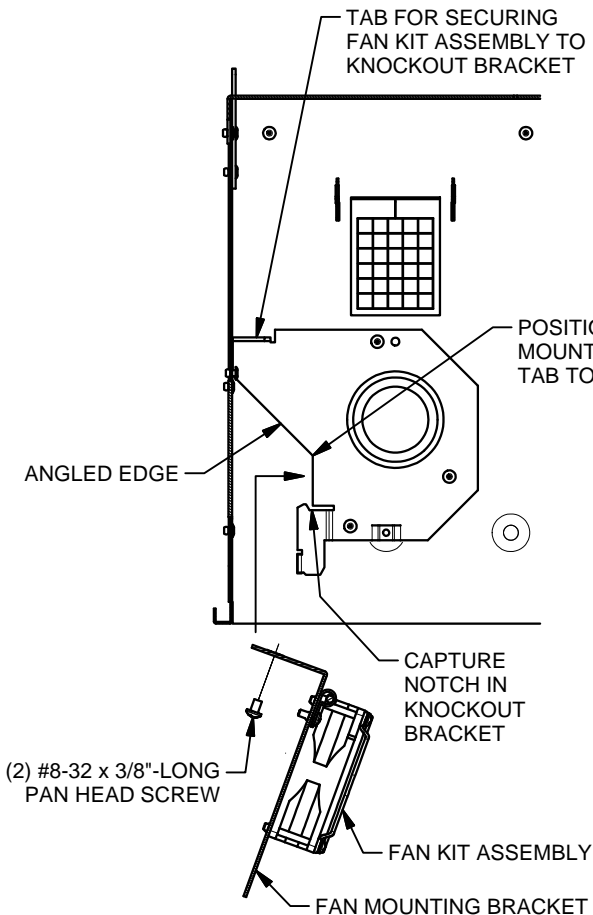


FOR MODEL CB-224 REMOVE DOOR (REFER TO DOCUMENT LIT1364 INCLUDED WITH CB-224) AND OUTLET GRILL (SEE BELOW). FOR MODEL CB-224P REMOVE DOOR AND POLE MOUNT ASSEMBLY (REFER TO DOCUMENT LIT1365 INCLUDED WITH CB-224P). INSTALL FAN KIT ASSEMBLY AS SHOWN. PLUG FAN POWER SUPPLY. RE-ASSEMBLE CEILING BOX.



1. INSTALL (2) #8-32 x 3/8"-LONG PAN HEAD SCREW INTO FAN MOUNTING BRACKET (**2 TURNS ONLY**). ORIENT FAN KIT ASSEMBLY AS SHOWN AND PUSH ASSEMBLY UP TO KNOCKOUT BRACKET ANGLED EDGE.

2. ROTATE ASSEMBLY AS SHOWN SO SCREWS OF THE FAN BRACKET SLIP INTO THE SLOTS IN BOTH MOUNTING TABS. ENSURE THE FAN BRACKET TABS ENGAGE THE CAPTURE FEATURES ON THE POWER OUTLET BOX AND THE KNOCKOUT BRACKET.



3. SECURE FAN KIT ASSEMBLY TO KNOCKOUT BRACKET BY TIGHTENING THE (2) #8-32 x 3/8"-LONG PAN HEAD SCREWS.

