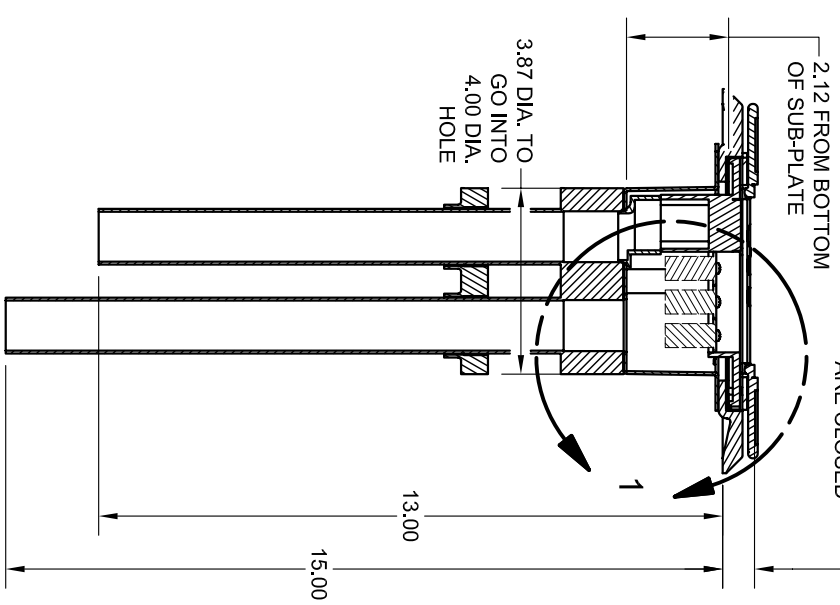


COVER DOORS SHOWN OPEN

.67 WHEN DOORS ARE CLOSED



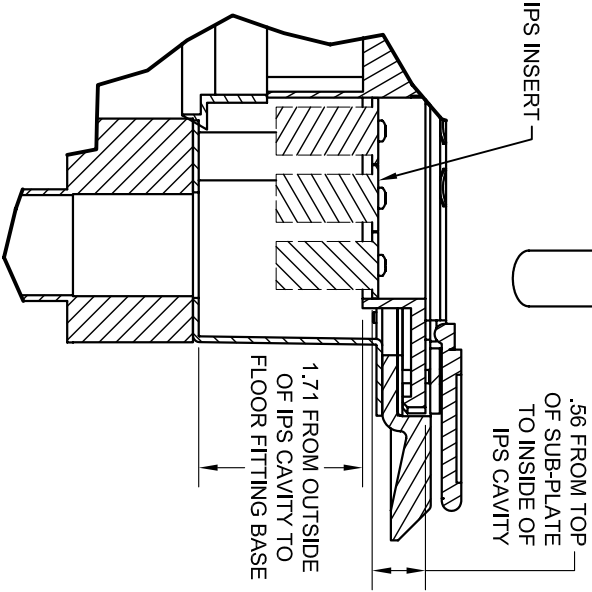
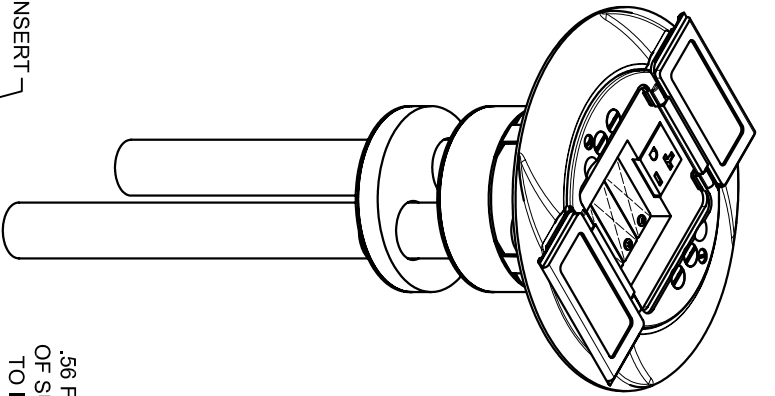
2.12 FROM BOTTOM OF SUB-PLATE

3.87 DIA. TO GO INTO 4.00 DIA. HOLE

13.00

15.00

CUTAWAY A-A

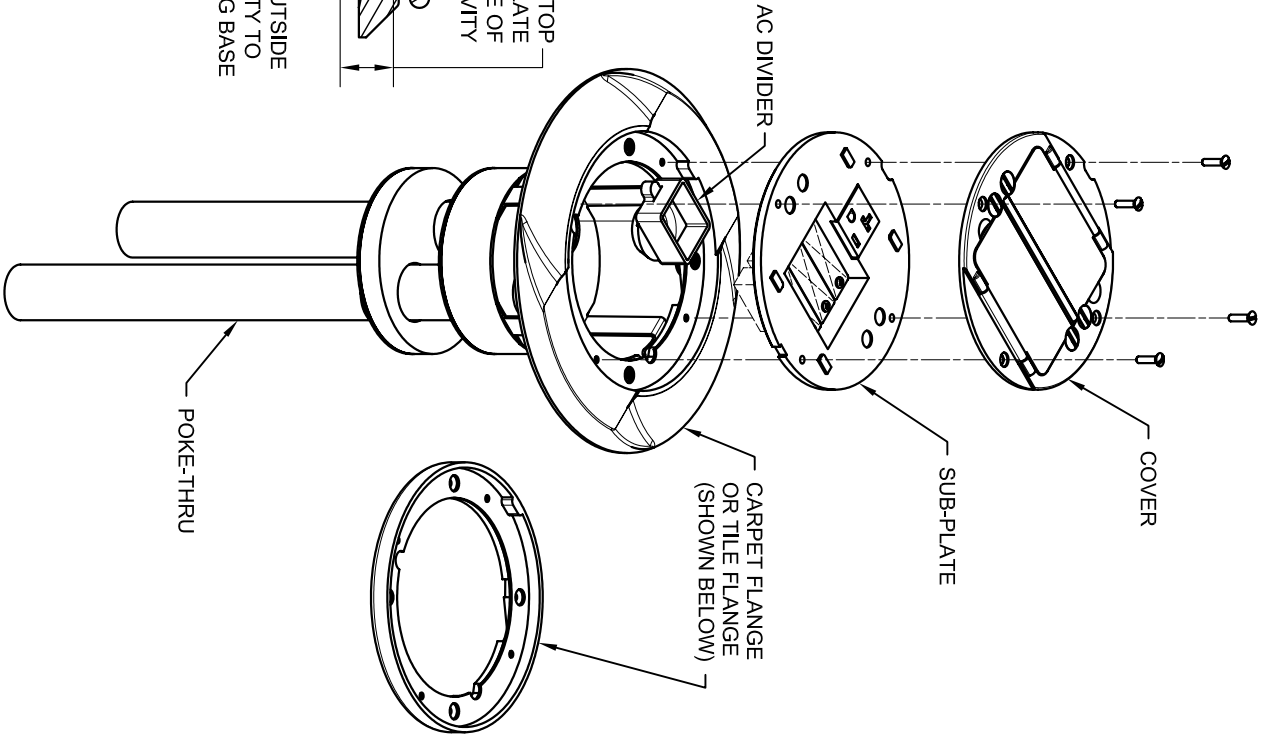


IPS INSERT

.56 FROM TOP OF SUB-PLATE TO INSIDE OF IPS CAVITY

1.71 FROM OUTSIDE OF IPS CAVITY TO FLOOR FITTING BASE

DETAIL 1
SCALE 1:2



POKE-THRU

CARPET FLANGE OR TILE FLANGE (SHOWN BELOW)

SUB-PLATE

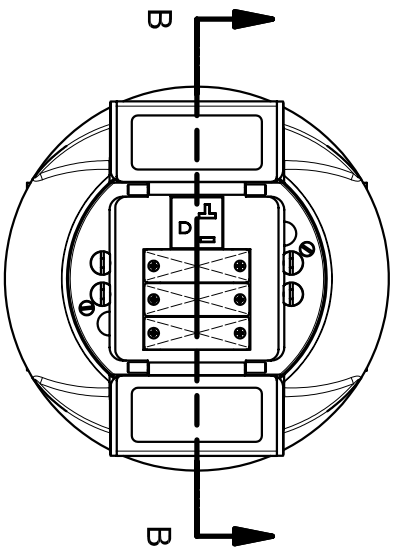
AC DIVIDER

COVER



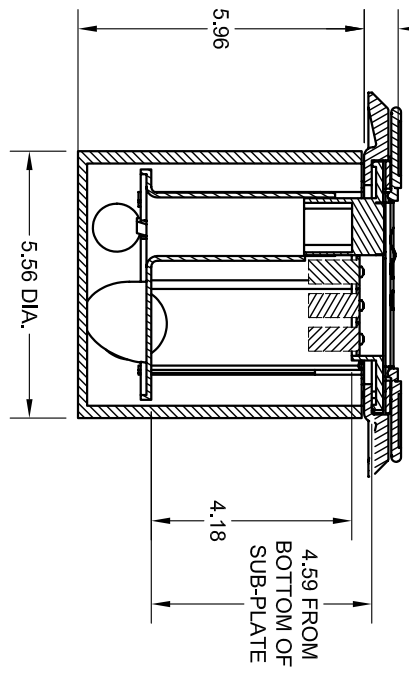
SF-IPSP

TITLE:	SF-IPSP
DRAWN BY: JRE	DATE: 02/07/07
CHKD BY: SF-IPSP	PAGE: 1 OF 3
SCALE: 1:4	REV: -

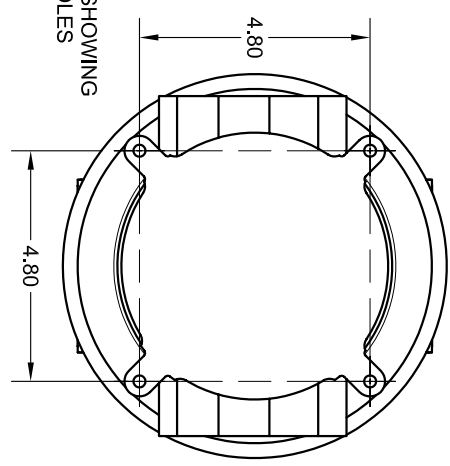
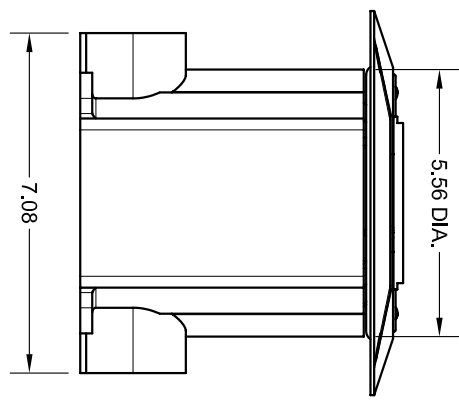
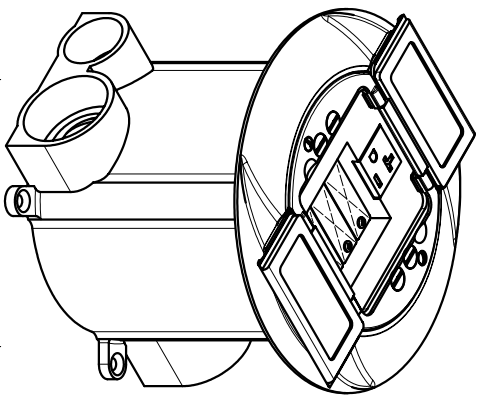


COVER DOORS SHOWN OPEN

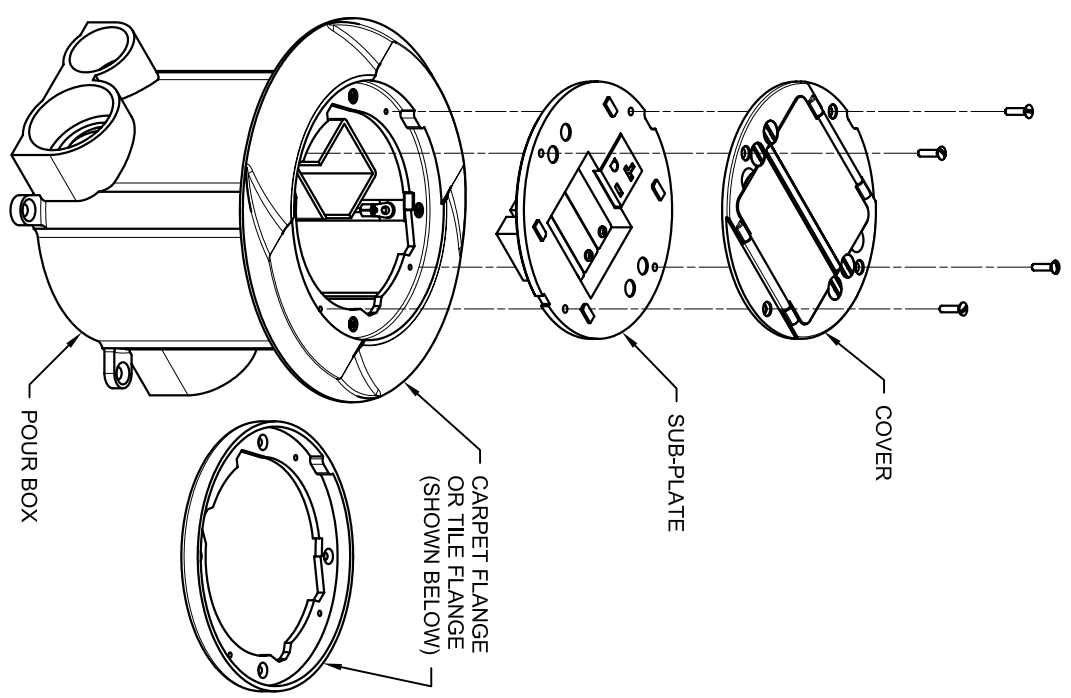
.67 WHEN DOORS
ARE CLOSED



CUTAWAY B-B



BOTTOM OF PART SHOWING
MOUNTING HOLES



POUR BOX

SUB-PLATE

COVER

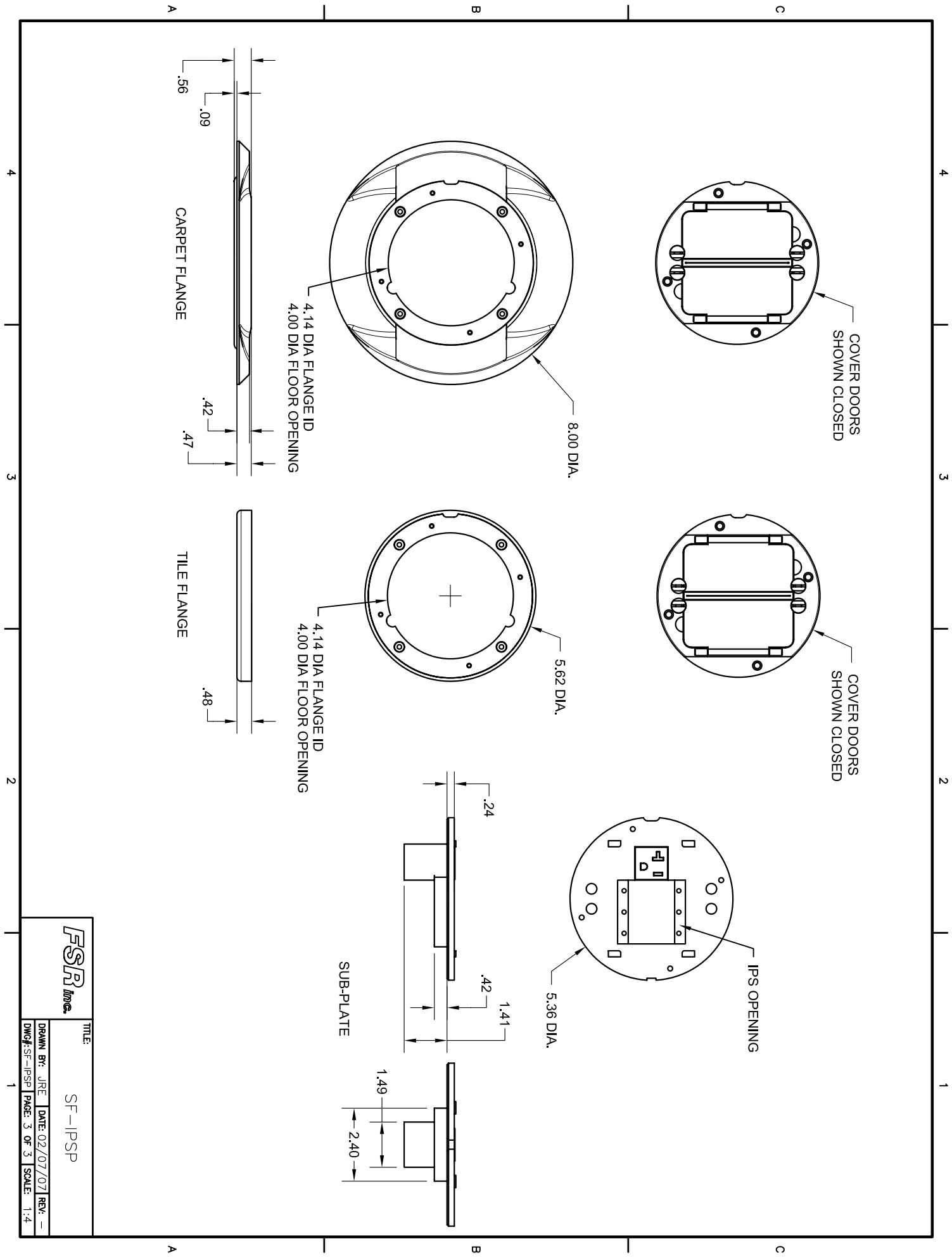
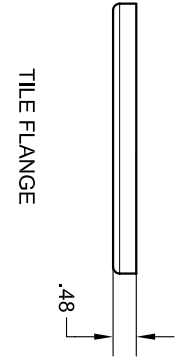
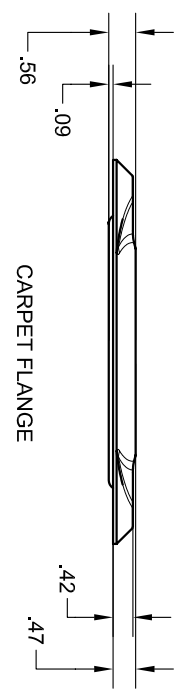
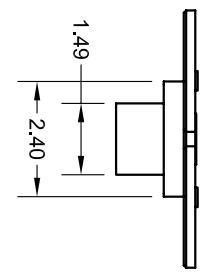
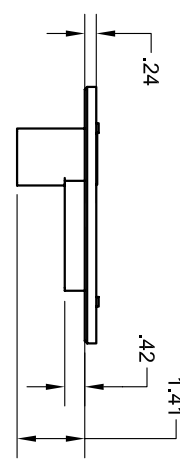
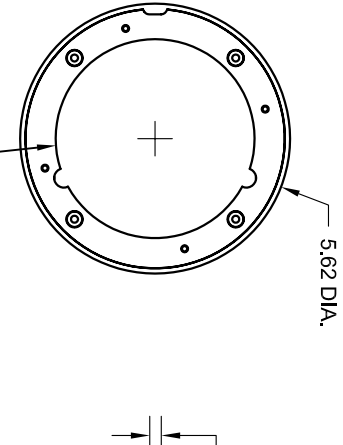
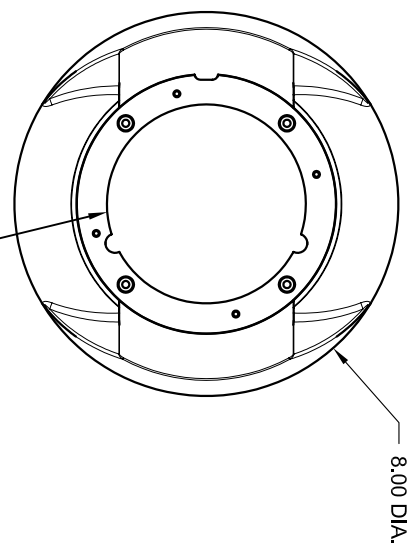
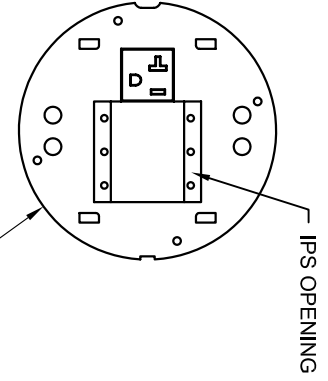
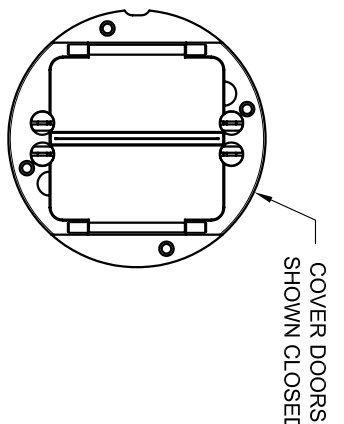
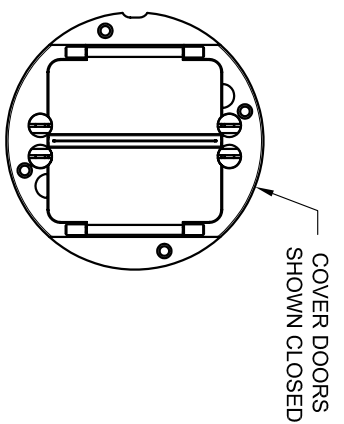
CARPET FLANGE
OR TILE FLANGE
(SHOWN BELOW)



TITLE:

SF-IPSP

DRAWN BY: JRE | DATE: 02/07/07 | REV: -
DWG#: SF-IPSP | PAGE: 2 OF 3 | SCALE: 1:4



TITLE: SF-IPSP

DRAWN BY: JRE DATE: 02/07/07 REV: -
DWG#: SF-IPSP PAGE: 3 OF 3 SCALE: 1:4