

3

2

1

D

D

C

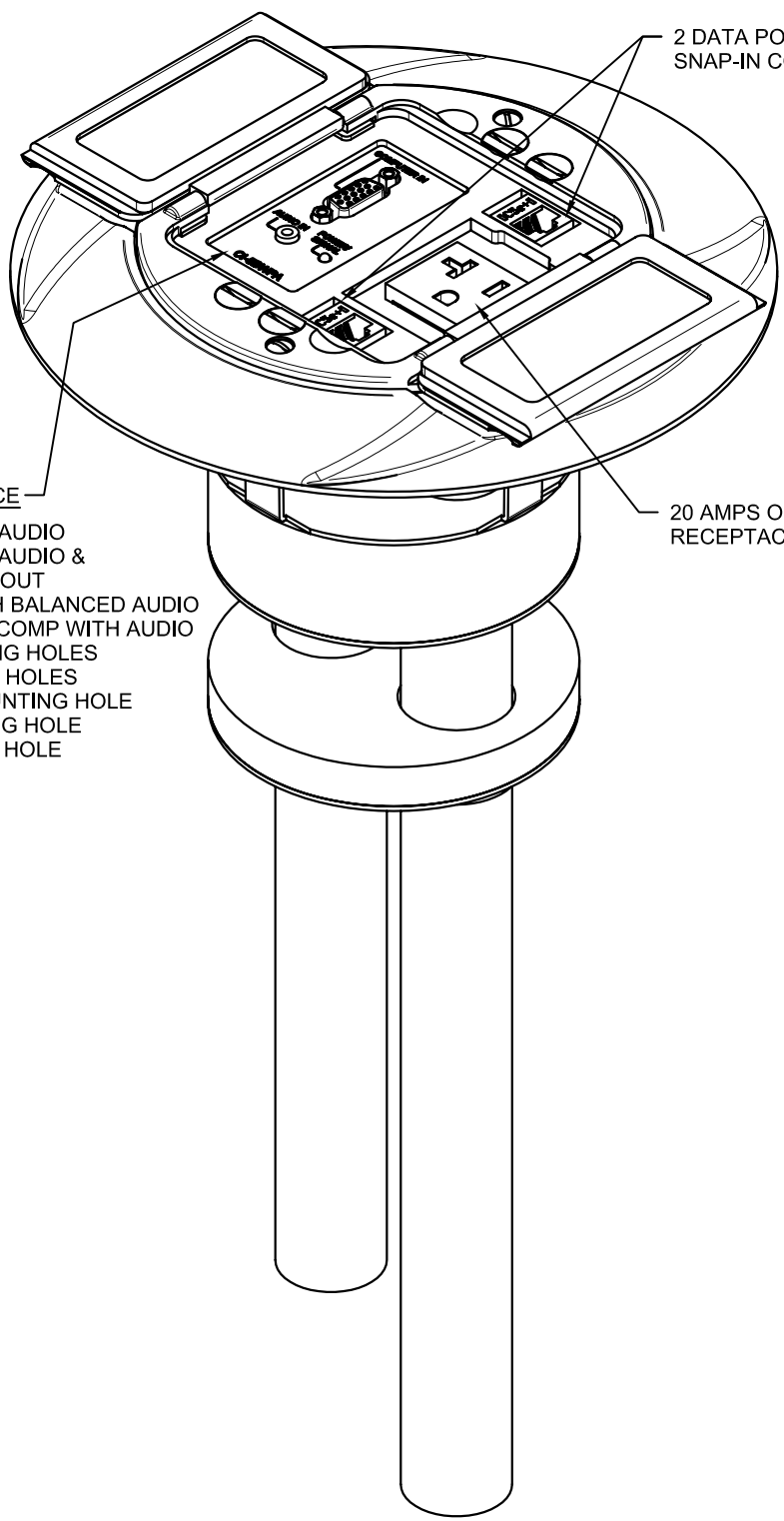
C

B

B

A

A



2 DATA PORTS OR ANY FLUSH
SNAP-IN CONNECTOR

ANY FSR INTERFACE

20 AMPS OF POWER
RECEPTACLE PROVIDED

- CI-5SF -ACTIVE PC WITH AUDIO
- CI-5LBSF -ACTIVE PC WITH AUDIO &
LOCAL MONITOR OUT
- PCI-5SF -PASSIVE PC WITH BALANCED AUDIO
- VWP-SVA-SF -ACTIVE S-VIDEO/COMP WITH AUDIO
- SS-P2DB -2 HD-15 MOUNTING HOLES
- SS-P2XLR -2 XLR MOUNTING HOLES
- SS-PDSXL -HD-15 & XLR MOUNTING HOLE
- SS-P1DB -1 HD-15 MOUNTING HOLE
- SS-P1XLR -1 XLR MOUNTING HOLE

FSR inc.	TITLE: SMART FIT SUB-PLATE MODEL# SF-2SDP		
	DRAWN BY:	DATE:	REV:
	DWG#:	PAGE: 1 OF 1	SCALE:

3

2

1