

# FSR T<sub>3</sub>U Table Box

## INSTALLATION & SAFETY MANUAL

### 1. Introduction

The T3U Table Box combines elegant styling and rugged design to balance form and function. Solid construction and ease of installation make this compact table box a compliment to any conference room or office environment.

### 2. Mounting Procedure

The T3U is mounted to the underside of the table using the appropriate screws (not supplied). Length and screw type is dependent on the specific characteristics and composition of the mounting surface. A drawing is provided for cutting the table opening (Fig. 2). Consideration should be given to placement and position to ensure the most functional orientation and user convenience. Table thickness range is ¾" to 2¾" maximum. Adjustments are provided to accommodate the range of table thickness.

- Remove the (4) height adjustment screws (Hex Head) completely and store in a safe place. (Fig. 1) The main chassis will now separate from the mounting sleeve by sliding it out.
- Install the mounting sleeve to underside of the table. The inside edges of the mounting sleeve should be aligned with the edges of the table opening. It may be desirable to invert the table for this step if possible.
- Cables are brought through table opening and mounting sleeve. Remove the cable access plate screws and plate to expose the rear of the connector panel. Make the necessary connections at the rear of the connector plate and replace the cable access plate(s). Slots are provided on the cable access plate for anchoring tie wraps to secure cable entry.
- Remount the main chassis into the mounting sleeve. Replace the four height adjustment screws. Adjust the chassis height flush to the table and tighten the 4 height adjustment screws (Fig. 1) to complete the installation.
- The exposed surfaces can be cleaned using a mild household cleaner. The T3U door is opened by applying slight pressure to the area labeled "PRESS HERE". This will expose the connector panel area for use.

### 3. Installation of Low Voltage Access Panels

The T3U is offered with a variety of blank plates or pre-punched faceplates providing maximum flexibility, and satisfying most field requirements. Standard snap in connectors, cable pass through and connector mounting plates can be installed to suit the specific installations.

Refer to the individual options installation drawings for installation particulars.

**\*\* CAUTION \*\*** *To reduce the risk of fire, use only No. 26 AWG or larger telecommunication line cord.*

### 4. Electrical Connections

*There is a factory installed duplex outlet provided for local 117 VAC power at the T3U faceplate. The 8' AC cord can be plugged into a 117 VAC outlet close to the T3U housing.*

*The T3U's power cord is the main-disconnect device. The power socket / outlet should be installed near the table box and should be easily accessible. The T3U's are designed to operate in a maximum recommended ambient temperature (TMRA) of 45° C (113° F).*

*For Pluggable Equipment, the socket outlet shall be installed near the equipment and shall be accessible.*

## **5. Warranty Policy**

This product is warranted against failures due to defective parts or faulty workmanship for a period of one year after delivery to the original owner. During this period, FSR will make any necessary repairs or replace the unit without charge for parts or labor. Shipping charges to the factory or repair station must be prepaid by the owner, return-shipping charges, via UPS / FedEx ground, will be paid by FSR.

This warranty applies only to the original owner and is not transferable. In addition, it does not apply to repairs done by other than the FSR factory or Authorized Repair Stations.

This warranty shall be cancelable by FSR at its sole discretion if the unit has been subjected to physical abuse or has been modified in any way without written authorization from FSR. FSR's liability under this warranty is limited to repair or replacement of the defective unit.

FSR will not be responsible for incidental or consequential damages resulting from the use or misuse of its products. Some states do not allow the exclusion of incidental or consequential damages, so the above limitations may not apply to you. This warranty gives you specific legal rights, and you may also have other rights which vary from state to state.

Warranty claims should be accompanied by a copy of the original purchase invoice showing the purchase date (if a Warranty Registration Card was mailed in at the time of purchase, this is not necessary). Before returning any equipment for repair, please read the important information on service below.

### **SERVICE**

Before returning any equipment for repair, please be sure that it is adequately packed and cushioned against damage in shipment, and that it is insured. We suggest that you save the original packaging and use it to ship the product for servicing. Also, please enclose a note giving your name, address, phone number and a description of the problem.

**NOTE: all equipment being returned for repair must have a Return authorization (RMA) Number. To get a RMA Number, please call the FSR Service Department (973-785-4347). Please display your RMA Number prominently on the front of all packages.**

### ***Fig-1 CHASSIS MOUNTING DRAWING***



Figure 1 Chassis Mounting

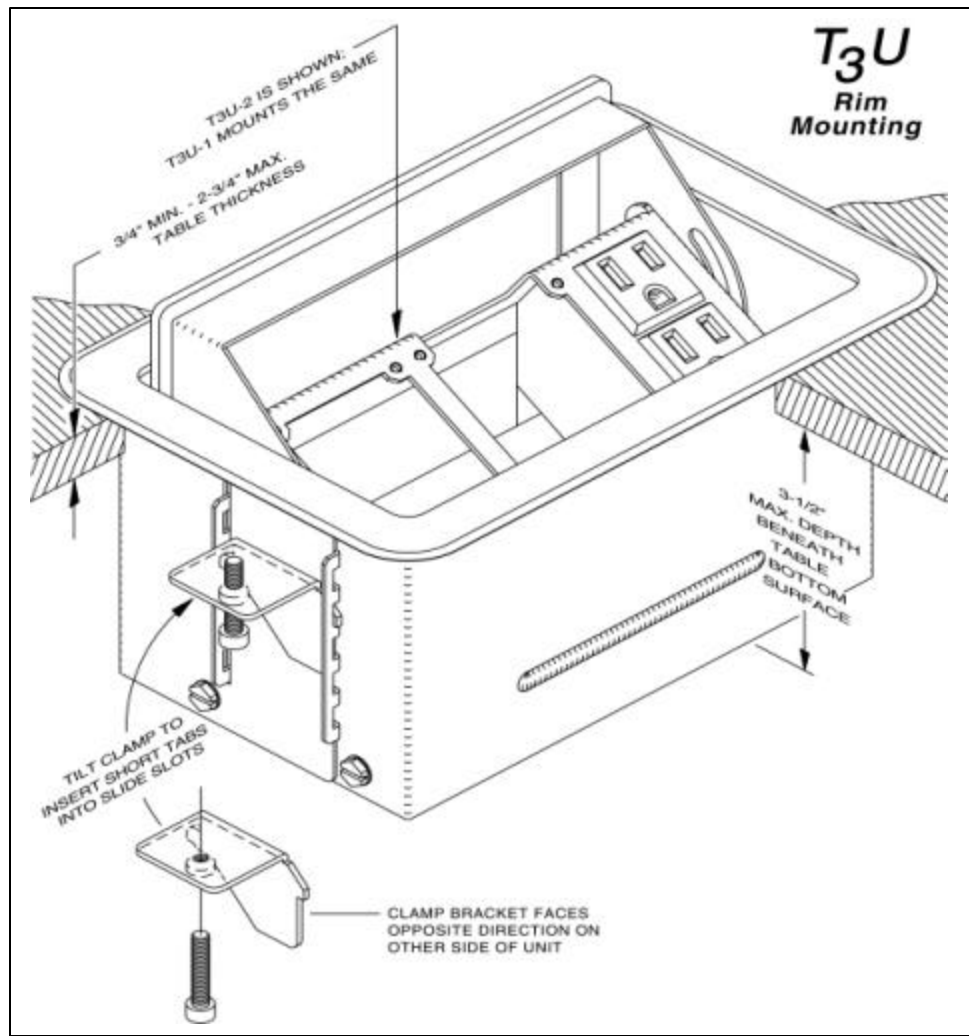
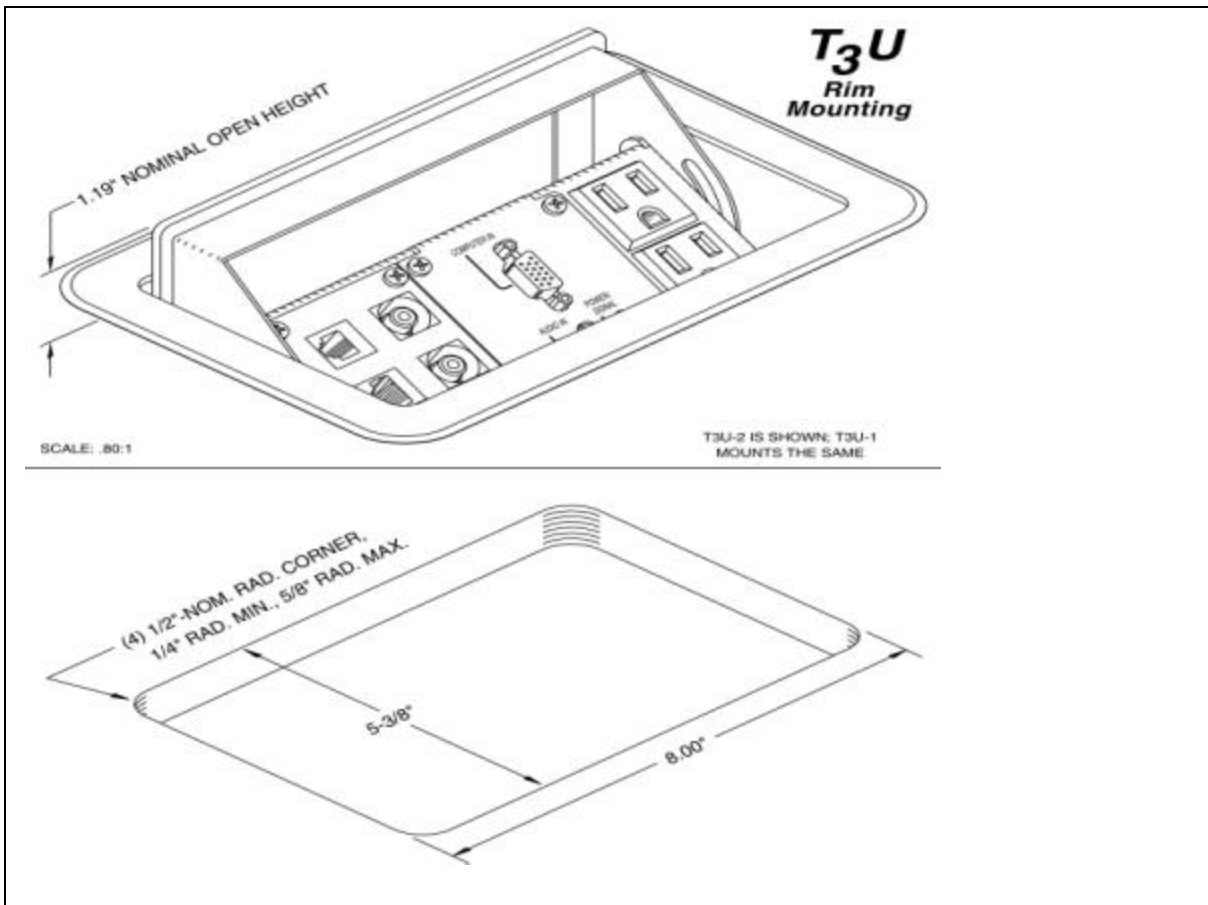
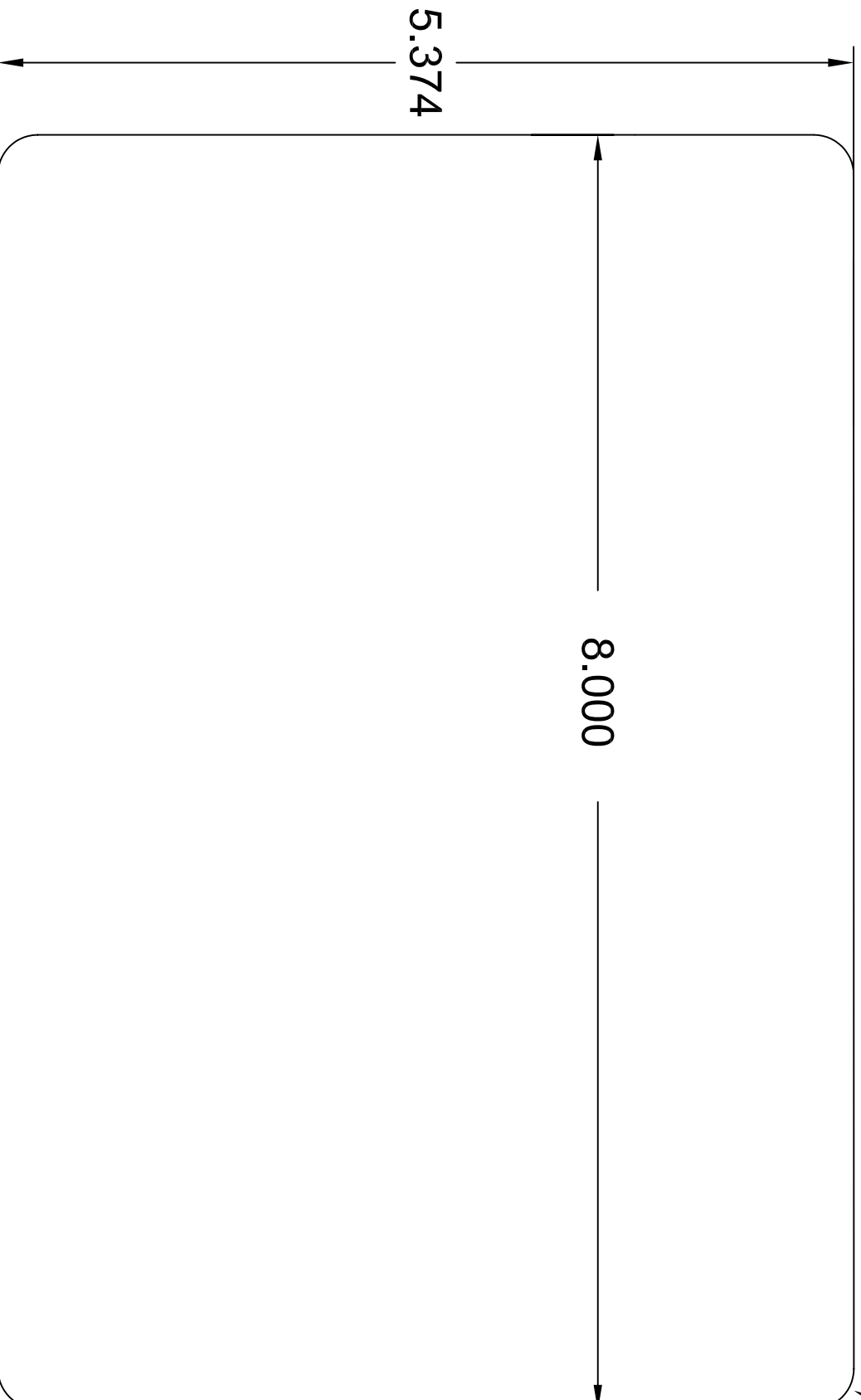


Figure 2 Table cutout



TEMPLATE FOR FSR T3U  
TABLE BOX (RIM VERSION)  
CUTOOUT

(4) 1/4 TO 1/2 R. MAXIMUM



**CAUTION!:** Due to variations in printed media  
it is the users responsibility to **VERIFY** the  
accuracy of this template and comfirm the  
actual dimensions by measuring.