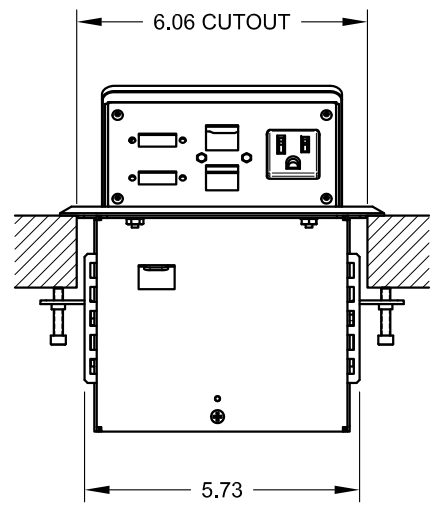
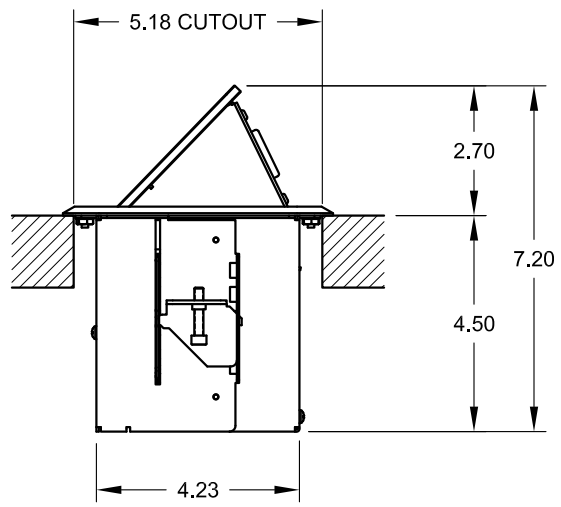


SHOWN WITH OPTIONAL CONNECTORS



**FSR inc.**  
244 BERGEN BLVD.  
WOODLAND PARK, NJ 07424  
TEL: (973) 785-4347  
FAX: (973) 785-3318

|                |                |        |
|----------------|----------------|--------|
| TITLE: TB-AVAC |                |        |
| DRAWN BY: JRE  | DATE: 11/10/15 | REV: - |
| DWG#: TB-AVAC  | SCALE: -       |        |