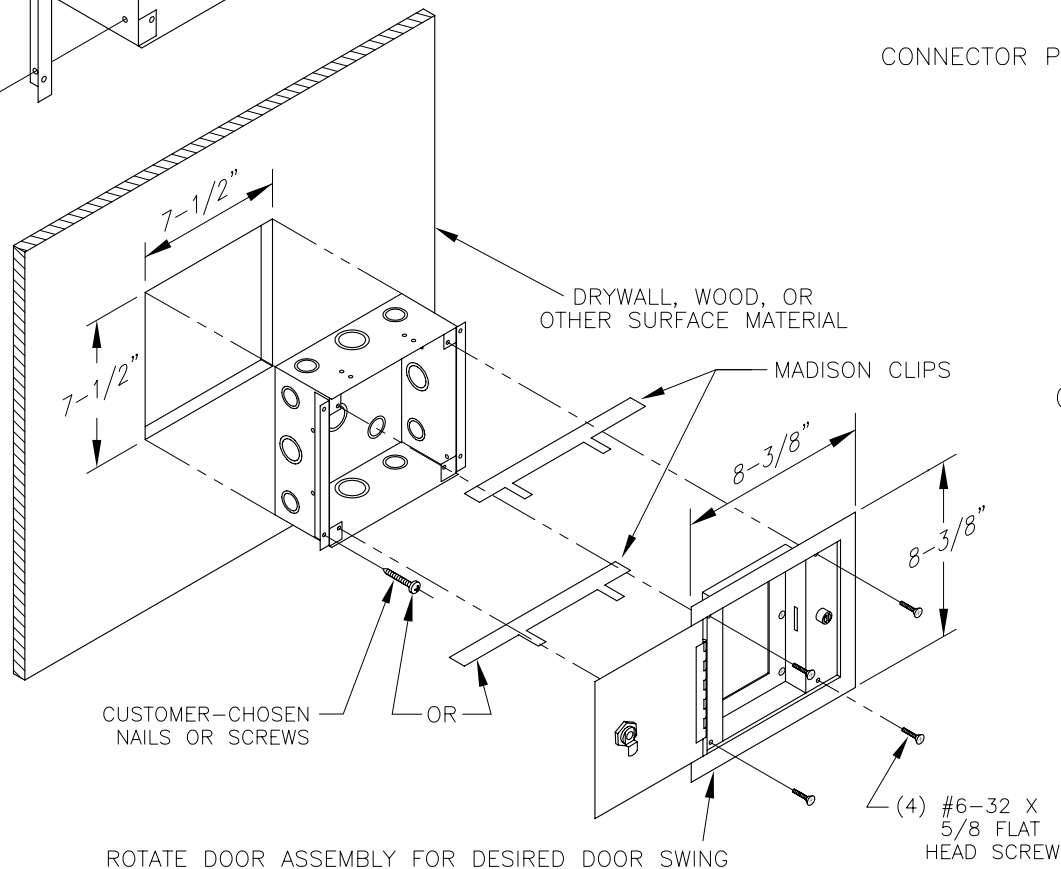


CONNECTOR PLATE/DEPTH DETAIL



<b>FSR</b> <i>INC.</i> 244 BERGEN BLVD. W. PATERSON, NJ 07424 TEL. (973) 785-4347 FAX (973) 785-3318	TITLE:	3G WALLBOX MTG PROCEDURE FOR EXISTING WALL INSTALLATION
	DRAWN BY:	JRE DATE: 08/03/05 REV: -
	DWG#:	WB-3-EXST SCALE: -