

4 3 2 1

C

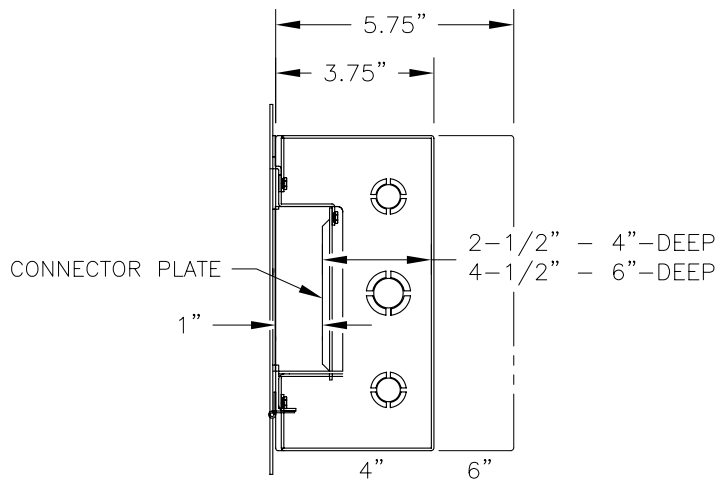
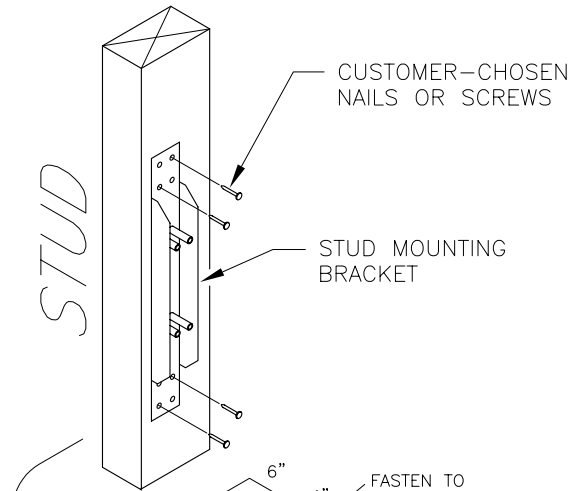
C

B

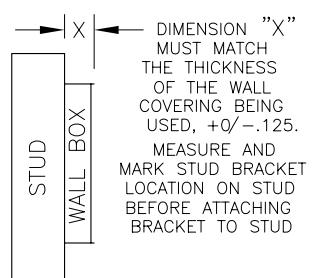
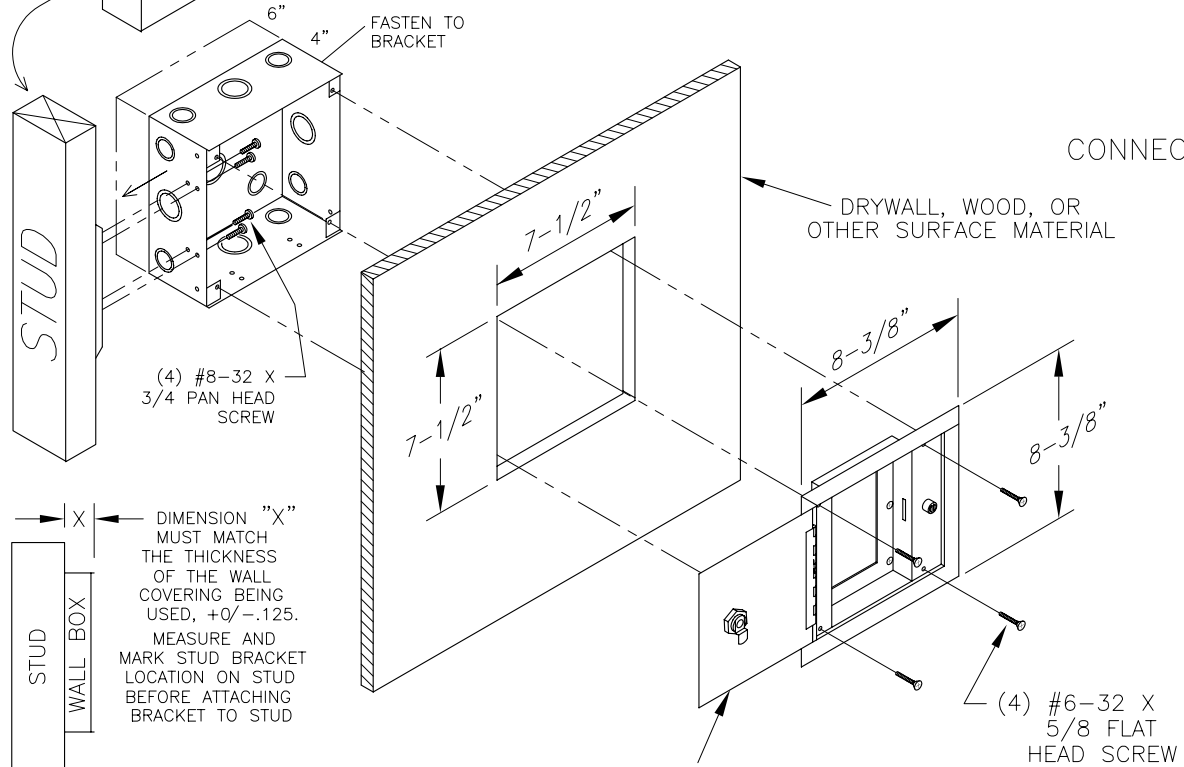
B

A

A



CONNECTOR PLATE/DEPTH DETAIL



ROTATE DOOR ASSEMBLY FOR DESIRED DOOR SWING

<b>FSR</b> <i>INC.</i> 244 BERGEN BLVD. W. PATERSON, NJ 07424 TEL. (973) 785-4347 FAX (973) 785-3318	TITLE:		
	3G WALLBOX MTG PROCEDURE FOR NEW CONSTRUCTION INSTL		
	DRAWN BY: JRE	DATE: 08/03/05	REV: -
	DWG#: WB-3-NEW	SCALE: -	

4 3 2 1