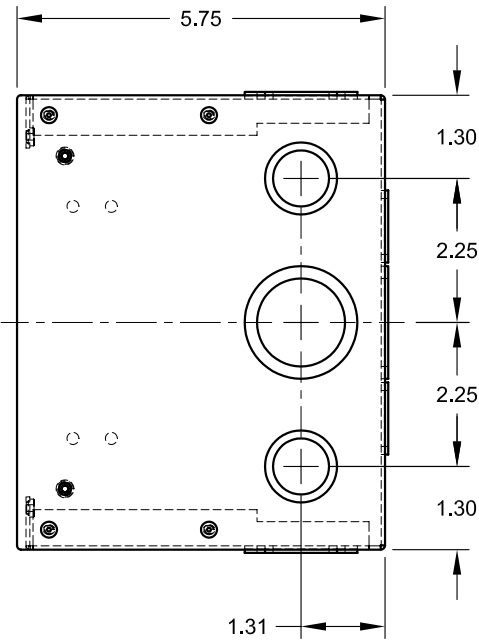
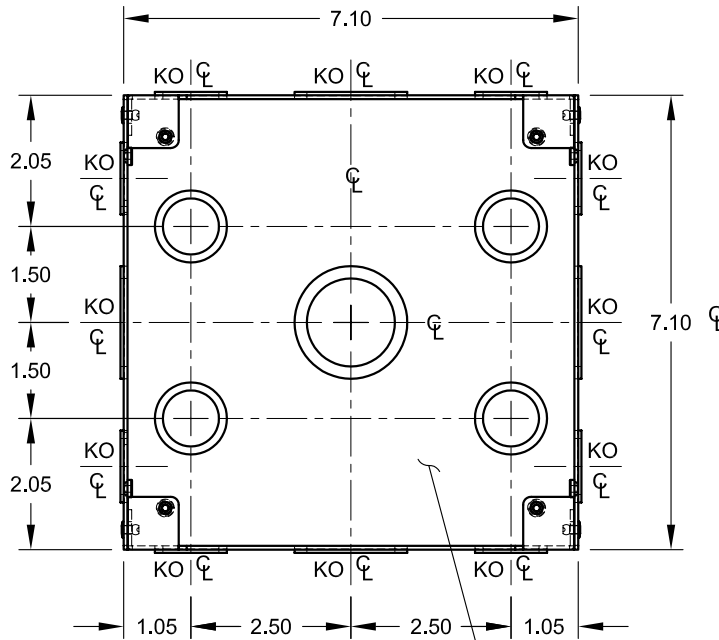


(12) 1/2" & 3/4"  
CONDUIT  
KNOCKOUTS

(5) 1" & 1-1/4"  
CONDUIT  
KNOCKOUTS



INTERNAL VOLUME:  
274.3 cu.in.

**FSR inc.**  
244 BERGEN BLVD.  
WOODLAND PARK, NJ 07424  
TEL. (973) 785-4347  
FAX (973) 785-3318

TITLE:			WB-3G-6		
DRAWN BY: JRE	DATE: 12/16/09	REV: -			
DWG#: WB-3G-6	PAGE: 1 OF 1	SCALE: 1:3			