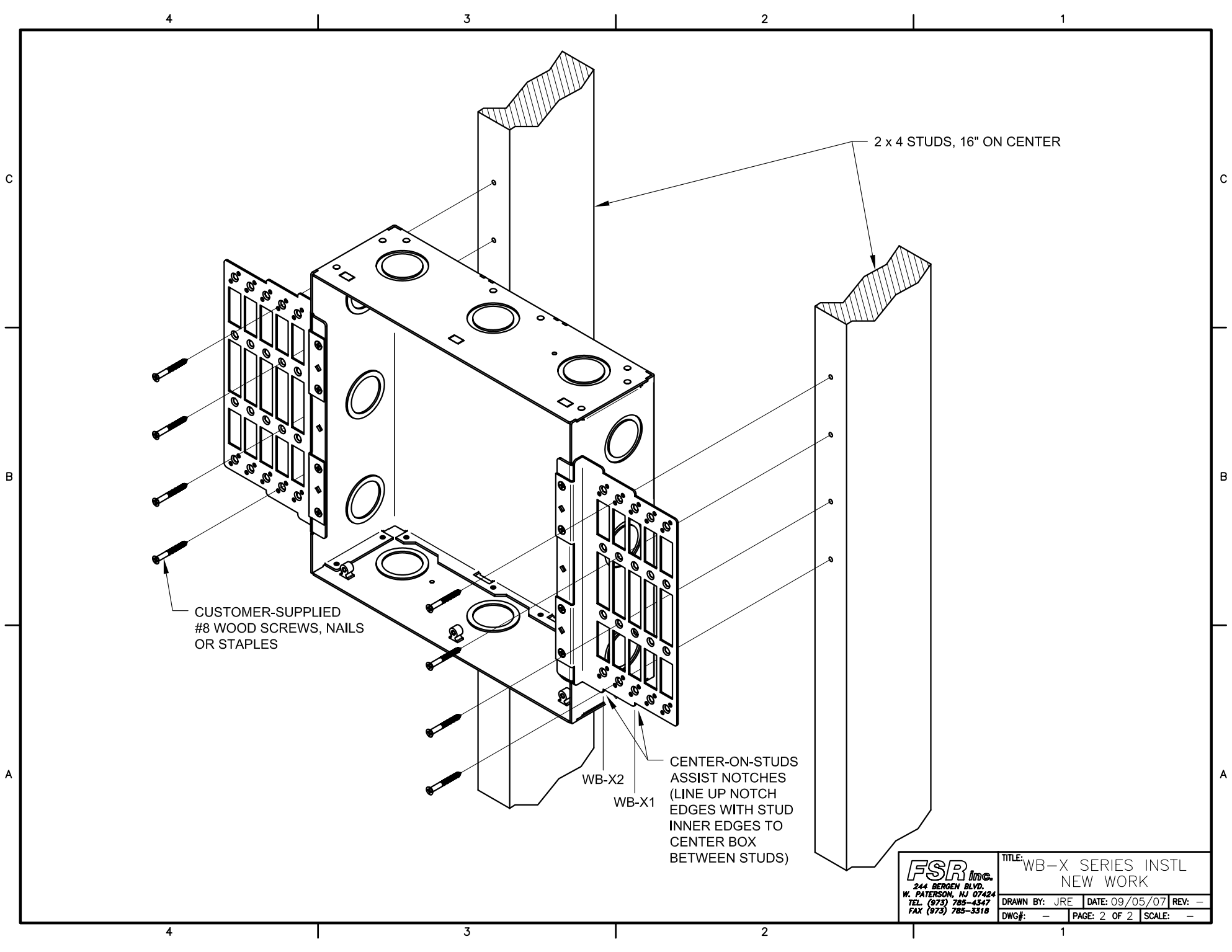


**FSR** *INC.*  
 244 BERGEN BLVD.  
 W. PATERSON, NJ 07424  
 TEL. (973) 785-4347  
 FAX (973) 785-3318

TITLE: WB-X SERIES INSTL  
 NEW WORK

DRAWN BY: JRE	DATE: 09/05/07	REV: -
DWG#: -	PAGE: 1 OF 2	SCALE: -



CUSTOMER-SUPPLIED  
#8 WOOD SCREWS, NAILS  
OR STAPLES

2 x 4 STUDS, 16" ON CENTER

CENTER-ON-STUDS  
ASSIST NOTCHES  
(LINE UP NOTCH  
EDGES WITH STUD  
INNER EDGES TO  
CENTER BOX  
BETWEEN STUDS)

WB-X2  
WB-X1

**FSR** inc.  
244 BERGEN BLVD.  
W. PATERSON, NJ 07424  
TEL. (973) 785-4347  
FAX (973) 785-3318

TITLE: WB-X SERIES INSTL  
NEW WORK

DRAWN BY: JRE	DATE: 09/05/07	REV: -
DWG#: -	PAGE: 2 OF 2	SCALE: -