

HOLE SIZE IN WALL		
MODEL	WIDTH	HEIGHT
WB-X1	9-1/2"	12-1/2"
WB-X2	12-1/2"	12-1/2"
WB-X3	12-1/2"	16-7/8"

(8) CUSTOMER-SUPPLIED #8 WOOD SCREW

ENSURE ADEQUATE SPACING OF SCREWS FROM BOX HOLE IN DRYWALL, TOP AND BOTTOM

HEIGHT

WIDTH

1" CUSTOMER-SUPPLIED BLOCKING - 5/4 WOOD MATERIAL RECOMMENDED

2 x 4 STUDS, 16" ON CENTER

1/2" OR 5/8" DRYWALL

SCREW/CLAMP BLOCK - POSITION CO-PLANAR WITH EDGES OF HOLE CUT INTO DRYWALL FOR WB-X BOX UNIT, AND ENSURE AT LEAST 3" OF BLOCKING MATERIAL BEYOND BOTH UPPER AND LOWER EDGES OF HOLE.

FSR inc.
244 BERGEN BLVD.
W. PATERSON, NJ 07424
TEL. (973) 785-4347
FAX (973) 785-3318

TITLE: WB-X SERIES INSTL
OLD WORK

DRAWN BY: JRE DATE: 09/05/07 REV: -
DWG#: - PAGE: 1 OF 3 SCALE: -

4 3 2 1

C

C

(8) #8-32 SCREW
(SUPPLIED)

(2) OLD-WORK
MOUNTING
BRACKET

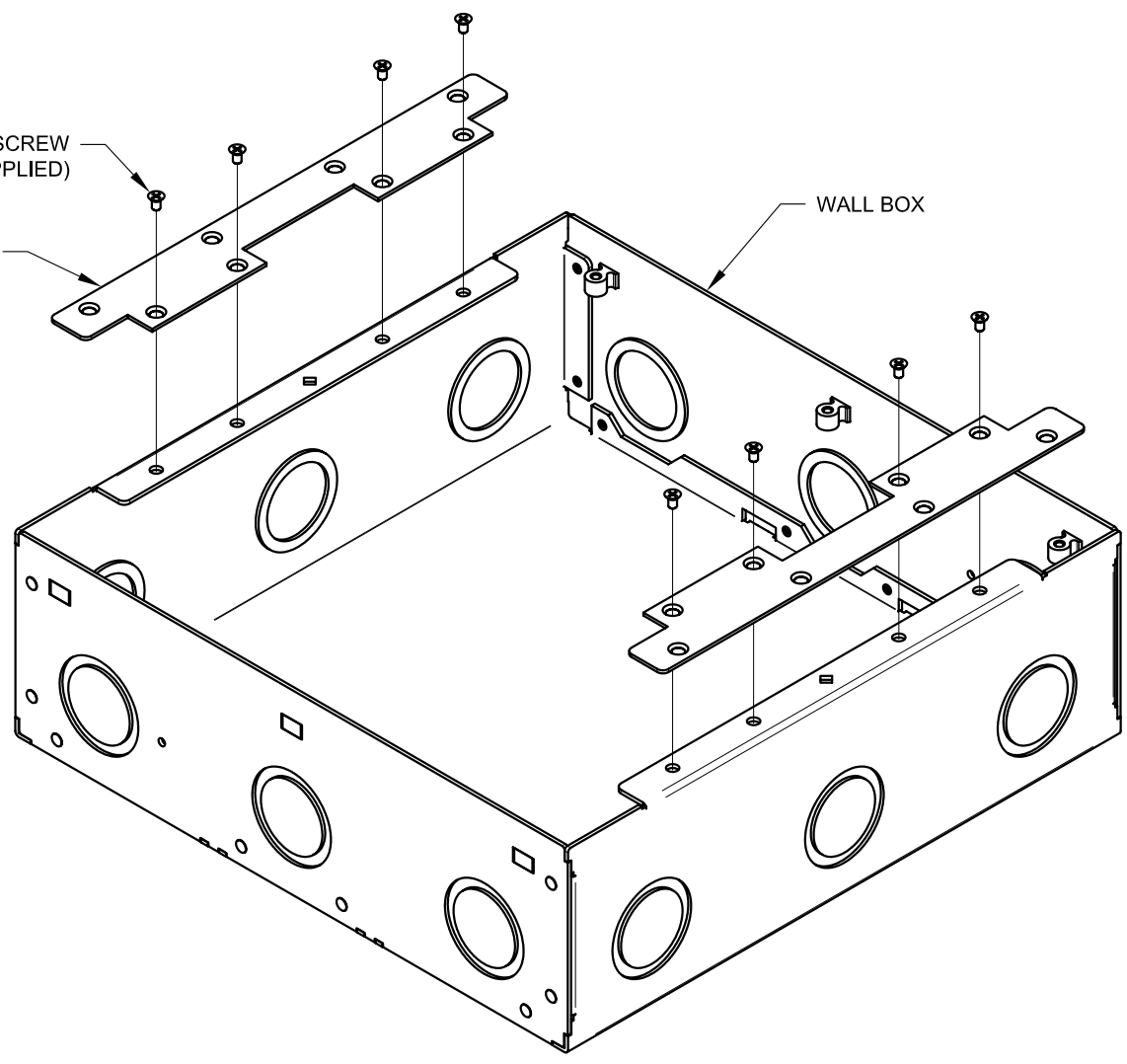
WALL BOX

B

B

A

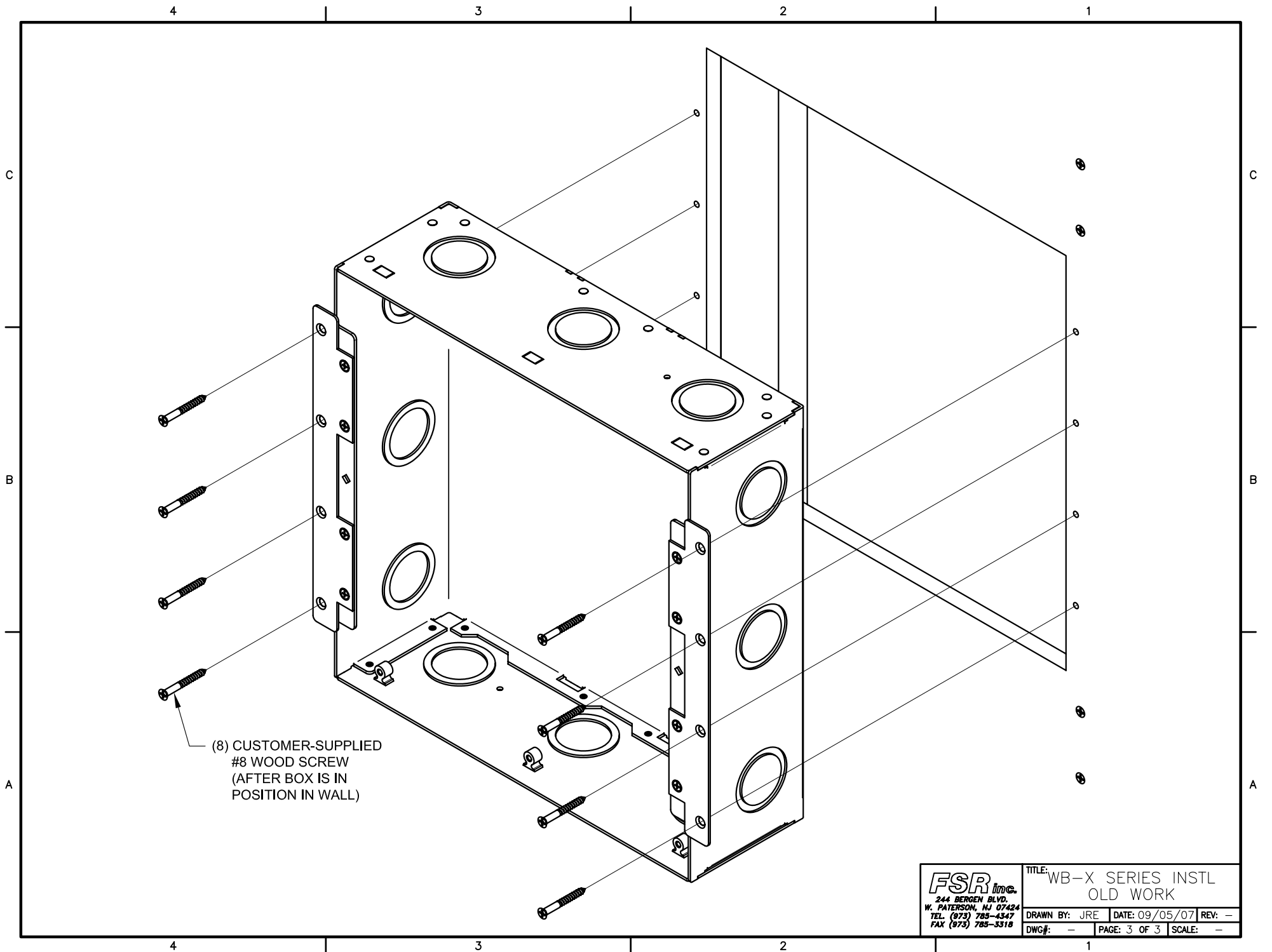
A



4 3 2 1

FSR *INC.*
 244 BERGEN BLVD.
 W. PATERSON, NJ 07424
 TEL. (973) 785-4347
 FAX (973) 785-3318

TITLE: WB-X SERIES INSTL OLD WORK		
DRAWN BY: JRE	DATE: 09/05/07	REV: -
DWG#: -	PAGE: 2 OF 3	SCALE: -



(8) CUSTOMER-SUPPLIED
#8 WOOD SCREW
(AFTER BOX IS IN
POSITION IN WALL)

FSR inc.
244 BERGEN BLVD.
W. PATERSON, NJ 07424
TEL. (973) 785-4347
FAX (973) 785-3318

TITLE: WB-X SERIES INSTL OLD WORK		
DRAWN BY: JRE	DATE: 09/05/07	REV: -
DWG#: -	PAGE: 3 OF 3	SCALE: -