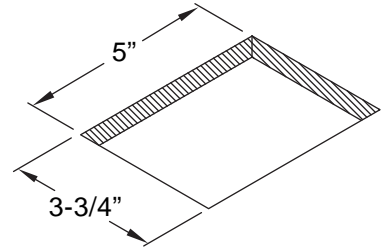
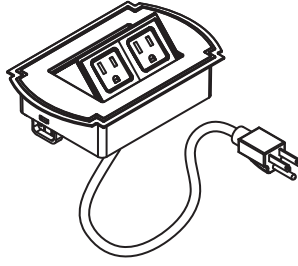
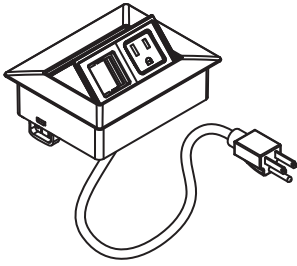
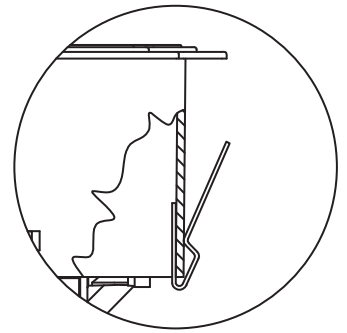
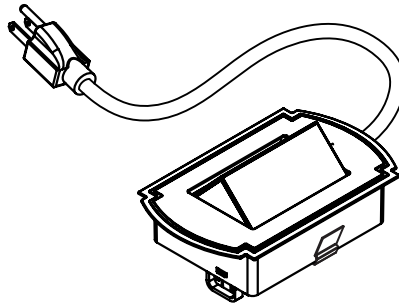
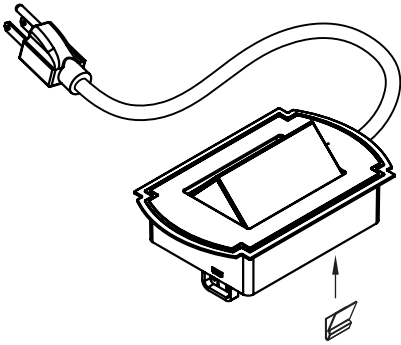


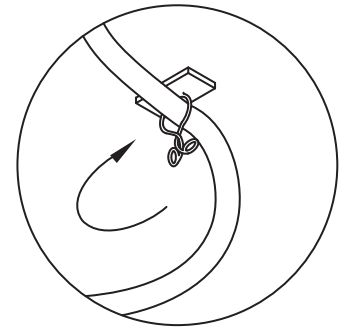
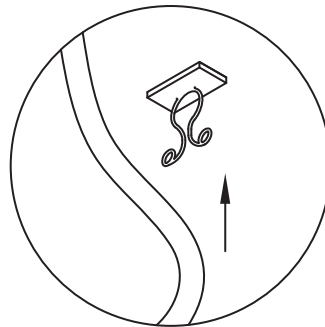
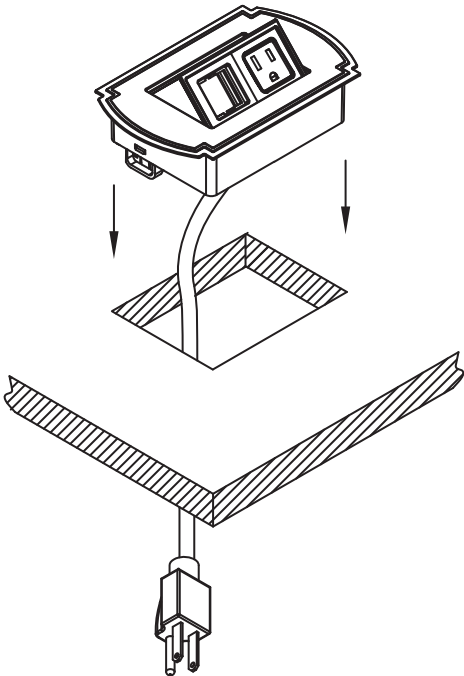
# INSTALLATION INSTRUCTIONS FOR GLENBEIGH™



Install data jacks as described in the installation instructions provided with the data adapters, BE01421



Note: Metal clip to be located on back side of Glenbeigh only.



Note: In a conduit application; conduit should be supported according to local code.