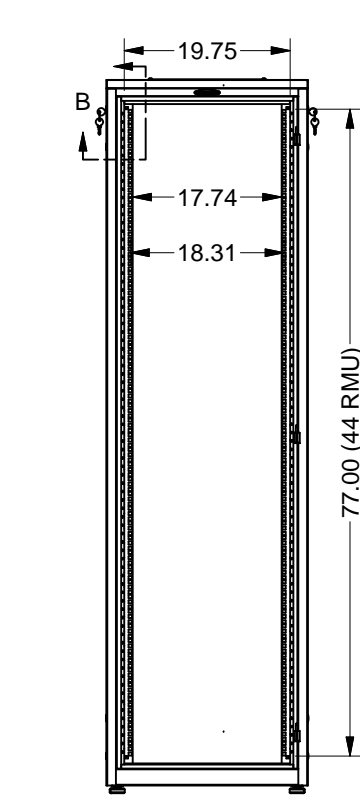


TOP REAR KNOCKOUT FOR CABLE ACCESS (112 sq.in.) OR CHIMNEY EXHAUST

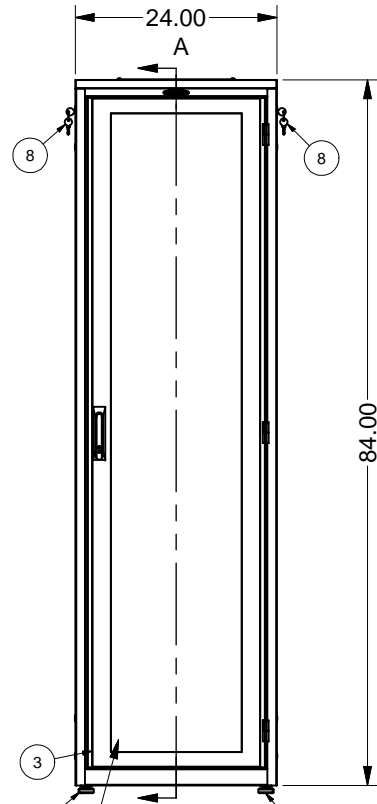
TOP VIEW

Bill of Material			
ITEM	PART NUMBER	QTY	DESCRIPTION
1	8401ES2442	1	ES ENCLOSURE FRAME - 84"H X 24"W X 42"D - PR OF UNIVERSAL 3/8" SQUARE 19" MOUNTING RAILS.
2	8410361ELS	2	SIDE PANEL FOR 42"D DEEP ES ENCLOSURE
3	8402E-MC24	1	MESH CONTOUR DOOR FOR 24"W ES ENCLOSURE
4	8402E24SM	1	SPLIT MESH DOOR FOR 24"W ES ENCLOSURE
5	TPES-S	1	SOLID TOP FOR 840ES2442 ENCLOSURE
6	7209-N	1	SET OF LEVELING GLIDES, 2.5" HIGH, THREADED 1/2-13
7	HARDWARE	1	50 X M6 CAGE NUT & 50 X M6 SCREWS
8	KEYS	6	KEYS FOR ES ENCLOSURE

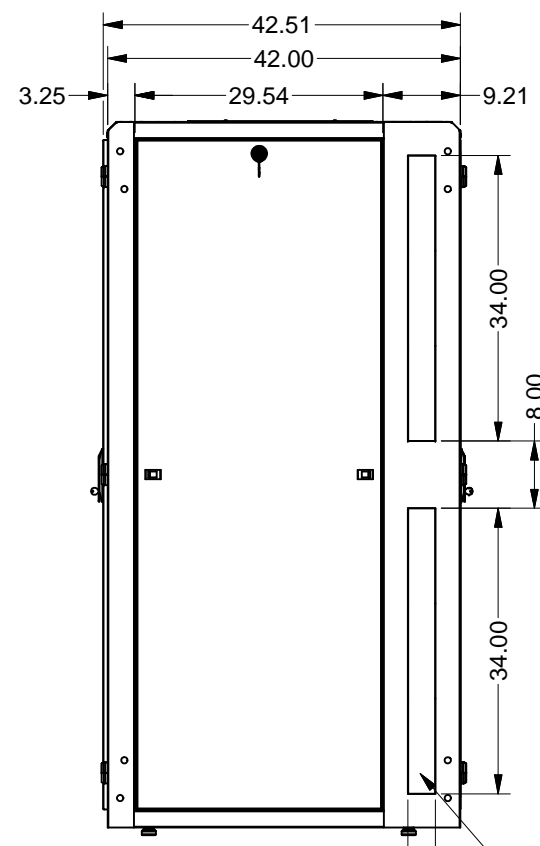


FRONT VIEW DOOR REMOVED

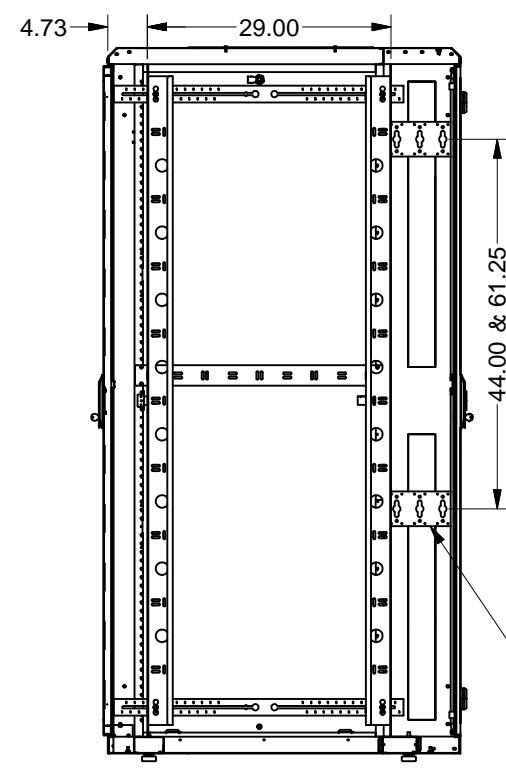
MESH CONTOUR DOOR FRONT AND SPLIT MESH DOORS REAR w/ LOCKING HANDLES LIFT OFF & FIELD REVERSIBLE



FRONT VIEW

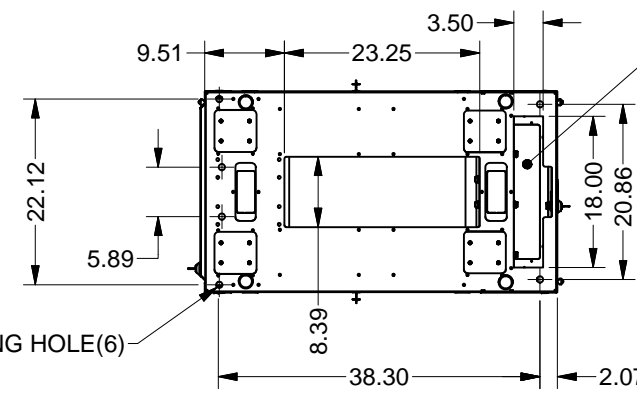


RIGHT SIDE VIEW



SECTION A-A RIGHT SIDE VIEW

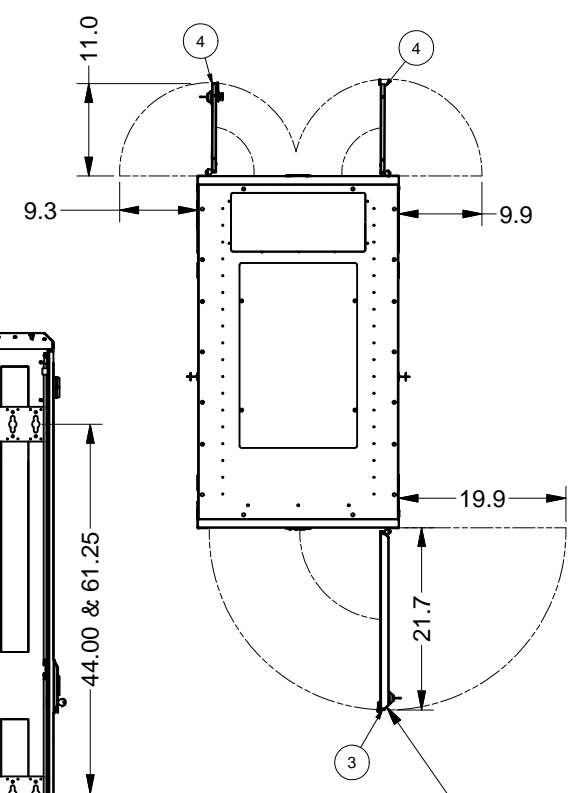
REAR CABLE PASS THRU CABINET TO CABINET w/ OPTIONAL BRUSH GROMMET



BOTTOM VIEW

Ø.75" FLOOR MOUNTING HOLE(6)

REAR BOTTOM CABLE ACCESS AREA (63 sq.in.)



STANDARD MESH CONTOUR DOOR SHOWN FOR REFERENCE 180° DOOR SWING.

UNIVERSAL POWER STRIP MOUNTING BRACKETS KEYED BOTTOM MOUNTING. WILL ACCEPT 3 PDU's, (1) 70"L (MAX.) & (2) 80"L (MAX) x 2.5"W PER SIDE.

SPECIFICATIONS:

DIMENSIONS : 84.0"H (86.0"H w/ OPTIONAL CASTERS) x 24.0"W x 42.0"D

RACK SPACES : 44 RMU w/ NUMBERED RMU INDICATORS, 19" EIA 310-E COMPLIANT.

WEIGHT CAPACITY : 2000 lbs. BOLTED TO FLOOR OR ON LEVELERS, 1800 lbs. ON CASTERS.

COLOR : DURABLE TEXTURED BLACK POWDER COATING

CERTIFICATIONS : UL 60950-1 STANDARD FOR I.T. & COMMUNICATIONS EQ., ENCLOSURES.

CONSTRUCTION : 2 PAIR MOUNTING RAILS, #12 GA. C.R.S. FULLY WELDED FRAME, #14 & #12 GA. C.R.S. DOORS, SIDE PANELS, TOP PANEL, #16 C.R.S.

HARDWARE : PACKAGE OF QTY-50; M6 SCREWS AND CAGE NUTS, INCLUDED.

INTERPRET DRAWING PER ASME Y14.5M-1994
DIMENSIONAL LIMITS APPLY AFTER APPLICATION OF FINISH
DRAWING NOT TO SCALE
TOLERANCE UNLESS OTHERWISE NOTED:
ANGULAR +/- 1°
.XXXX +/- .010
.XXX +/- .015
.XX +/- .030
.X FOR REF. ONLY
UNLESS OTHERWISE SPECIFIED ALL DIMENSIONS ARE IN INCHES

NOTICE:
Use of this document is subject to a confidentiality and nondisclosure agreement with Great Lakes Case & Cabinet Co., Inc. (GLCC) and may not be reproduced, disclosed or utilized in whole or in part without prior written authorization from GLCC.

PART NUMBER:	GL840ES-2442MSS
QTY PER UNIT:	1
MATERIAL TYPE:	
MATERIAL GAUGE:	
FINISH:	
DRAWN DATE:	8/11/2008
CHECKED & APP. DATE:	2/13/2014
WSS	

TITLE	84"H x 24"W x 42"D, ENHANCED SERVER BASE UNIT ASSEMBLY	
	GREAT LAKES CASE & CABINET CO., INC.	
DWG NO.	840ES-2442MSS	REV 13
SHEET:	1 OF 1	

