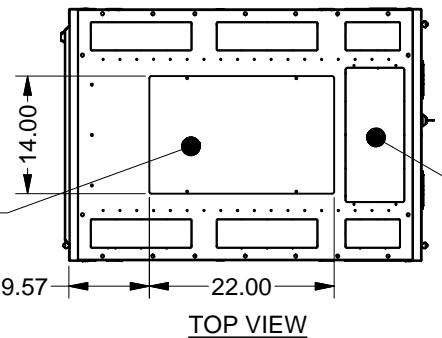
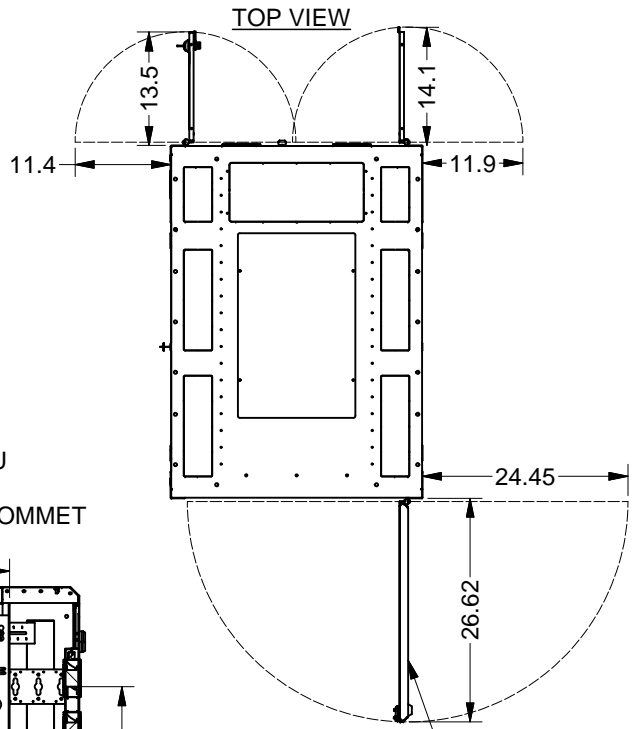


3/8" SQUARE MTG. HOLES 19" EIA 310-E COMPLIANT

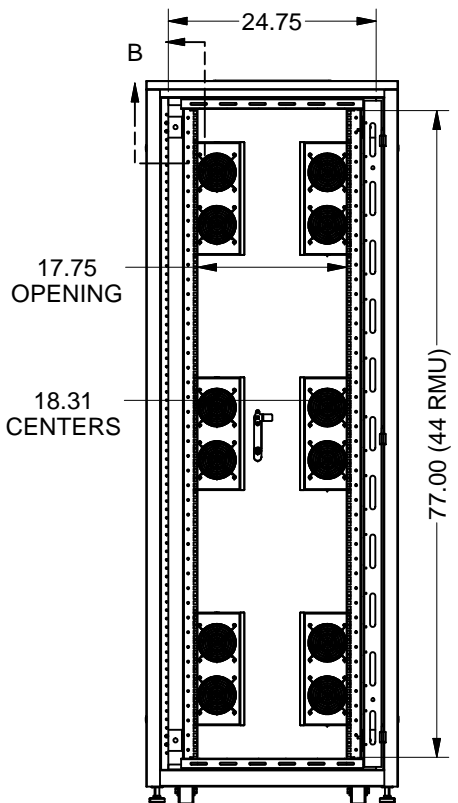
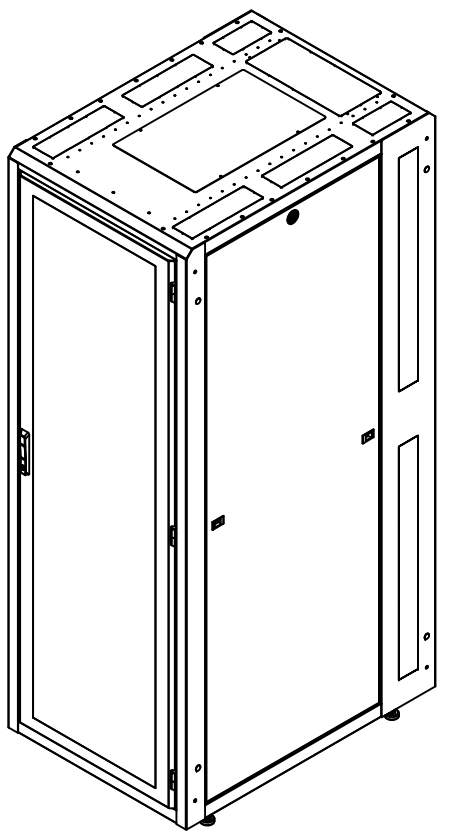
TOP PANEL OPENING (308 sq.in.) SOLID, VENTED, OR WITH EXHAUST FANS UP TO 1100 CFM.



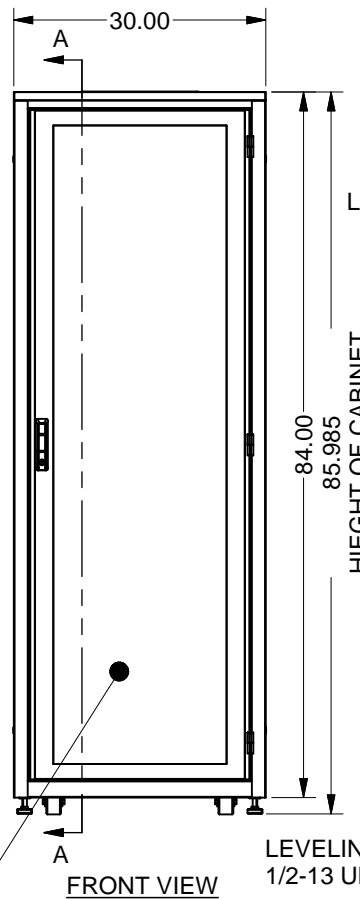
TOP REAR KNOCKOUT FOR CABLE ACCESS (112 sq.in.) OR CHIMNEY EXHAUST



STANDARD MESH CONTOUR DOOR SHOWN FOR REFERENCE 180° DOOR SWING.

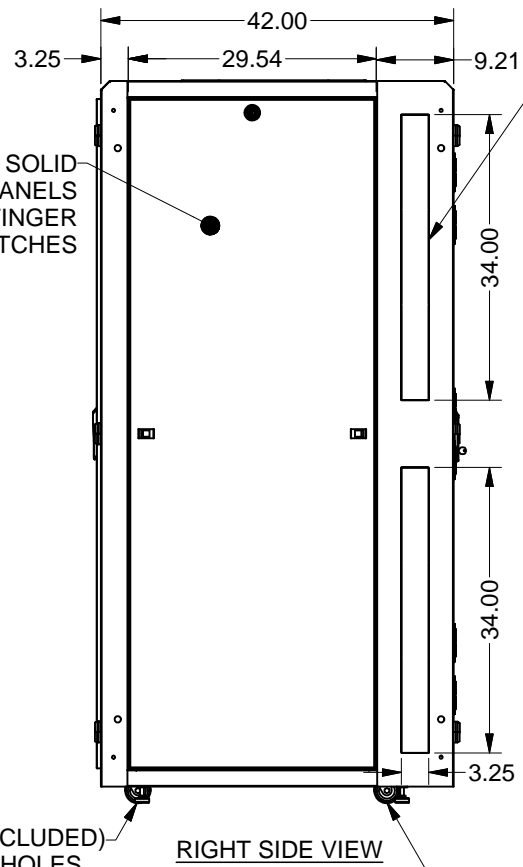


MESH CONTOUR DOORS FRONT AND REAR w/ EASY LATCH LOCKING HANDLES LIFT OFF & FIELD REVERSIBLE



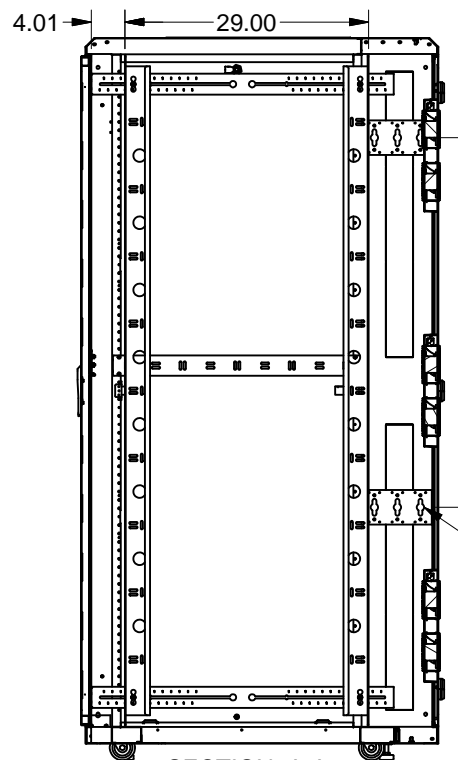
LEVELING GLIDES (4 INCLUDED) 1/2-13 UNC THREADED HOLES

HIEGHT OF CABINET WITH CASTERS OR LEVELERS



OPTIONAL CASTERS SHOWN CASTERS NOT INCLUDED

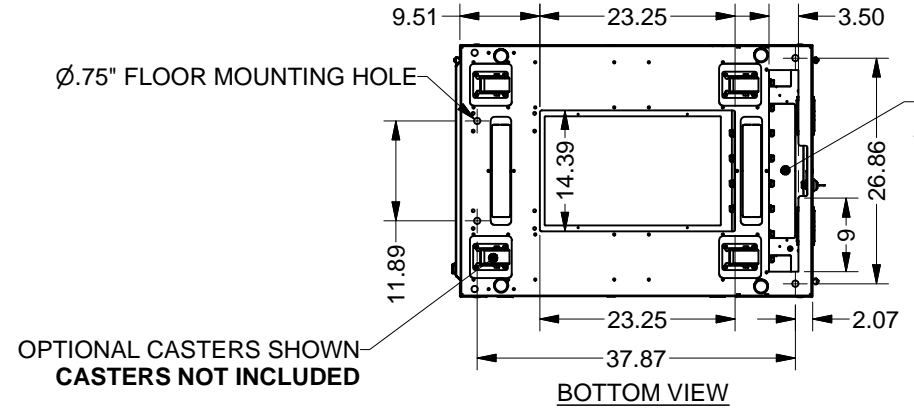
REAR CABLE PASS THRU CABINET TO CABINET w/ OPTIONAL BRUSH GROMMET



UNIVERSAL POWER STRIP MOUNTING BRACKETS KEYED BOTTON MOUNTING. WILL ACCEPT 3 PDU's, (2) 70"L (MAX.) & (1) 80"L (MAX) x 2.5"W PER SIDE.

SPECIFICATIONS:

- DIMENSIONS :** 84.0"H (86.0"H w/ OPTIONAL CASTERS) x 30.0"W x 42.0"D
- RACK SPACES :** 44 RMU w/ NUMBERED RMU INDICATORS, 19" EIA 310-E COMPLIANT.
- WEIGHT CAPACITY :** 2000 lbs. BOLTED TO FLOOR OR ON LEVELERS, 1800 lbs. ON CASTERS.
- COLOR :** DURABLE TEXTURED BLACK POWDER COATING
- CERTIFICATIONS :** UL 60950-1 STANDARD FOR I.T. & COMMUNICATIONS EQ., ENCLOSURES.
- CONSTRUCTION :** 2 PAIR MOUNTING RAILS, #12 GA. C.R.S. FULLY WELDED FRAME, #14 & #12 GA. C.R.S. DOORS, SIDE PANELS, TOP PANEL, #16 C.R.S.
- HARDWARE :** PACKAGE OF QTY-50; M6 SCREWS AND CAGE NUTS, INCLUDED.



OPTIONAL CASTERS SHOWN CASTERS NOT INCLUDED

REAR BOTTOM CABLE ACCESS AREA (63 sq.in.)

INTERPRET DRAWING PER ASME Y14.5M-1994	<p>NOTICE:</p> <p>Use of this document is subject to a confidentiality and nondisclosure agreement with Great Lakes Case & Cabinet Co., Inc. (GLCC) and may not be reproduced, disclosed or utilized in whole or in part without prior written authorization from GLCC.</p>	PART NUMBER: 840ES-3042MS	TITLE ENHANCED SERVER ENCLOSURE, 44 RMU, 19" EIA
DIMENSIONAL LIMITS APPLY AFTER APPLICATION OF FINISH		QTY PER UNIT: 1	GREAT LAKES CASE & CABINET CO., INC.
DRAWING NOT TO SCALE		MATERIAL TYPE: -	
TOLERANCE UNLESS OTHERWISE NOTED: ANGULAR +/- 1° .XXXX +/- .010 .XXX +/- .015 .XX +/- .030 .X FOR REF. ONLY		MATERIAL GAUGE: -	
THIRD ANGLE PROJECTION	UNLESS OTHERWISE SPECIFIED ALL DIMENSIONS ARE IN INCHES	FINISH: -	
		DRAWN BHLS	DATE 6/1/2007
		CHECKED & APP. WSS	DATE 9/24/07
		DWG NO. 840ES-3042MS	REV 2
			SHEET: 1 OF 1