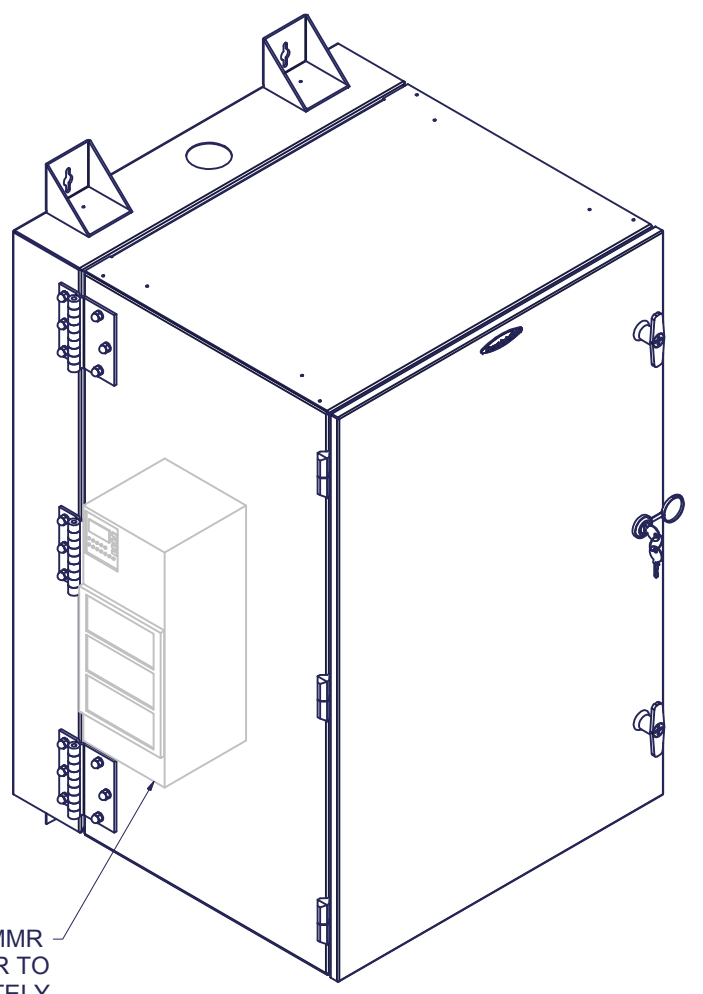
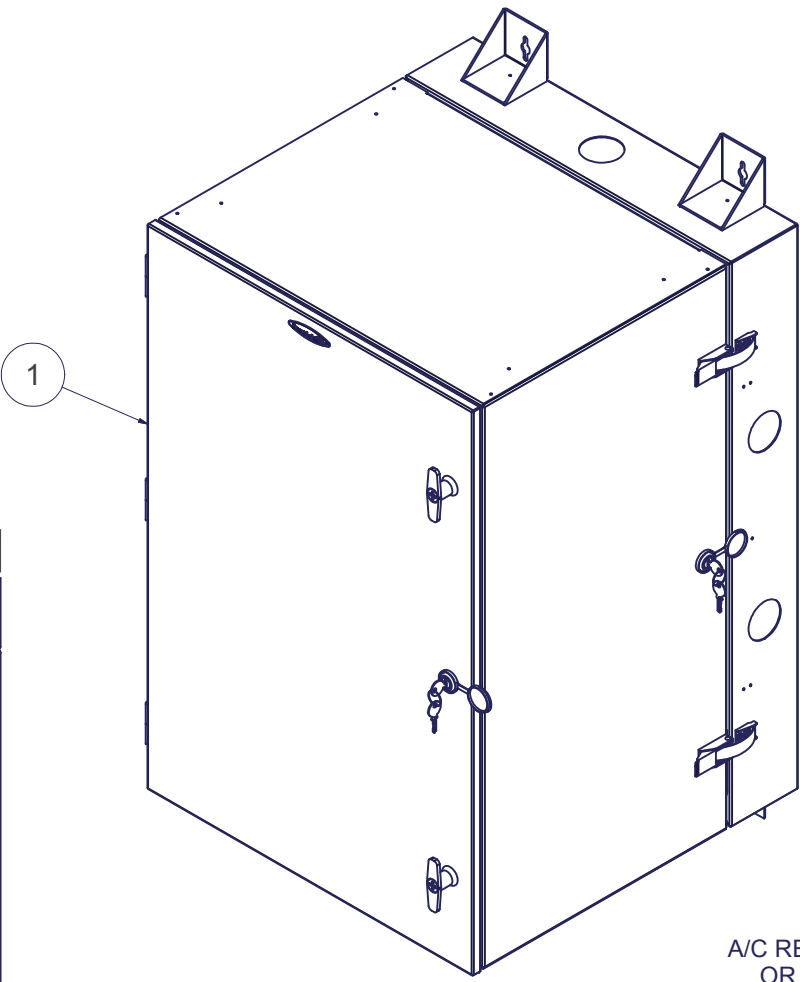
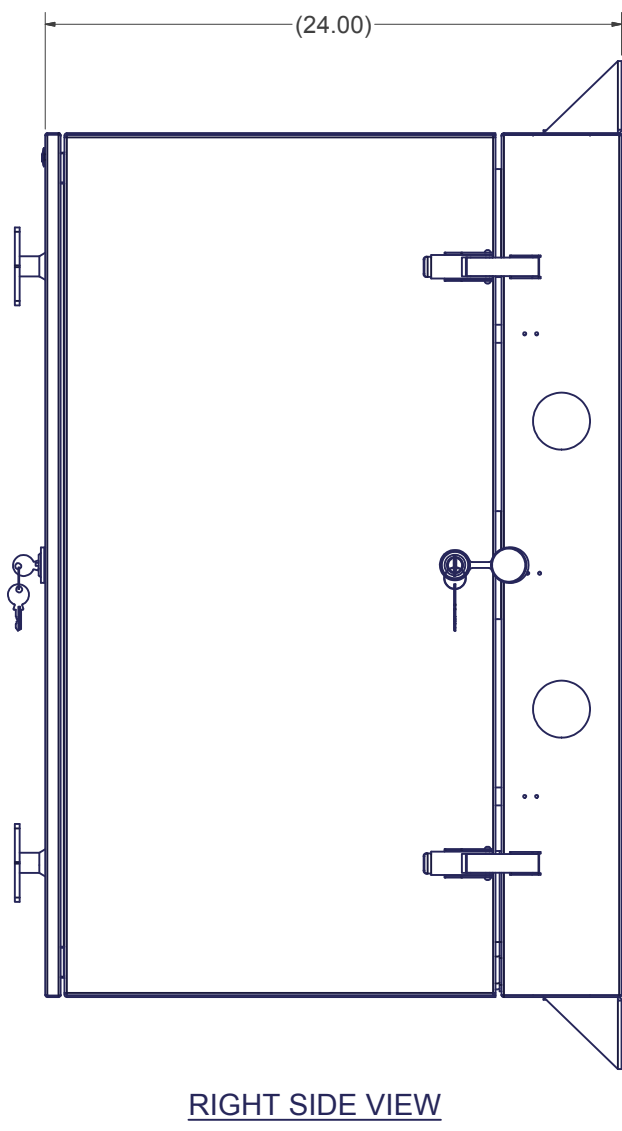
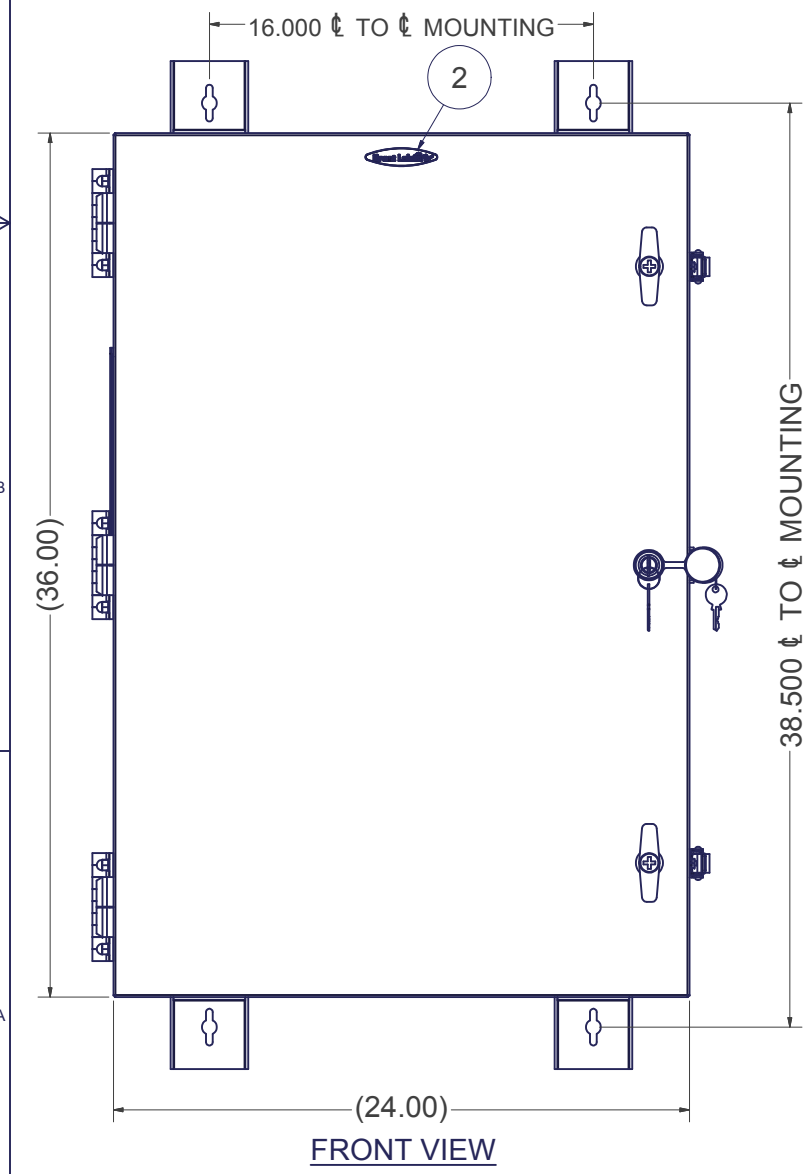
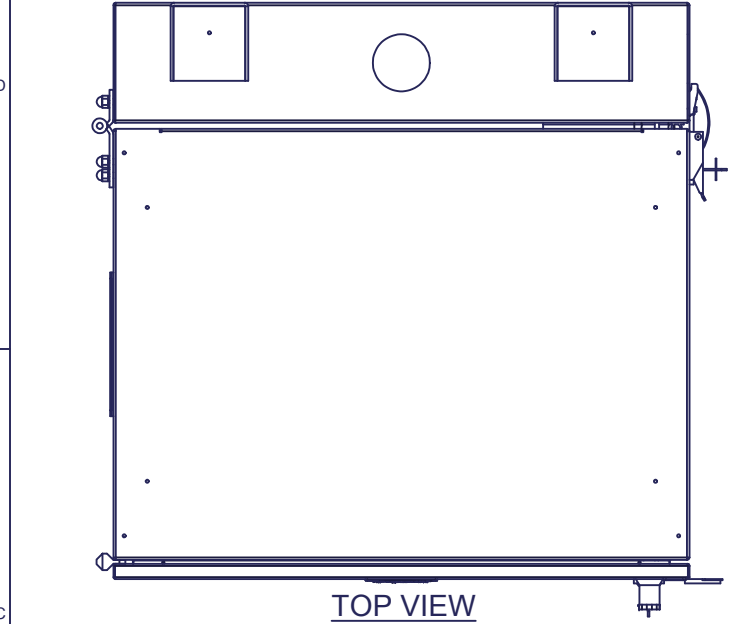


REVISION HISTORY			
REV	DESCRIPTION	DATE	APPROVED
0	ECO-06279	6/6/2014	CDM

Bill of Material						
ITEM	PART NUMBER	STOCK NUMBER	QTY	DESCRIPTION	FILE NAME	REV
1	360N12AX100		1	36"H x 24"W x 24"D NEMA 12 WALL MOUNTED ENCLOSURE ASSEMBLY FOR OPTIONAL A.C. UNITS IQ1000MMR / IQ1300MMR	IQ21873.iam	0
2	H18-003	H18-003	1	GLCC NAME PLATE, AL., 3" x .75" w/ "3MLSE9495" ADHESIVE, LaFrance Corp.	H18-003.ipt	



A/C REF. IQ1000MMR  
OR IQ1300MMR TO  
ORDER SEPERATELY

**SPECIAL NOTES:**

- 1) ADD INSTRUCTIONS - FORM #: MS-5.02-14
- 2) MOUNTING HARDWARE TO BE INCLUDED, QTY (50), #12-24UNC X 1/2" LONG PHILLIPS HEAD BLACK PLATED SCREWS, TYPE 23, IN A CLEAR SEALABLE BAG.
- 3) A LARGER PLASTIC BAG SHALL BE TIED TO THE RAILS, IN THAT BAG SHALL BE THE RESPECTIVE MOUNTING HARDWARE IN THE SEALED BAG, INSTRUCTIONS, AND THE KEYS TO THE UNIT.

EST. WEIGHT :  
124.39 lbmass

INTERPRET DRAWING PER ASME Y14.5M-1994
DIMENSIONAL LIMITS APPLY AFTER APPLICATION OF FINISH
DRAWING NOT TO SCALE
TOLERANCE UNLESS OTHERWISE NOTED:
ANGULAR +/- .1°
.XXXX +/- .010
.XXX +/- .015
.XX +/- .030
.X FOR REF. ONLY
UNLESS OTHERWISE SPECIFIED ALL DIMENSIONS ARE IN INCHES

**NOTICE:**  
Use of this document is subject to a confidentiality and nondisclosure agreement with Great Lakes Case & Cabinet Co., Inc. (GLCC) and may not be reproduced, disclosed or utilized in whole or in part without prior written authorization from GLCC.

PART NUMBER: 3640N12AX200	
QTY PER UNIT: 1	
MATERIAL TYPE: CRS	
MATERIAL GAUGE: SEE DETAILS	
FINISH: -	
DRAWN CDM	DATE 3/5/2010
CHECKED & APP. WSS	DATE 6/13/2014

TITLE 36"H x 24"W x 24"D NEMA 12 WALL MOUNTED ENCLOSURE ASSEMBLY FOR OPTIONAL A.C. UNITS IQ1000MMR/IQ1300MMR	
GREAT LAKES CASE & CABINET CO., INC.	
DWG NO. 1021874	REV 0
SHEET: 1 OF 1	