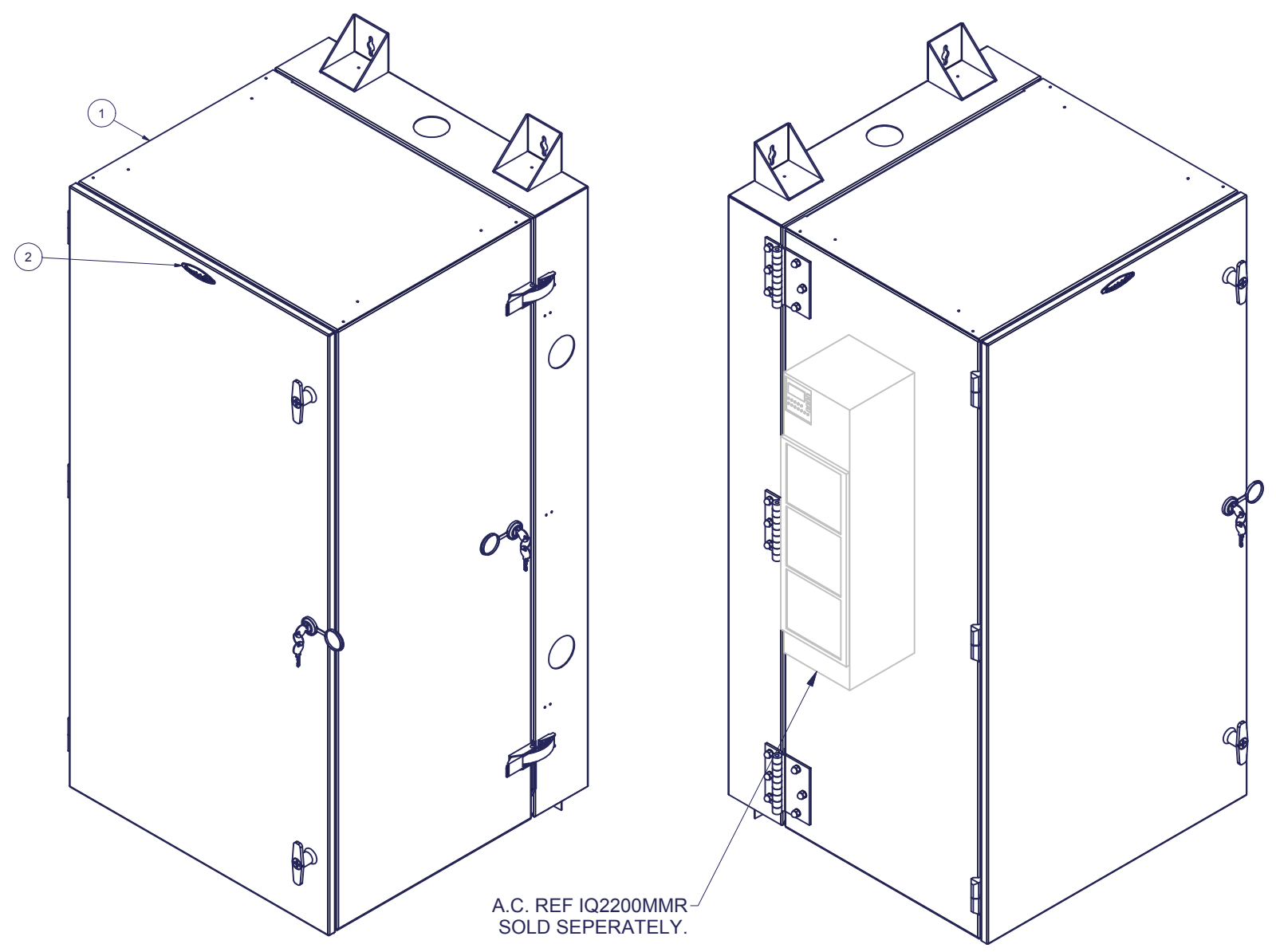
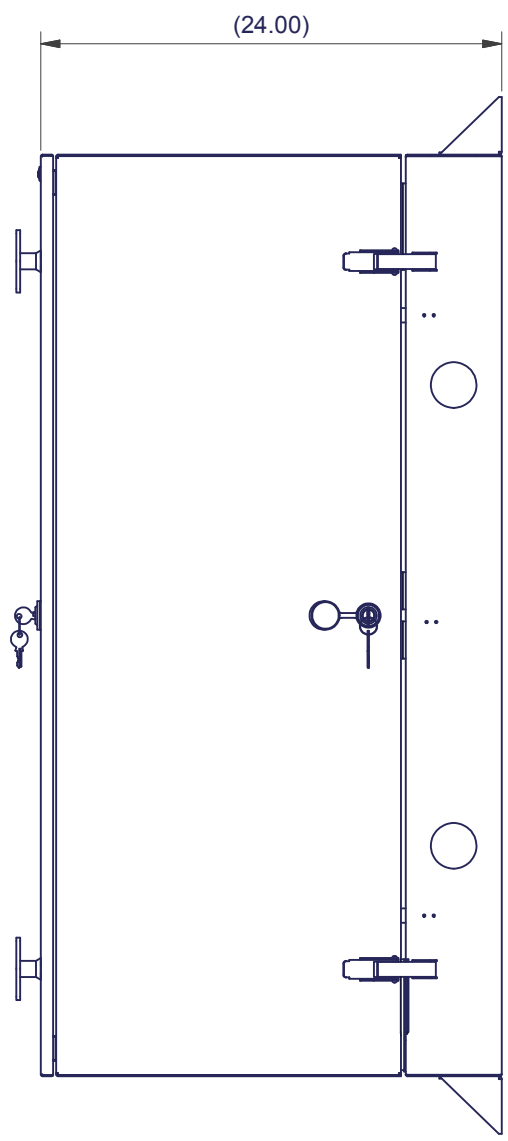
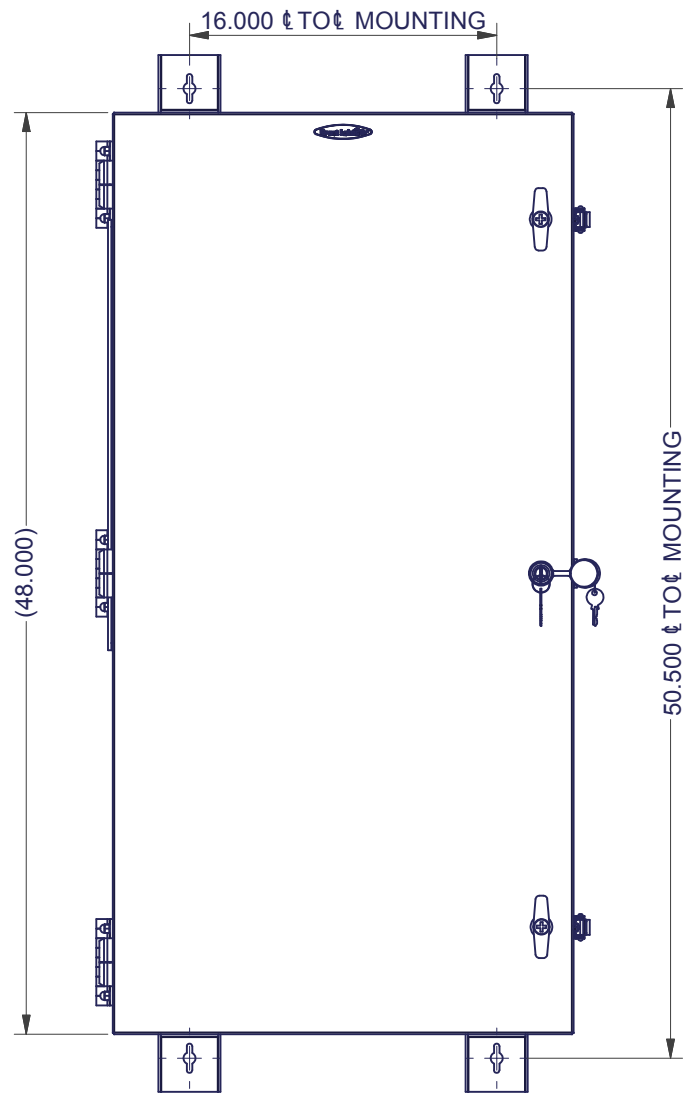
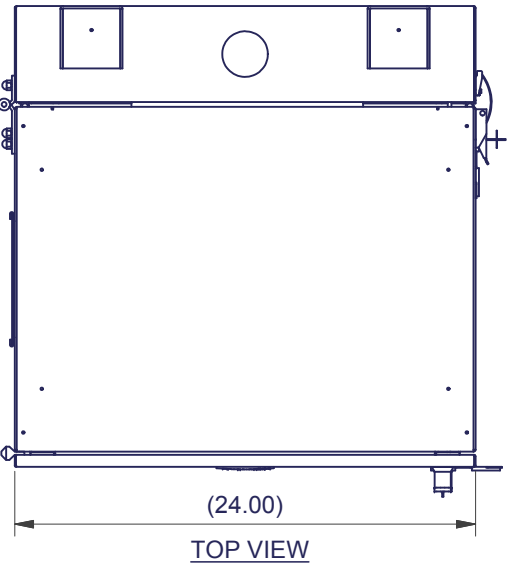


REVISION HISTORY			
REV	DESCRIPTION	DATE	APPROVED
0	ECO-06279	6/9/2014	CDM

Bill of Material						
ITEM	PART NUMBER	STOCK NUMBER	QTY	DESCRIPTION	FILE NAME	REVISION
1	480N12AX100		1	48"H x 24"W x 24"D NEMA 12 WALL MOUNTED ENCLOSURE ASSEMBLY FOR OPTIONAL A.C. UNIT IQ2200MMR	I021880.iam	0
2	H18-003	H18-003	1	GLCC NAME PLATE, AL., 3" x .75" w/ "3MLSE9495" ADHESIVE, LaFrance Corp.	H18-003.ipt	



**NOTES:**

1. ADD INSTRUCTIONS - FORM #: MS-5.02-14.
2. MOUNTING HARDWARE TO BE INCLUDED, QTY (50), #12-24UNC X 1/2" LG PHILLIPS HEAD BLACK PLATED SCREWS, TYPE 23, IN CLEAR SEALABLE BAG.
3. A LARGER PLASTIC BAG SHALL BE TIED TO THE RAILS, IN THAT BAG SHALL BE THE RESPECTIVE MOUNTING HARDWARE IN THE SEALED BAG, INSTRUCTIONS, AND THE KEYS TO THE UNIT.

EST. WEIGHT :  
153.51 lbmass



INTERPRET DRAWING PER ASME Y14.5M-1994  
DIMENSIONAL LIMITS APPLY  
AFTER APPLICATION OF FINISH  
DRAWING NOT TO SCALE  
TOLERANCE UNLESS OTHERWISE NOTED:  
ANGULAR +/- .1°  
.XXXX +/- .010  
.XXX +/- .015  
.XX +/- .030  
.X FOR REF. ONLY  
UNLESS OTHERWISE SPECIFIED  
ALL DIMENSIONS ARE IN INCHES

**NOTICE:**  
Use of this document is subject to a confidentiality and nondisclosure agreement with Great Lakes Case & Cabinet Co., Inc. (GLCC) and may not be reproduced, disclosed or utilized in whole or in part without prior written authorization from GLCC.

PART NUMBER:  
480N12AX200  
QTY PER UNIT:  
1  
MATERIAL TYPE:  
CRS  
MATERIAL GAUGE:  
SEE DETAILS  
FINISH:  
SEE NOTES  
DRAWN  
CDM  
CHECKED & APP.  
WSS  
DATE  
6/5/2014  
DATE  
6/13/2014

TITLE  
48"H x 24"W x 24"D WALL MOUNTED ENCLOSURE ASSEMBLY FOR OPTIONAL A.C. UNITS IQ2200MMR  
GREAT LAKES CASE & CABINET CO., INC.  
DWG NO.  
1021882  
REV  
0  
SHEET: 1 OF 1