

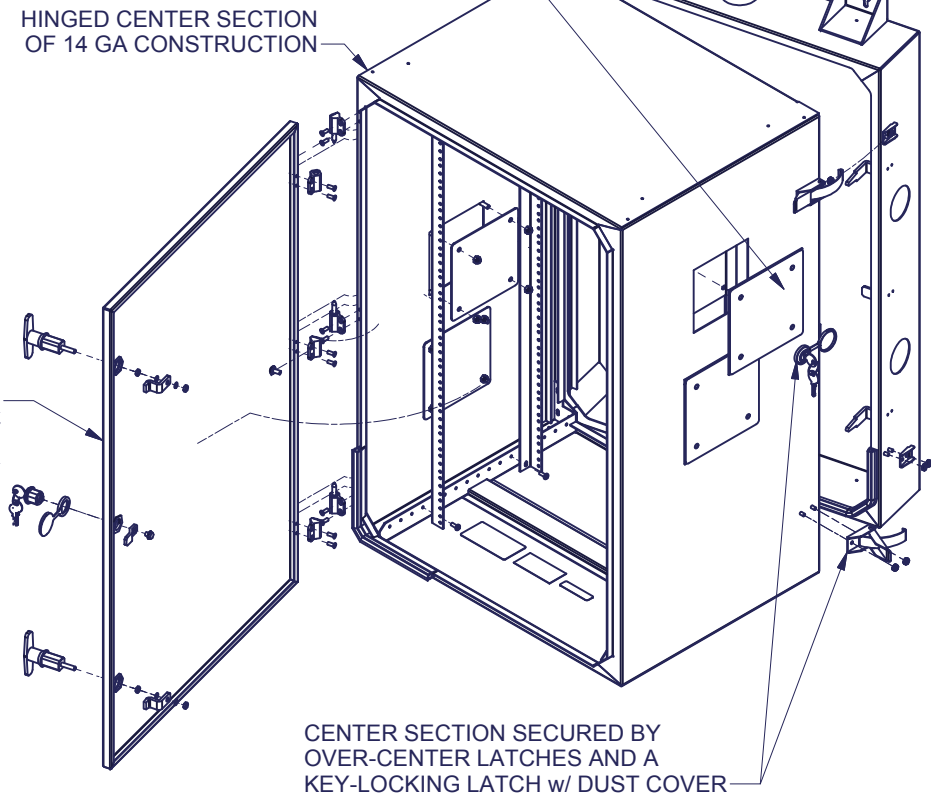
1/4\"/>

GLAND PLATES CAN BE REMOVED TO ADD OPTIONAL FANS OR FILTERS (SEE VIEW w/ OPTIONAL FANS ABOVE)

REAR SECTION OF 14 GA CRS CONSTRUCTION

REAR CABLE ACCESS FOR 2\"/>

(2.469 ACTUAL)



SPECIFICATIONS: NEMA-12 WALL MOUNT

RATING : INDEPENDENTLY TESTED & CERTIFIED, NEMA-250-1997 TYPE 12.

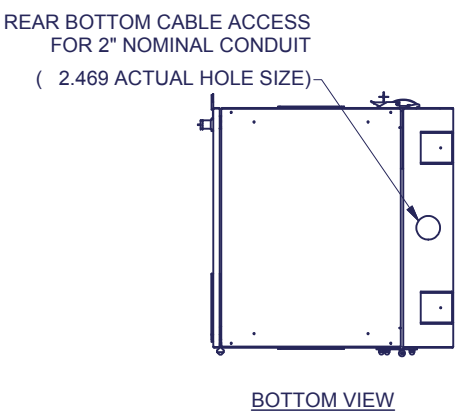
RACK SPACES: 19\"/>

COLOR: DURABLE BLACK TEXTURED POWDER COAT.

CONSTRUCTION: #12-24 THREADED MOUNTING RAILS, #12 GA. #14 GA. CENTER BODY, # 16 GA. FRONT DOOR. ACCEPTS 2\"/>

USABLE DEPTH: 22.0\"/>

PART NUMBER	(H) - HEIGHT	(# RMU)	WT CAPACITY	SHPG WT	# of FANS
GL240N12	24"	12	150 LBS	105 LBS	1
GL360N12	36"	19	250 LBS	140 LBS	2
GL480N12	48"	26	300 LBS	175 LBS	3



SOLID HINGED 16 GA FRONT DOOR w/ (2) DRAW LATCHES PLUS A KEY LOCKING LATCH w/ DUST COVER

INTERPRET DRAWING PER ASME Y14.5M-1994
 DIMENSIONAL LIMITS APPLY AFTER APPLICATION OF FINISH
 DRAWING NOT TO SCALE
 TOLERANCE UNLESS OTHERWISE NOTED:
 ANGULAR +/- .1
 .XXXX +/- .010
 .XXX +/- .015
 .XX +/- .030
 X FOR REF. ONLY
 UNLESS OTHERWISE SPECIFIED ALL DIMENSIONS ARE IN INCHES

NOTICE:
 Use of this document is subject to a confidentiality and nondisclosure agreement with Great Lakes Case & Cabinet Co., Inc. (GLCC) and may not be reproduced, disclosed or utilized in whole or in part without prior written authorization from GLCC.

PART NUMBER:	TITLE: NEMA 12K Wall Mount Series: GL240N12, GL360N12, GL480N12
QTY PER UNIT: 1	GREAT LAKES CASE & CABINET CO., INC.
MATERIAL TYPE:	
MATERIAL GAUGE:	
FINISH: SEE NOTES	
DRAWN DATE	DWG NO:
CHECKED & APP. DATE	REV: 0
	SHEET: 1 OF 1

