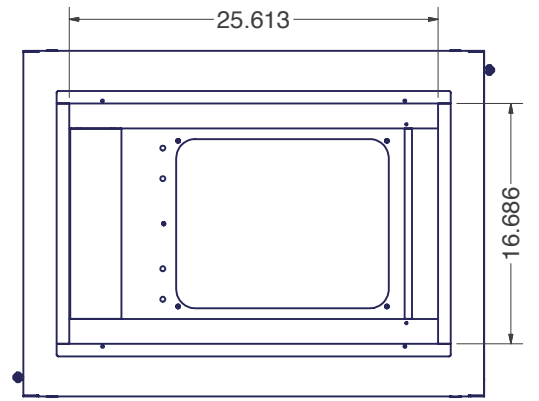
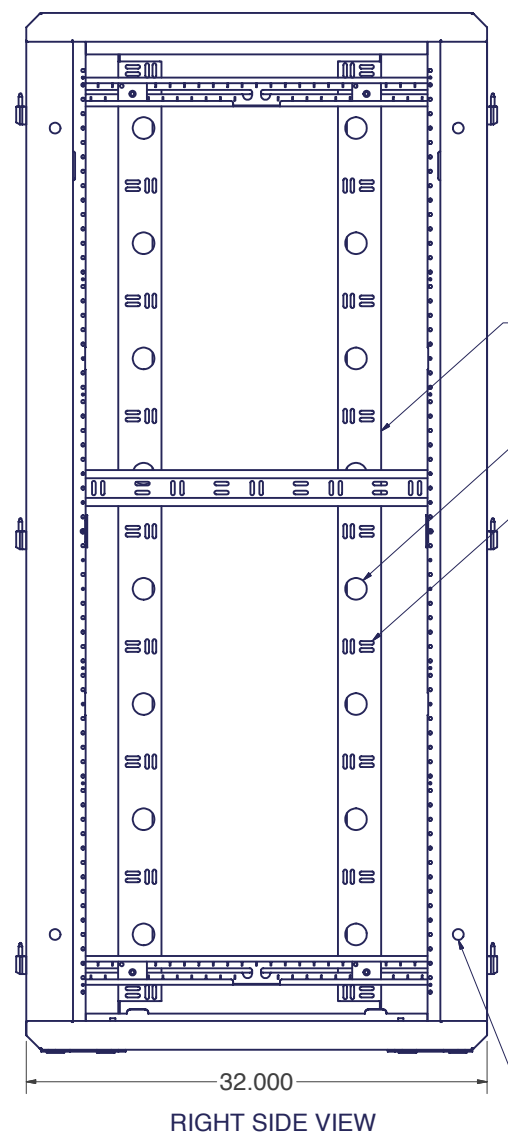


37 RMU, 12 GAUGE RAIL, 0.375 SQ. CAGE NUT (SHOWN)
OR TAPPED #10/32

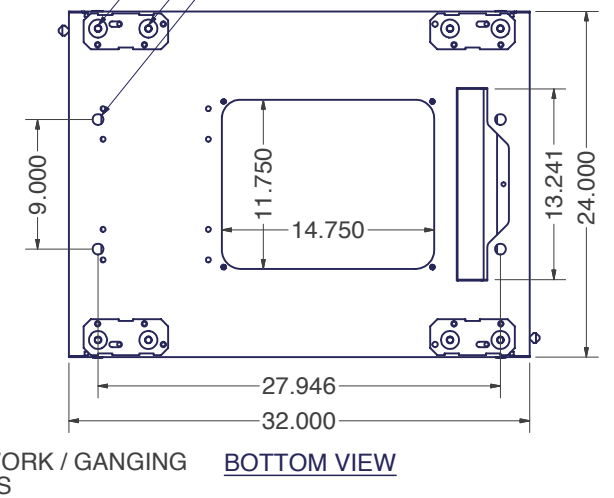


SLIDING RAILS FOR
INFINITE ADJUSTMENT
FRONT TO REAR

1.50" DIA. CABLE
PASS THROUGH HOLES

VERTICAL/HORIZONTAL
TIE-DOWN SLOTS

1/2"-13 LEVELER HOLE
1/2"-13 CASTER HOLE
0.75" DIA. ANCHOR HOLES



NETWORK / GANGING
HOLES

INTERPRET DRAWING PER ASME Y14.5M 1994
DIMENSIONAL LIMITS APPLY AFTER APPLICATION OF FINISH
DRAWING NOT TO SCALE
TOLERANCE UNLESS OTHERWISE NOTED:
ANGULAR +/- 1-
.XXXX +/- .010
.XXX +/- .015
.XX +/- .030
.X FOR REF. ONLY
UNLESS OTHERWISE SPECIFIED ALL DIMENSIONS ARE IN INCHES

NOTICE:
Use of this document is subject to a confidentiality and nondisclosure agreement with Great Lakes Case & Cabinet Co., Inc. (GLCC) and may not be reproduced, disclosed or utilized in whole or in part without prior written authorization from GLCC.

PART NUMBER:	7201E2432
QTY PER UNIT:	1
MATERIAL TYPE:	-
MATERIAL GAUGE:	-
FINISH:	-
DRAWN:	DATE
CA	8/21/2002
CHECKED & APP.	DATE
WSS	5-24 05

TITLE		
BASE UNIT ASSEMBLY - 72" H X 24" W X 32" D E CABINET		
DWG NO:	REV	SHEET: 2 OF 2
7201E2432	14	

