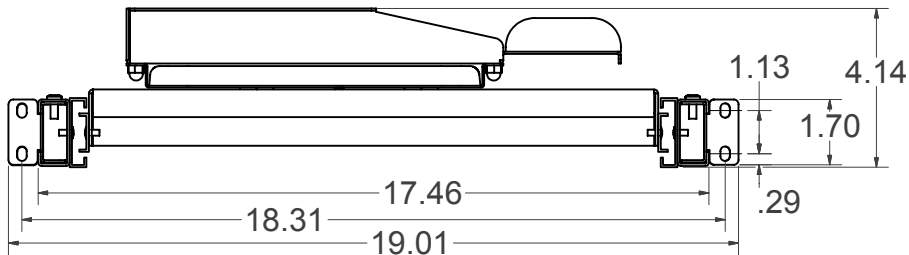
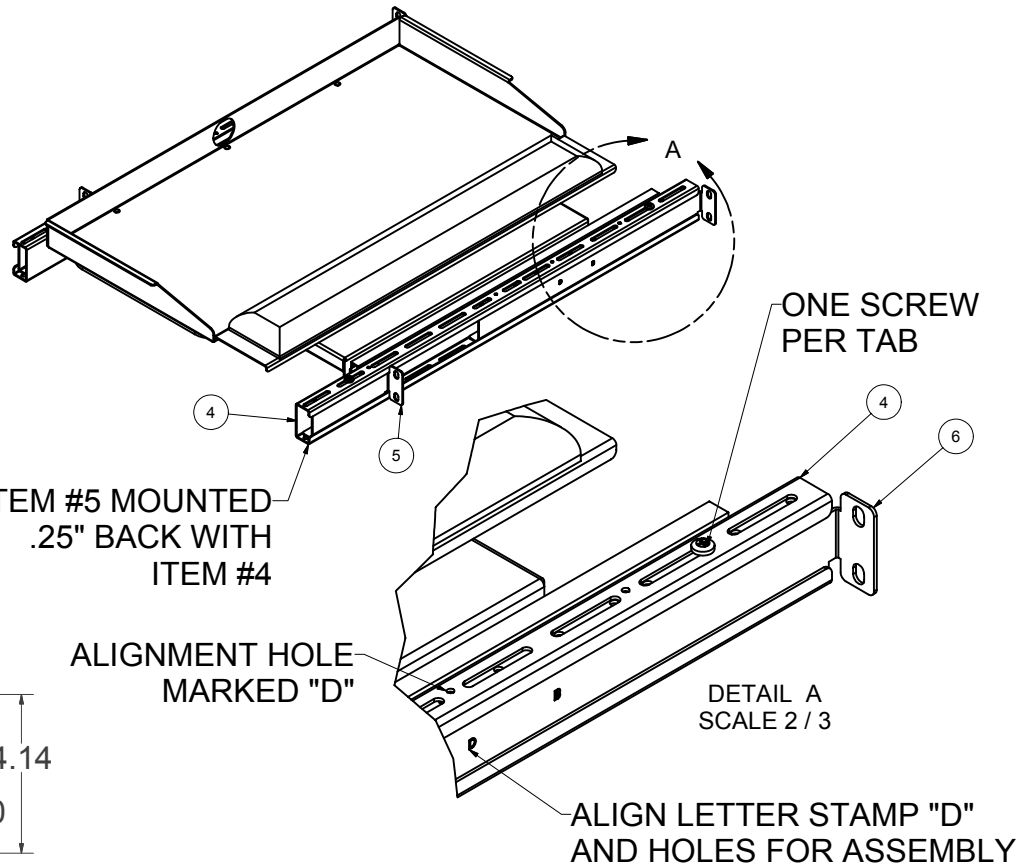


Bill of Material					
ITEM	PART NUMBER	QTY	DESCRIPTION	FILE NAME	REVISION
1	7206PKBX109	1	MOUSE TRAY BRACKET	I000419.iam	8
2	383418DOC	2	ACCURIDE SLIDE 19" TRAVEL DISCONNECT	383418DOC-assembly.iam	-
3	7206PKBMTX102	1	PIVOTING KEYBOARD TRAY	I000416.iam	8
4	7206PKBX104	2	PKB MOUNTING CHANNEL	I000417.ipt	6
5	-	2	PKB SHORT MOUNTING TAB	I000420.ipt	0
6	-	2	PKB LONG MOUNTING TAB	I000421.ipt	1
7	7206PKBX108	1	PIVOTING KEYBOARD BASE TRAY	I000418.ipt	6
11	10/32X1/2SC23	5	#10-32 x 1/2" L PAN HEAD PHIL ZN PL TYPE 23 SC	10-32X500SC23.ipt	-
8	24SW0010B	9	BLACK NYLON SHOULDER WASHER - MICROPLASTICS	24SW0010B.ipt	-
9	0501032LCNBLK	11	ACORN NUT, #10-32, BLACK NYLON, LOCKING	0501032LCNBLK.ipt	-
10	3710BKIMPRINT	1	SUNWAY WRIST REST W/ IMPRINT	3710BKIMPRINT.ipt	-
11	7206PKBMTX101	5	SLIDING MOUSE TRAY (PLASTIC)	I000415.ipt	3
13	POP RIVET - #SD-53-BS	12	POP RIVET 5/32" - K & L SALES (klsales.com)	POP RIVET - SD-53-BS.ipt	-



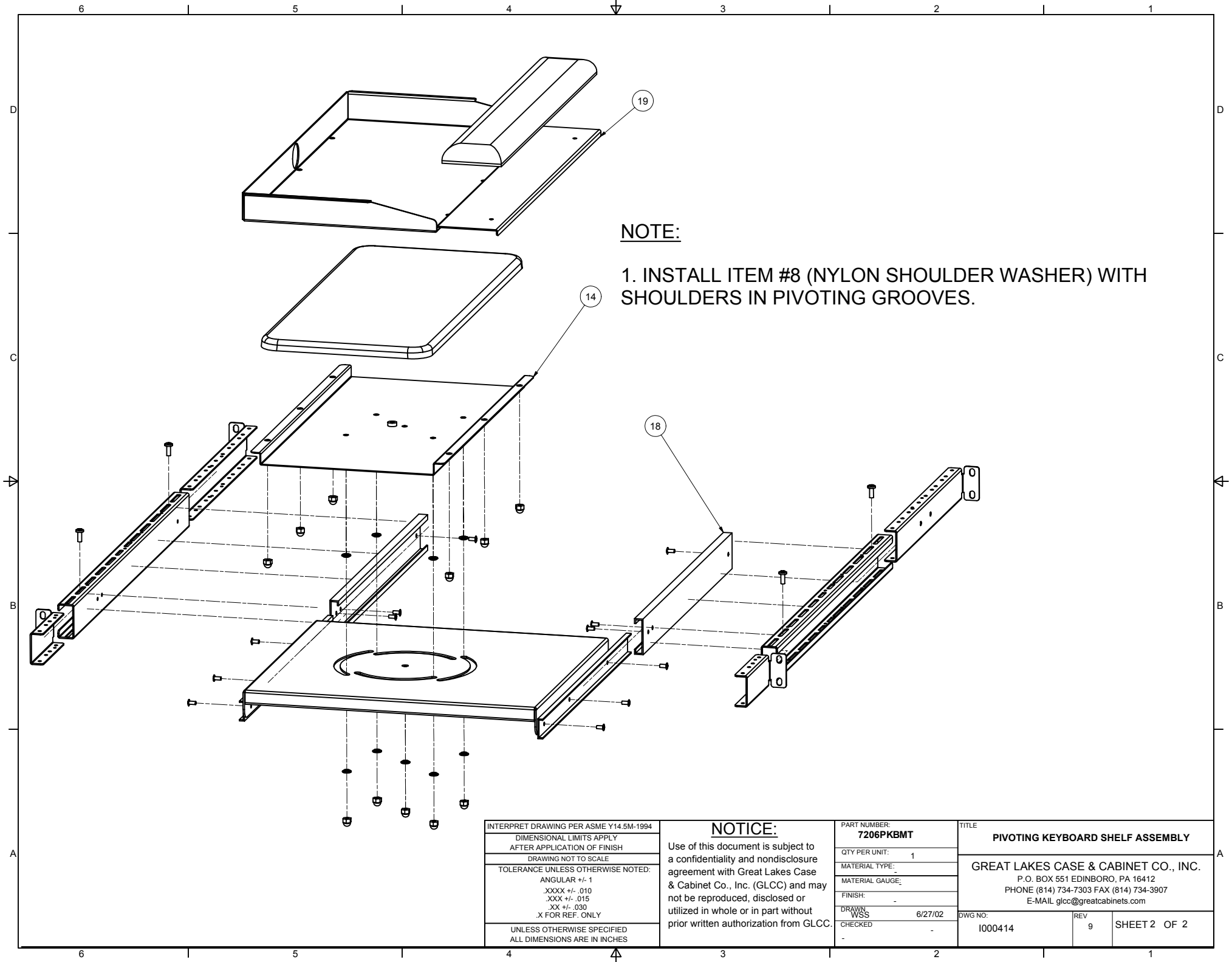
- A) Shelf Dimensions: 4.14" Mtg. H x (20.63"W x 9.69"D Tray Size)
- B) Rack Mounting: 19" EIA
- C) Weight Capacity: N/A
- D) Standard Tab Placement: 18.375"
- E) Maximum Tab Placement: 36.12"
- F) Gauge: 16 Ga. CRS/Powder Coat, Black Texture
- G) Slide Travel: 19.0"

INTERPRET DRAWING PER ASME Y14.5M-1994
DIMENSIONAL LIMITS APPLY AFTER APPLICATION OF FINISH
DRAWING NOT TO SCALE
TOLERANCE UNLESS OTHERWISE NOTED:
ANGULAR +/- 1
.XXXX +/- .010
.XXX +/- .015
.XX +/- .030
.X FOR REF. ONLY
UNLESS OTHERWISE SPECIFIED ALL DIMENSIONS ARE IN INCHES

**NOTICE:**  
 Use of this document is subject to a confidentiality and nondisclosure agreement with Great Lakes Case & Cabinet Co., Inc. (GLCC) and may not be reproduced, disclosed or utilized in whole or in part without prior written authorization from GLCC.

PART NUMBER: <b>7206PKBMT</b>
QTY PER UNIT: 1
MATERIAL TYPE:
MATERIAL GAUGE:
FINISH:
DRAWN WSS 6/27/02
CHECKED

TITLE <b>PIVOTING KEYBOARD SHELF ASSEMBLY</b>
GREAT LAKES CASE & CABINET CO., INC. P.O. BOX 551 EDINBORO, PA 16412 PHONE (814) 734-7303 FAX (814) 734-3907 E-MAIL glcc@greatcabinets.com
DWG NO: I000414
REV 9
SHEET 1 OF 2



**NOTE:**

1. INSTALL ITEM #8 (NYLON SHOULDER WASHER) WITH SHOULDERS IN PIVOTING GROOVES.

INTERPRET DRAWING PER ASME Y14.5M-1994  
 DIMENSIONAL LIMITS APPLY  
 AFTER APPLICATION OF FINISH  
 DRAWING NOT TO SCALE  
 TOLERANCE UNLESS OTHERWISE NOTED:  
 ANGULAR +/- 1  
 .XXXX +/- .010  
 .XXX +/- .015  
 .XX +/- .030  
 .X FOR REF. ONLY  
 UNLESS OTHERWISE SPECIFIED  
 ALL DIMENSIONS ARE IN INCHES

**NOTICE:**  
 Use of this document is subject to a confidentiality and nondisclosure agreement with Great Lakes Case & Cabinet Co., Inc. (GLCC) and may not be reproduced, disclosed or utilized in whole or in part without prior written authorization from GLCC.

PART NUMBER:  
**7206PKBMT**  
 QTY PER UNIT: 1  
 MATERIAL TYPE:  
 MATERIAL GAUGE:  
 FINISH:  
 DRAWN: WSS 6/27/02  
 CHECKED: -

TITLE <b>PIVOTING KEYBOARD SHELF ASSEMBLY</b>		
GREAT LAKES CASE & CABINET CO., INC. P.O. BOX 551 EDINBORO, PA 16412 PHONE (814) 734-7303 FAX (814) 734-3907 E-MAIL glcc@greatcabinets.com		
DWG NO: 1000414	REV 9	SHEET 2 OF 2