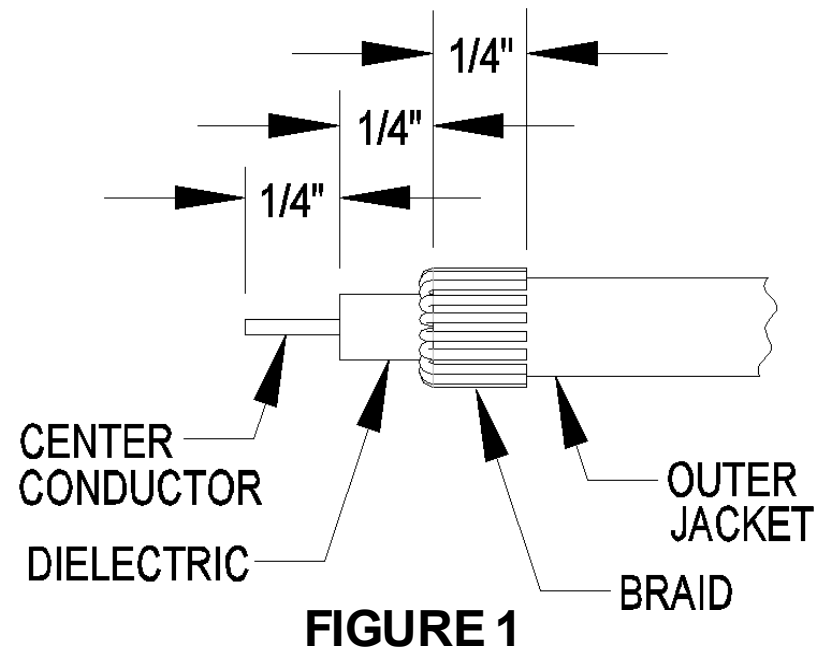




[www.icmcorp.net](http://www.icmcorp.net)

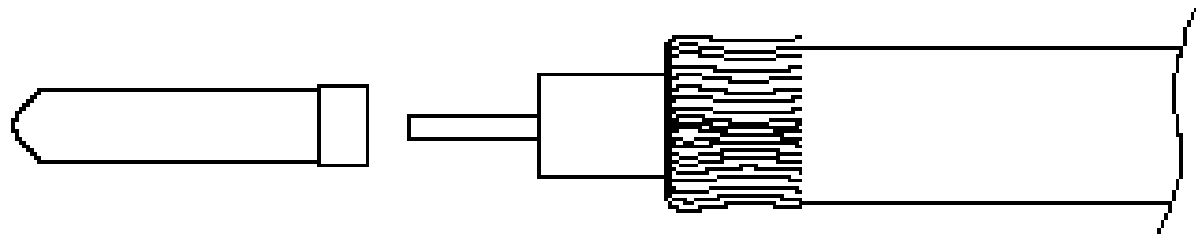
CABLE SERIES: 59 OR 6  
TOOL: CPLCCT-SLM  
TIP: LMTIP-S (FS) OR LMTIP-G (RG)  
STRIPPER: PSA59/6



## RCA INSTALLATION INSTRUCTIONS

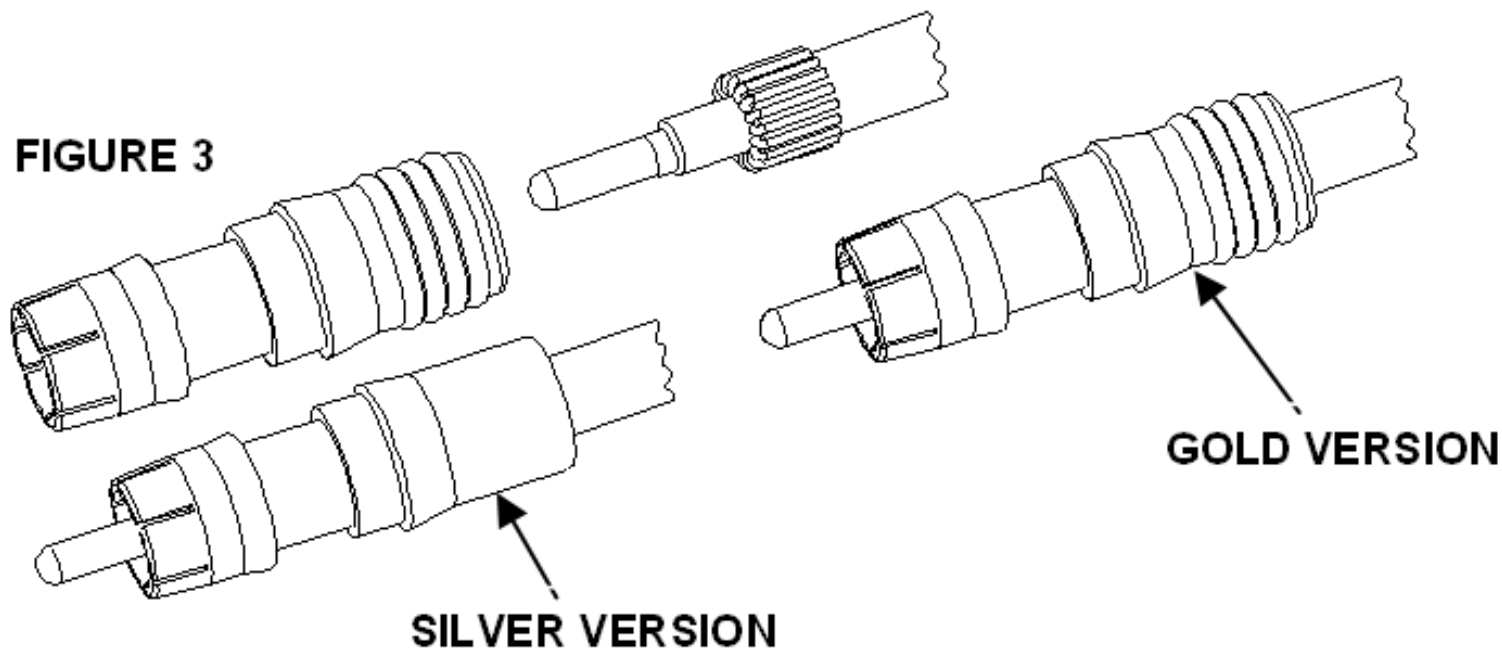
Use an industry standard  $\frac{1}{4}$ " x  $\frac{1}{4}$ " cable prep tool. Assure that braid is folded back onto the jacket as shown in Figure 1.

**FIGURE 2**



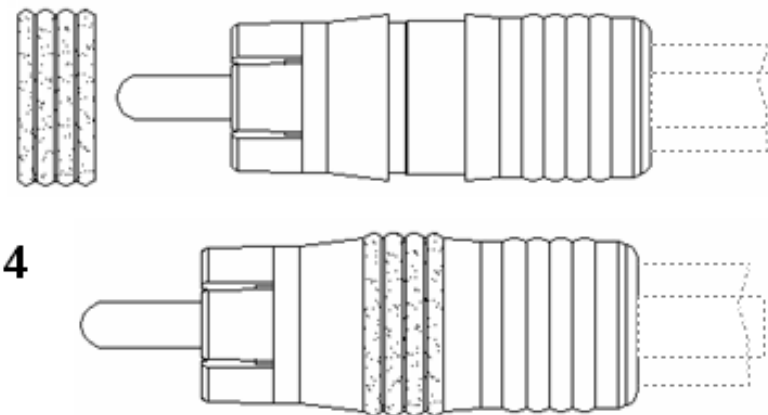
Insert pin onto the prepared cable according to Figure 2.

Insert cable with pin attached as shown in Figure 3. You will feel the pin click into position.



Install the color ring onto the connector as shown in figure 4.

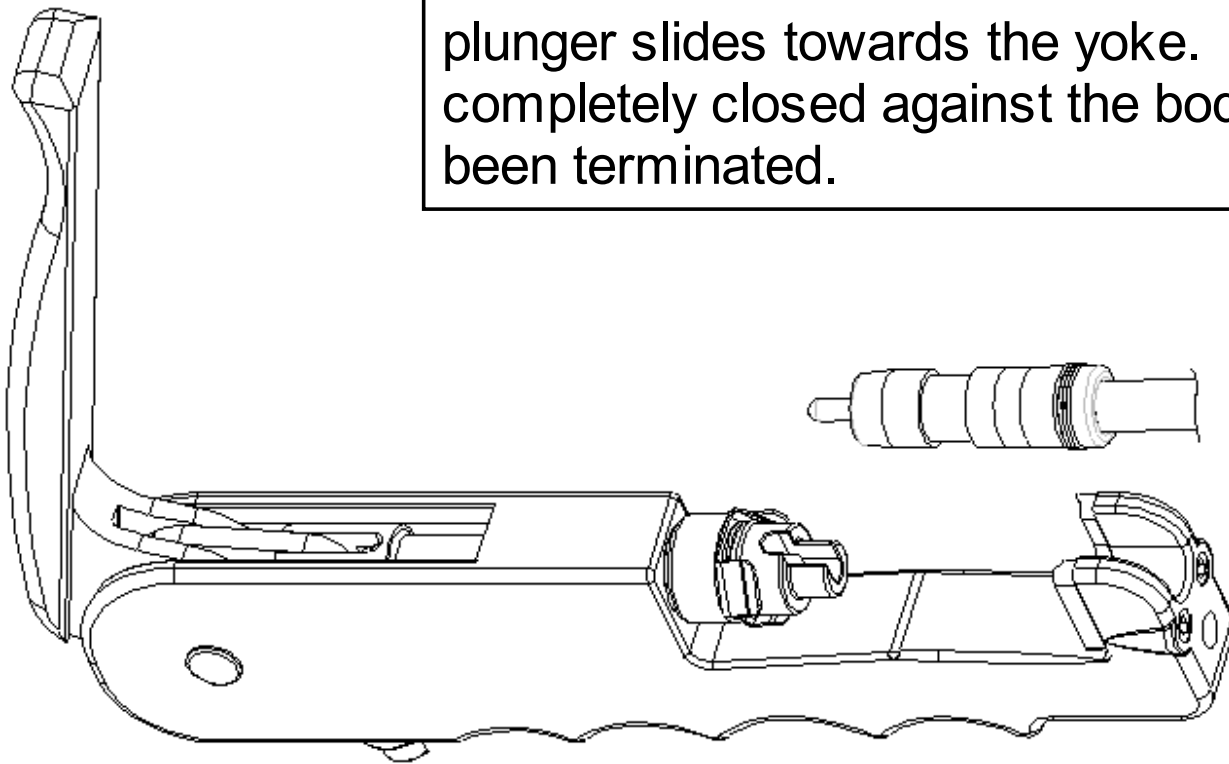
**FIGURE 4**



## CPLCCT-SLM Tool Instructions

Insert the appropriate tip into the BNC spring clip before inserting the RCA connector. Insert the tip so that the slot opening faces up. The tip can be stored on the bottom of the tool by screwing it in place on the underside of the body.

Grasp the body of the tool with your fingers and start to close the handle of the tool. As the handle closes, the plunger slides towards the yoke. When the handle is completely closed against the body, the connector has been terminated.



Connector Color Code and Sizing Chart				
Connector Part Number		Color Band	Coax Type	Coax Size Selector
FS59BNCU FS59IECUM FS59U RG59U RG59IECUM	FS59IECUF FS59RCAU RG59BNCU RG59IECUF RG59RCAU	Red	UNIVERSAL RG59	Center Cond.-.031 Dielectric-.157/.144 Outer Jacket-.273/.236
FS6BNCU FS6IECUM FS6U RG6IECUF RG6RCAU	FS6IECUF FS6RCAU RG6BNCU RG6IECUM RG6U	Green	UNIVERSAL RG6	Center Cond.-.040 Dielectric-.193/.180 Outer Jacket-.305/.265
FSBNC1RGB RGBBNC1RGB	FSRCA1RGB RGRCA1RGB	Orange	RGB	Center Cond.-.025/.015 Dielectric-.078/.065 Outer Jacket-.110/.095
FSBNC15RGB RGBBNC15RGB	FSRCA15RGB RGRCA15RGB	Purple	RGB	Center Cond.-.025/.015 Dielectric-.105/.095 Outer Jacket-.160/.145
FS59BNCPL FS59RCAPL	FS59PL	Red	PLENIUM	Center Cond.-.031 Dielectric-.157/.145 Outer Jacket-.210/.190
FS6BNCPL FS6RCAPL	FS6PL	Green	PLENIUM	Center Cond.-.040 Dielectric-.193/.180 Outer Jacket-.248/.232
FS59BNCSL FS59RCASL	FS59SL	Red	SECURITY	Center Cond.-.031 Dielectric-.148/.137 Outer Jacket-.248/.232
FS11 FS11H	FS11BNC	Black	SERIES 11	Center Cond.-.063 Dielectric-.294/.280 Outer Jacket-.417/.390
	FS59URA	Red	UNIVERSAL RIGHT ANGLE RG59	Center Cond.-.031 Dielectric-.157/.144 Outer Jacket-.273/.236
	FS6URA	Green	UNIVERSAL RIGHT ANGLE RG6	Center Cond.-.040 Dielectric-.193/.180 Outer Jacket-.305/.265