

Fiber Optic Adapters

APPLICATION

Adapters for voice/data/image fiber optic connectivity are designed for LAN, WAN, and MAN applications. Compatible with field or factory terminated connectors, on singlemode or multimode fiber cable. Fiber adapters are compatible with unloaded mounting plates for installation into fiber optic patch panels.

STANDARDS COMPLIANCE

Meet all applicable standards: EIA/TIA 604, TIA-568-B.3

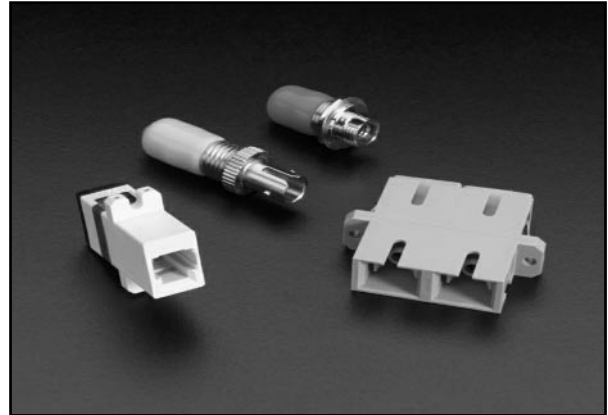
DESIGN CONSIDERATIONS

- Multiple mating/fully inter-mateable with industry standard products.
- Applicable for connectors terminated on 3mm, 900µm and 250µm cable.
- MT-RJ adapter features dual polarity.
- Use zirconia ceramic sleeves for extra durability and minimal contamination.
- Use in permanent or temporary applications.
- SC available in blue and beige.
- MT-RJ available in beige.
- FC Zirconia sleeve adapters include red dust caps.
- FC Metal sleeve adapters include blue dust caps.

WARRANTY INFORMATION

- One-year limited product warranty and 15-year performance guarantee are standard.
- Product and performance warranties are extended to a Lifetime as part of Leviton's Certified Cabling System.

See ELECTRONIC FILES for CAD files (.DXF, .DWG, MS-DOS.EPS) on disk



For ELECTRONIC Typical Specs see (.TXT) file on disk.

TYPICAL SPECIFICATIONS

The adapters shall be compatible with field or factory terminated connectors on singlemode or multimode fiber cable and with unloaded mounting plates. They shall meet EIA/TIA 604 standards. The adapters shall be applicable for connectors terminated on 3mm, 900µm and 250µm cable. The adapters shall come with a one-year limited product warranty and a 15 year performance guarantee. Product and performance warranties are extended to a Lifetime as part of Leviton's Certified Cabling System.

Fiber Optic Adapters

Description	Housing Material	Sleeve Material
ST® Adapter	Nickel Plated Brass	Zirconia Ceramic
ST Adapter	Nickel Plated Brass	Zirconia Ceramic
FC Adapter	Nickel Plated Brass	Phosphor-Bronze
FC Adapter	Nickel Plated Brass	Zirconia Ceramic
SC Duplex Adapter (Blue)	Polymer	Zirconia Ceramic
SC Duplex Adapter (Blue)	Polymer	Phosphor-Bronze
SC Duplex Adapter (Beige)	Polymer	Phosphor-Bronze
MT-RJ Adapter (Beige)	Polymer	Polymer



For Applications Engineering Support – Call 1-425-485-4288; in USA call 1-800-722-2082
 Spec sheets and updates are also available at www.levitonvoicedata.com.

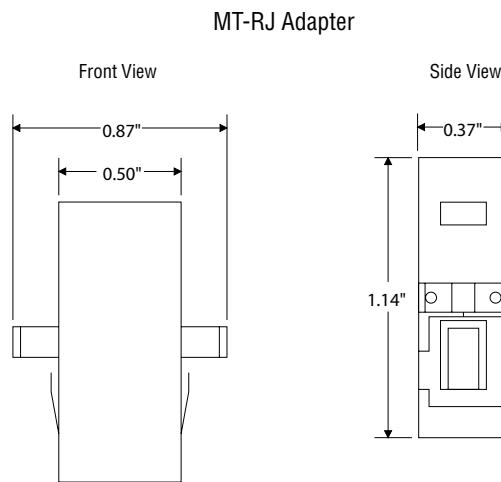
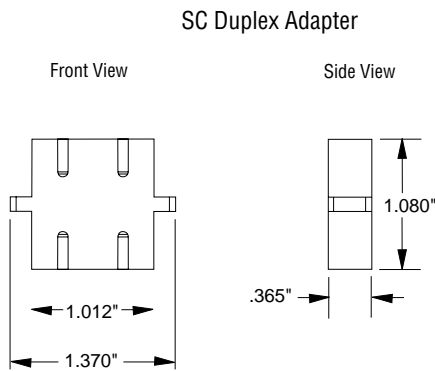
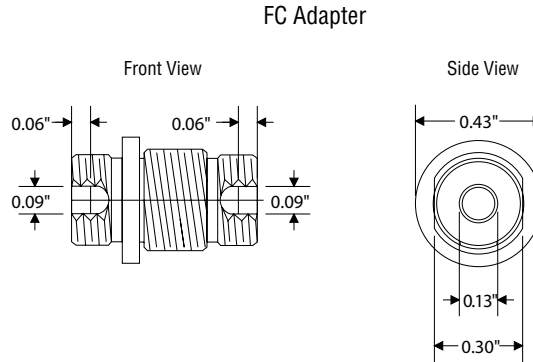
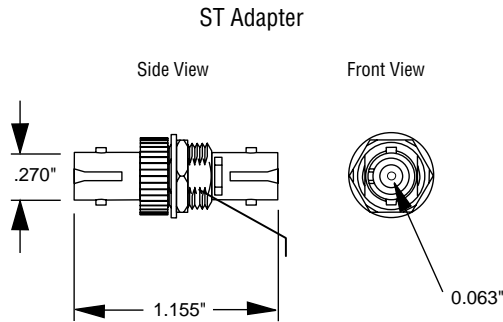


Fiber Optic Adapters

Part Numbers
49882-SAD 49884-SAD
49883-ZAD 49884-MAD
49883-SAD 49884-BAD
49883-MAD 49889-MAD

DIMENSIONAL LINE ART

See ELECTRONIC FILES for CAD images
 (.DXF, .DWG, MS-DOS.EPS)



PART NUMBERS

<i>Fiber Optic Adapters</i>	<i>Part Number</i>
ST Adapter w/phos bronze sleeve (pkg 50)	49882-SAD
ST Adapter w/zirconia ceramic sleeve (pkg 50)	49883-ZAD
FC Adapter w/phos bronze sleeve (pkg 50)	49883-SAD
FC Adapter w/zirconia ceramic sleeve (pkg 50)	49883-MAD
SC Duplex Adapter (blue) w/zirconia ceramic sleeve (pkg 25)	49884-SAD
SC Duplex Adapter (blue) w/phos bronze sleeve (pkg 25)	49884-MAD
SC Duplex Adapter (beige) w/phos bronze sleeve (pkg 25)	49884-BAD
MT-RJ Adapter (beige) (pkg 25)	49889-MAD



For Applications Engineering Support – Call 1-425-485-4288; in USA call 1-800-722-2082.
 Spec sheets and updates are also available at www.levitonvoicedata.com.



2222 – 222nd St. SE • Bothell, WA 98021 USA • Tel: 1-800-722-2082 / 1-425-485-4288 • Fax: 1-425-483-5270 • Int'l Fax: 1-425-485-9170 • GSA# GS-35F-4785G