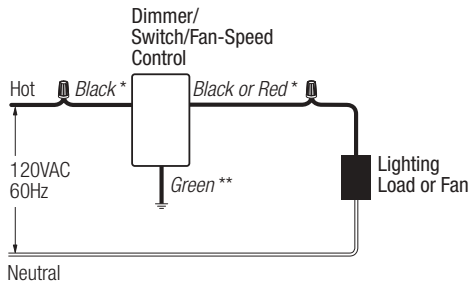


WIRING DIAGRAMS

Wiring Diagram 1 Single-Pole Wiring



Ground

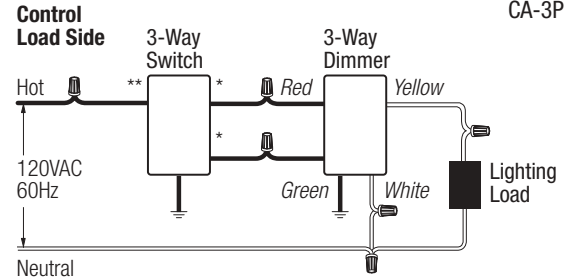
Wire Connectors

* or Brass screw terminal
** or Green screw terminal

Model

DV-600P-
DV-10P-
DVLV-600P-
DVLV-10P-
CA-1PSH-

Wiring Diagram 4 3-Way Wiring



Ground

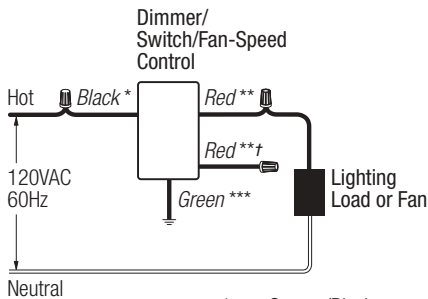
Wire Connectors

* or Copper/Black screw terminal
** or Brass/Gold screw terminal

Model

DVELV-303P-
CA-3PS-

Wiring Diagram 2 Single-Pole Wiring of 3-Way Control



Ground

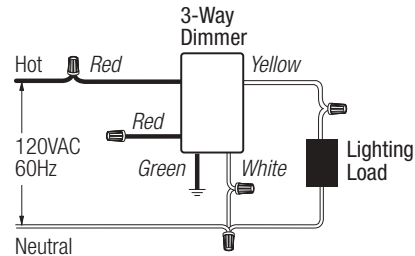
Wire Connectors

* or Copper/Black screw terminal
** or Brass screw terminal
*** or Green screw terminal
† or Red/White stripe (cap off)

Model

DVFSQ-F-
DVLV-103P-
DVLV-603P-
DV-103P-
DV-603P-

Wiring Diagram 5 3-Way Used as Single Pole



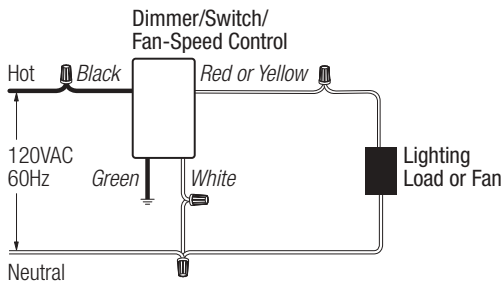
Ground

Wire Connectors

Model

DVELV-303P-

Wiring Diagram 3 Single-Pole Wiring



Ground

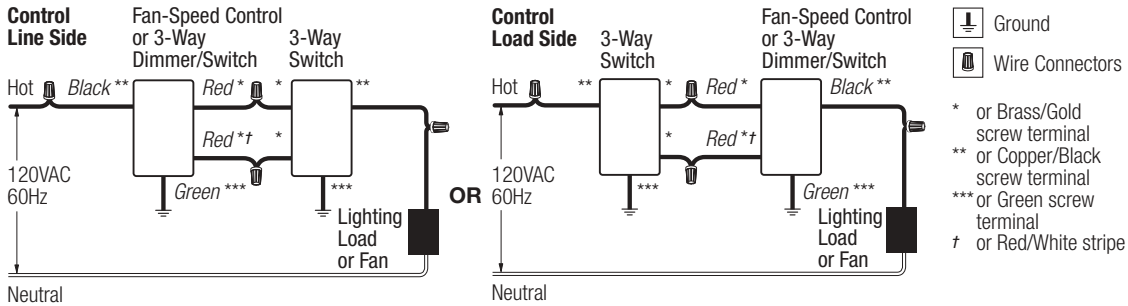
Wire Connectors

Model

DVELV-300P-

WIRING DIAGRAMS

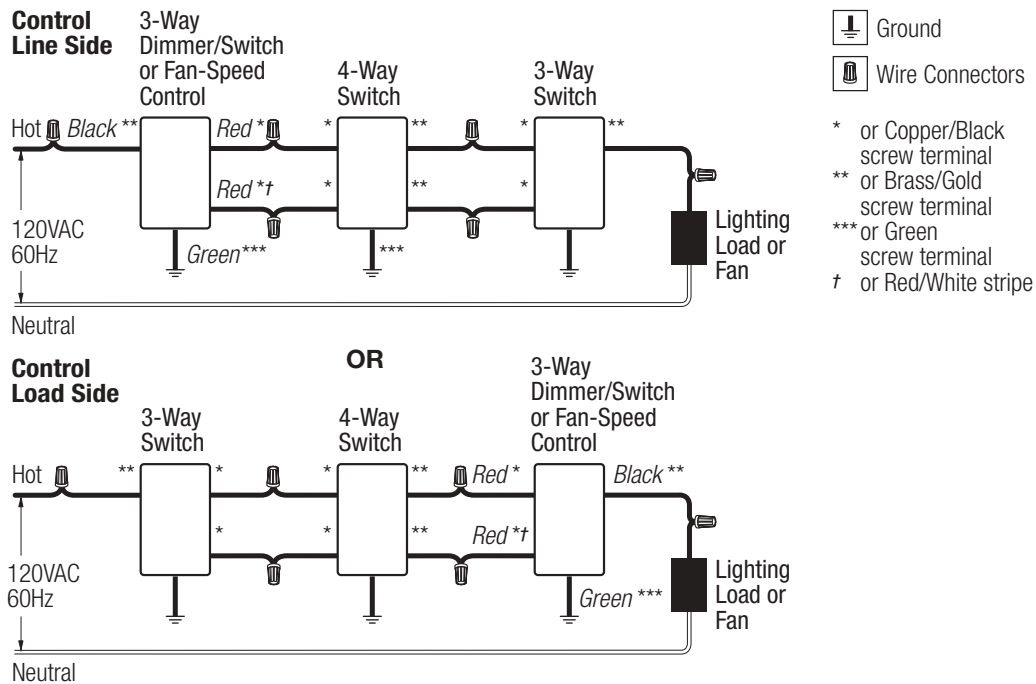
Wiring Diagram 6 3-Way Wiring



Model

DV-603P-
DV-103P-
DVLV-603P-
DVLV-103P-
DVFSQ-F-
CA-3PSH-

Wiring Diagram 7 4-Way Wiring



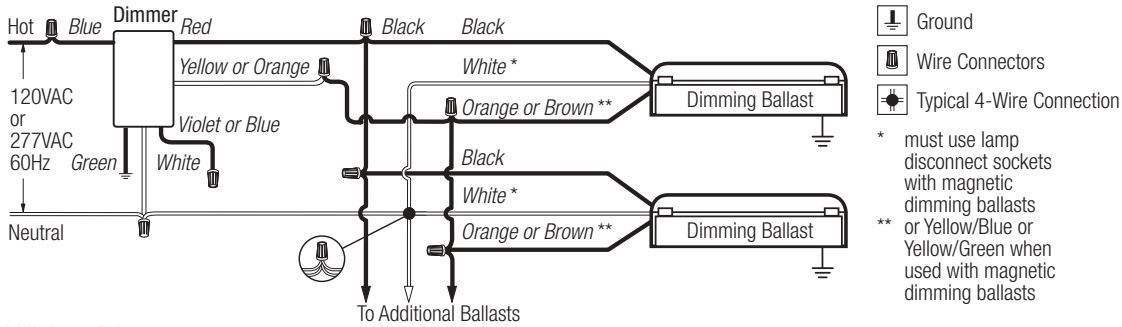
Model

DV-603P-
DV-103P-
DVLV-603P-
DVLV-103P-
DVFSQ-F-
CA-3PSH-
CA-4-PSH-

WIRING DIAGRAMS

Wiring Diagram 8
Single-Pole Wiring of a 3-Way Control

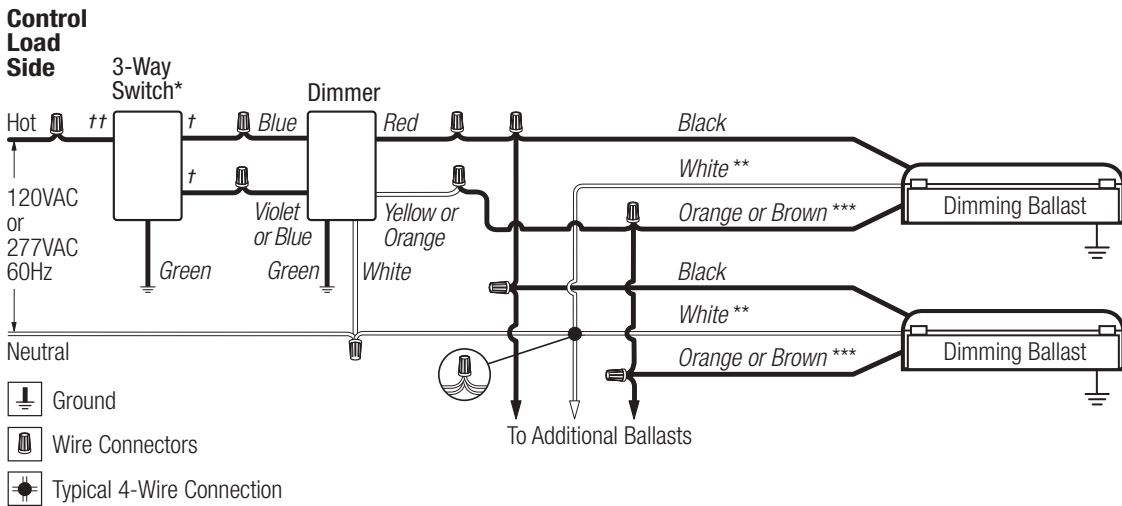
Model #



DVF-103P-
DVF-103P-277-

Wiring Diagram 9
3-Way Wiring

Model #

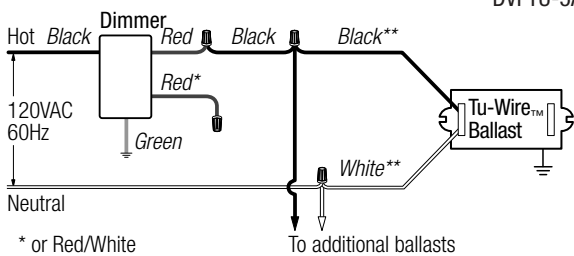


DVF-103P-
DVF-103P-277-
CA-3PSH-

* 3-Way switch must be wired on line side of dimmer
** must use lamp disconnect sockets with magnetic dimming ballasts or Yellow/Blue or Yellow/Green when used with magnetic dimming ballasts
*** or Yellow/Blue or Yellow/Green when used with magnetic dimming ballasts
† or Copper/Black screw terminal
†† or Brass/Gold screw terminal

Wiring Diagram 10
Single-Pole Wiring

Model #



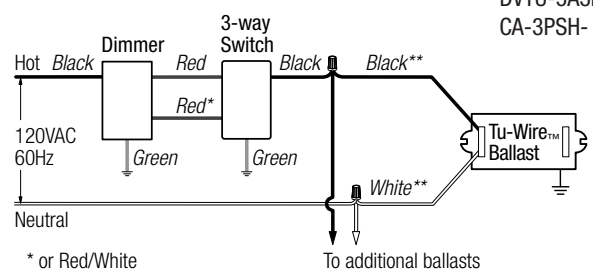
DVFTU-5A3P-

* or Red/White
** terminals are provided

Ground Wire Connectors

Wiring Diagram 11
3-Way Wiring

Model #



DVTU-5A3P-
CA-3PSH-

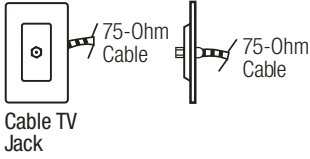
* or Red/White
** terminals are provided

Ground Wire Connectors

WIRING DIAGRAMS

Wiring Diagram 12 Cable TV Jack Wiring

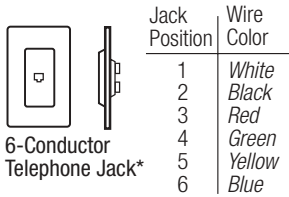
Model #



CA-CJH-

Wiring Diagram 13 Telephone Jack Wiring

Model #

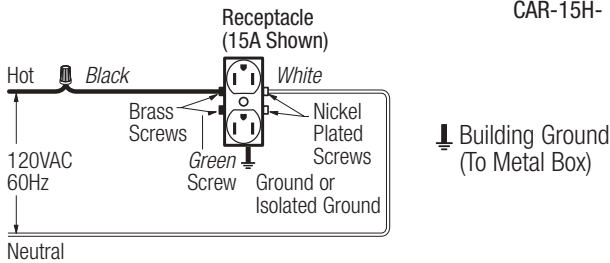


CA-PJH-

*accepts most 4-conductor jacks

Wiring Diagram 14 Receptacle Wiring

Model #



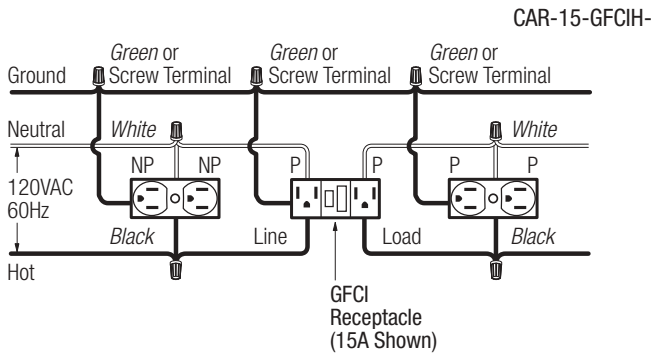
CAR-15H-

↓ Ground

Wire Connectors

Wiring Diagram 15 GFCI Receptacle Wiring

Model #



CAR-15-GFCIH-

P-Protected
NP-Not Protected

Wire Connectors