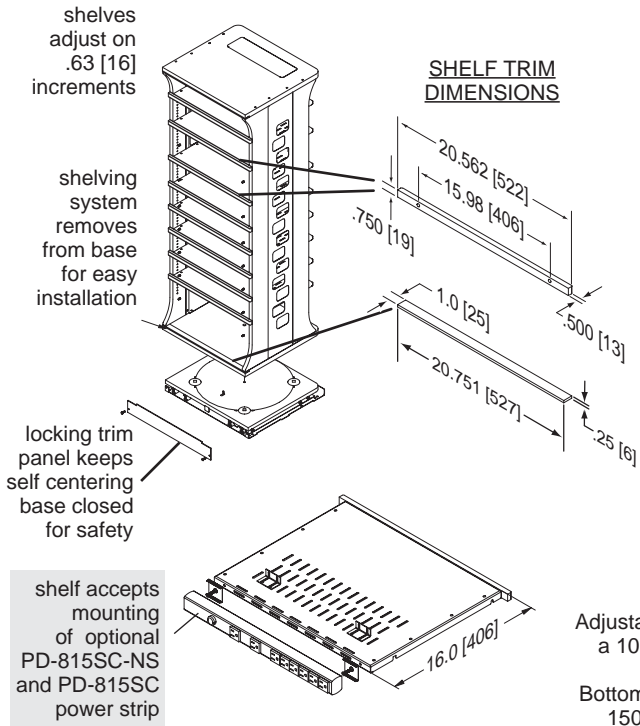


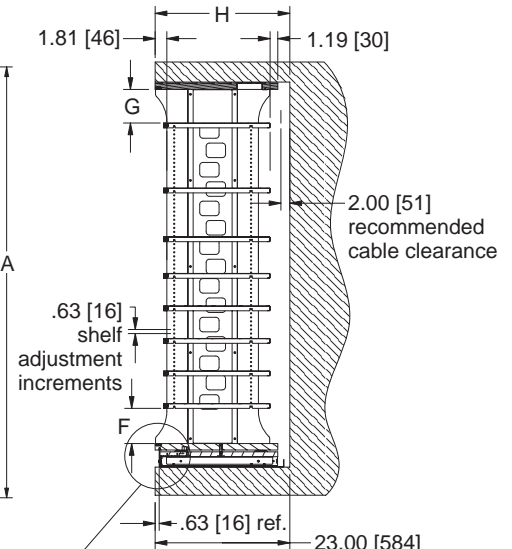
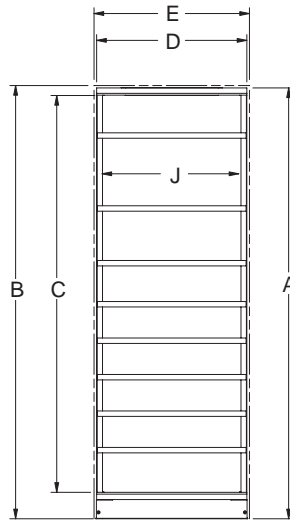
ASR-HD basic dimensions

All dimensions in inches unless otherwise noted [All dimensions in brackets are millimeters]

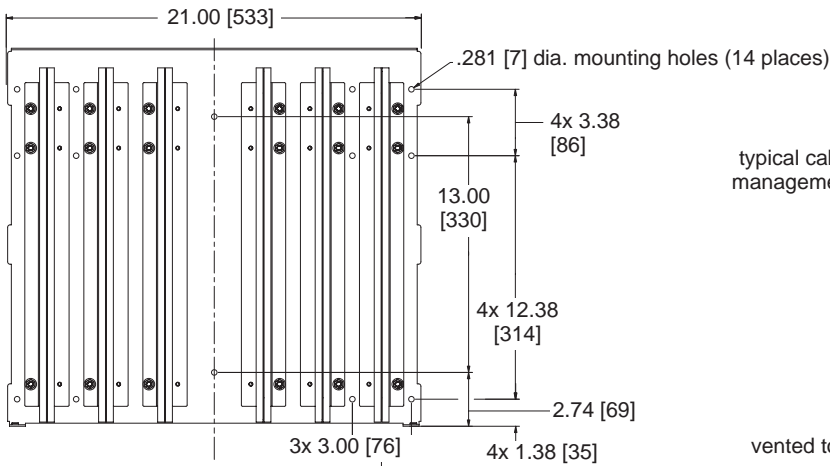


Adjustable shelves shall have a 100 lb. weight capacity

Bottom fixed shelf shall have 150 lb. weight capacity



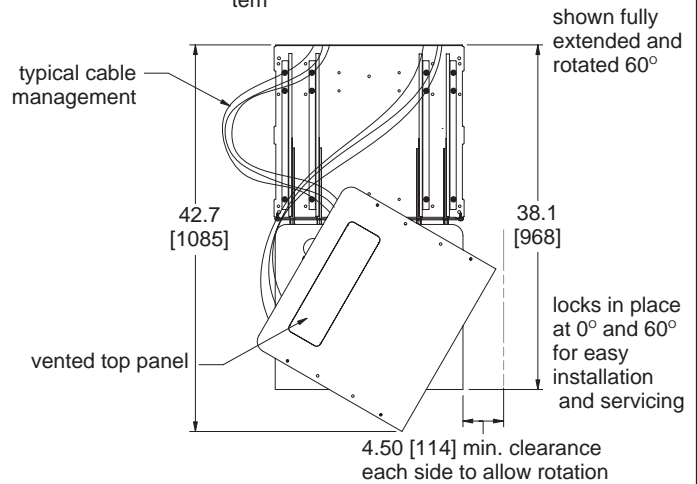
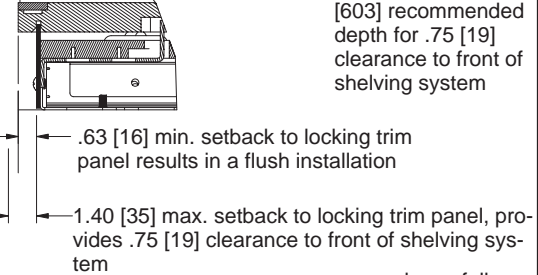
NOTE: Brackets on shelves secure components and prevent them from sliding backwards



(all mounting holes must be used)

NOTE: Slides shown for reference. number of slides vary with model

FRONT →



Part #	A Overall Height	B Rough Opening Height	C Equipment Mounting Height *	D Overall Width	E Rough Opening Width	# Of Shelves / # Of Adjustable Shelves	F Lowest Shelf Mounting Clearance	G Highest Shelf Mounting Clearance	H Rough Opening Min. Depth Recommended**	Max. Useable Depth	Weight Capacity	Required Millwork Weight Capacity	J Equipment Width
ASR-60-HD	59-5/8 [1515]	60 [1524]	54-4/5 [1392]	21 [533]	21-1/16 [535]	9 / 8	5-1/2 [140]	5-1/5 [132]	23 [584]	19 [483]	350 lbs.	480 lbs.	19-1/10 [485]
ASR-42-HD	41-5/8 [1057]	42 [1067]	36-4/5 [935]	21 [533]	21-1/16 [535]	6 / 5	5-3/10 [135]	5 [127]	23 [584]	19 [483]	300 lbs.	400 lbs.	19-1/10 [485]
ASR-30-HD	29-5/8 [753]	30 [762]	24-4/5 [630]	21 [533]	21-1/16 [535]	4 / 3	5-1/2 [140]	5-3/10 [134]	23 [584]	19 [483]	150 lbs.	227 lbs.	19-1/10 [485]

* For each shelf used subtract .75 [19] from equipment mounting height

** Flush installation to front of shelving system