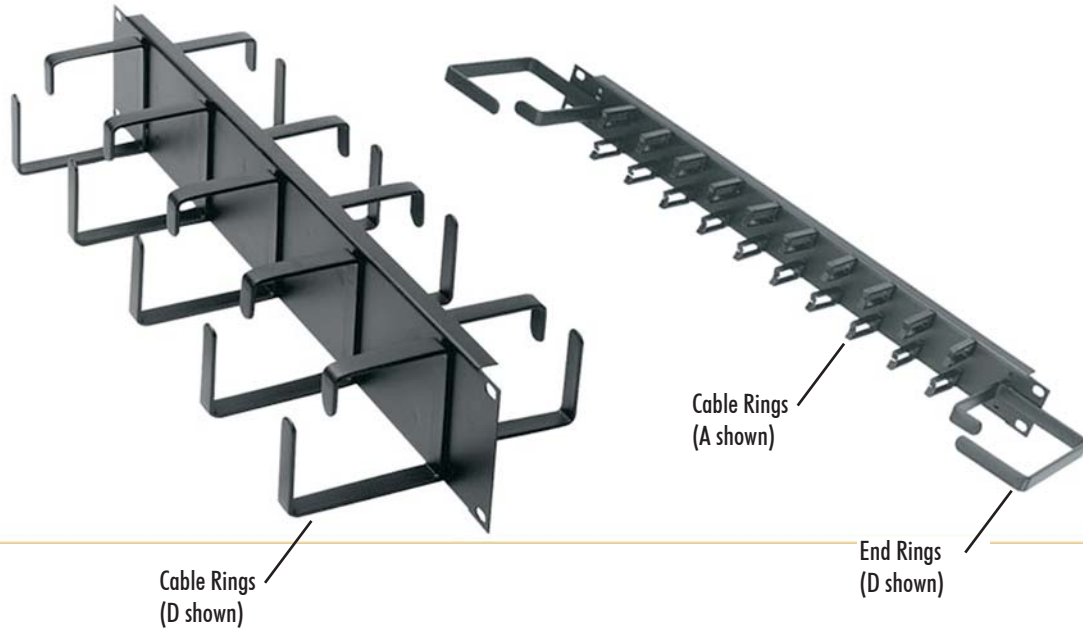


HCM-2DR

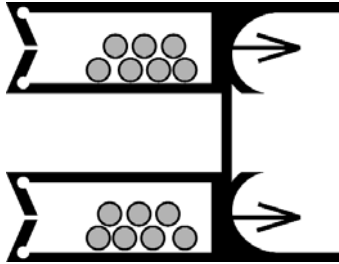
HCM-1V



Part #	Description	Panel Width	Cable Rings* (see reference guide)	End Rings* (see reference guide)
HCM-1	1-3/4" (1 sp.) "micro-clip" style	19"	A	-
HCM-1V	1-3/4" (1 sp.) "micro-clip" style w/ end rings	19"	A	D
HCM-1D	1-3/4" (1 sp.) D-RING style	19"	B	-
HCM-1DV	1-3/4" (1 sp.) D-RING style w/ end rings	19"	B	D
HCM-2D	3-1/2" (2 sp.) D-RING style	19"	D	-
HCM-2DV	3-1/2" (2 sp.) D-RING style w/ end rings	19"	D	D
HCM-1DR	1-3/4" (1 sp.) D-RING style, front and rear	19"	C	-
HCM-2DR	3-1/2" (2 sp.) D-RING style, front and rear	19"	E	-
HCM1D-23	1-3/4" (1 sp.) D-RING style	23"	C	-
HCM2D-23	3-1/2" (2 sp.) D-RING style	23"	D	-
D-RING	wall mount / rackmount D-RING	-	D	-

*** Cable Capacity Reference Guide**

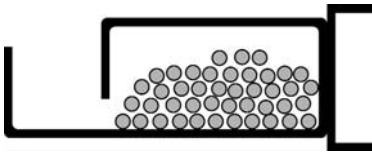
A



Cabling area: 0.90 in²

of typical CAT5e cables at recommended 50% fill rate: 14

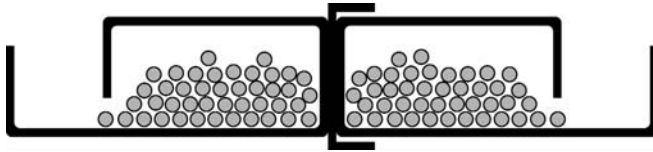
B



Cabling area: 3.125 in²

of typical CAT5e cables at recommended 50% fill rate: 50

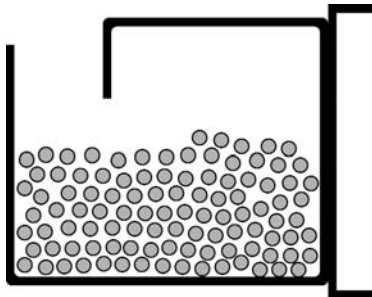
C



Cabling area: 6.25 in²

of typical CAT5e cables at recommended 50% fill rate: 100

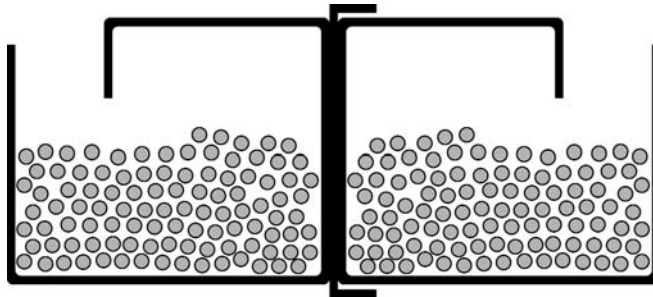
D



Cabling area: 7.5 in²

of typical CAT5e cables at recommended 50% fill rate: 120

E



Cabling area: 15 in²

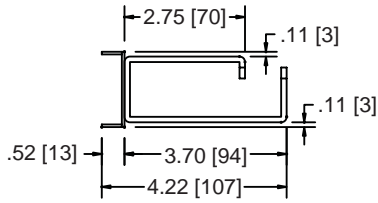
of typical CAT5e cables at recommended 50% fill rate: 240

HCM basic dimensions

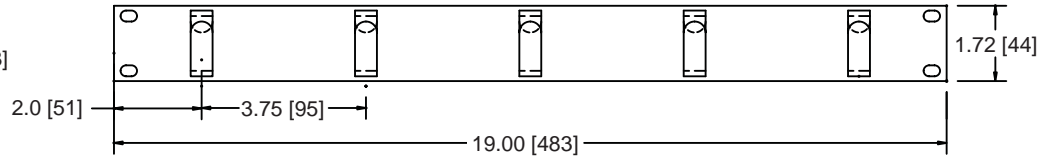


HCM-1D

SIDE VIEW

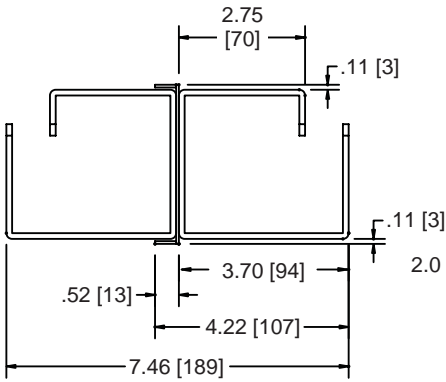


FRONT VIEW

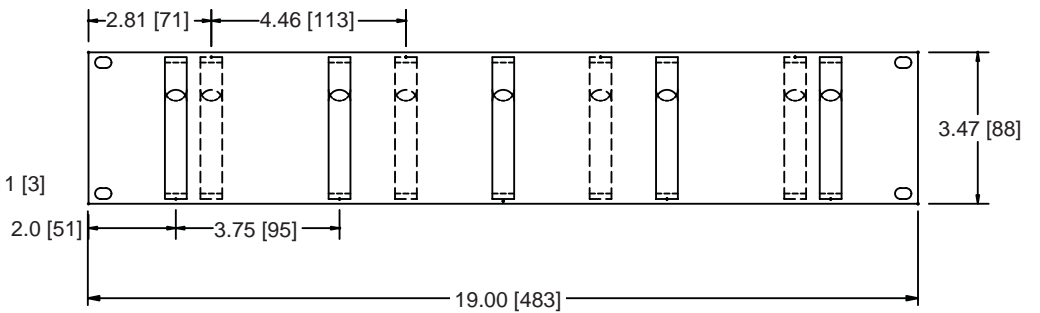


HCM-2DR

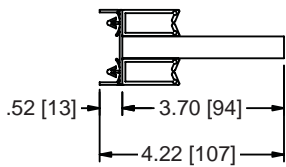
SIDE VIEW



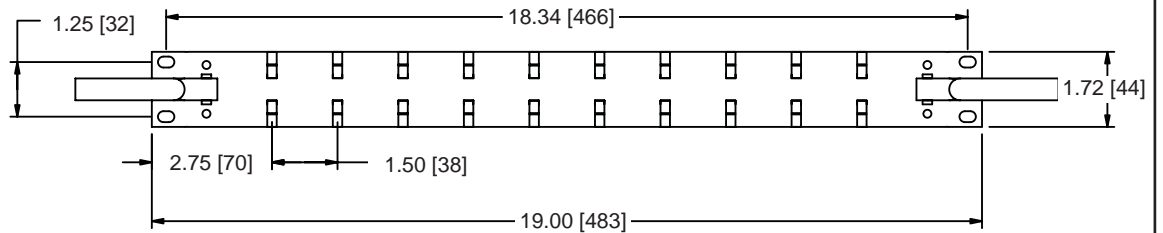
FRONT VIEW



HCM-1V



FRONT VIEW



All dimensions in inches unless otherwise noted [All dimensions in brackets are in millimeters]