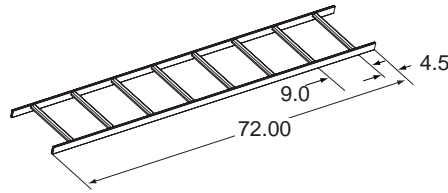
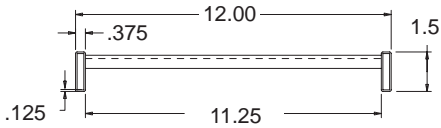


CL Series basic dimensions

All dimensions in inches unless otherwise noted

FRONT VIEW

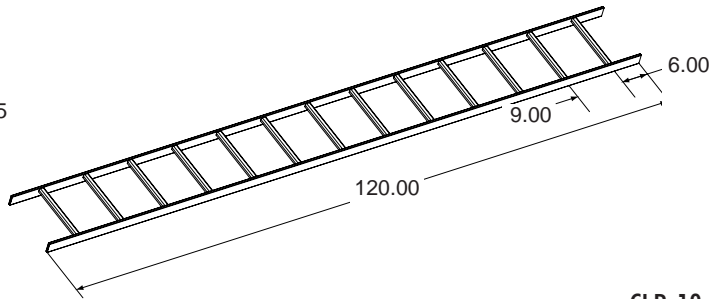
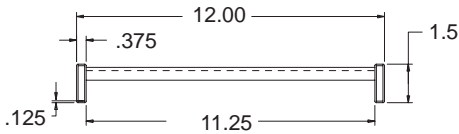


Cable Ladder Weight Capacity

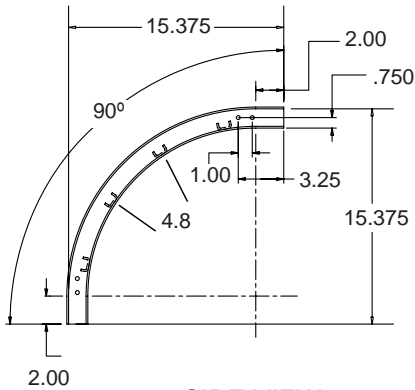
Support Span	WEIGHT RATING, PER FOOT
4 FT.	187 lbs.
5 FT.	119 lbs.
6 FT.	83 lbs.
7 FT.	62 lbs.
8 FT.	50 lbs.

CLB-6

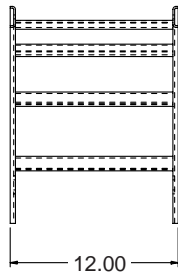
FRONT VIEW



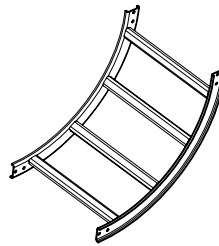
CLB-10



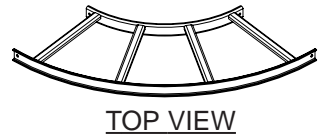
SIDE VIEW



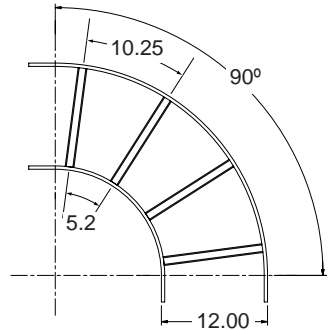
FRONT VIEW



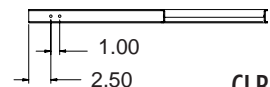
CLB-VI90



TOP VIEW

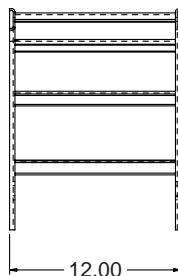


FRONT VIEW

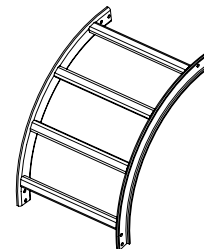


CLB-90HB

SIDE VIEW



FRONT VIEW



CLB-V090