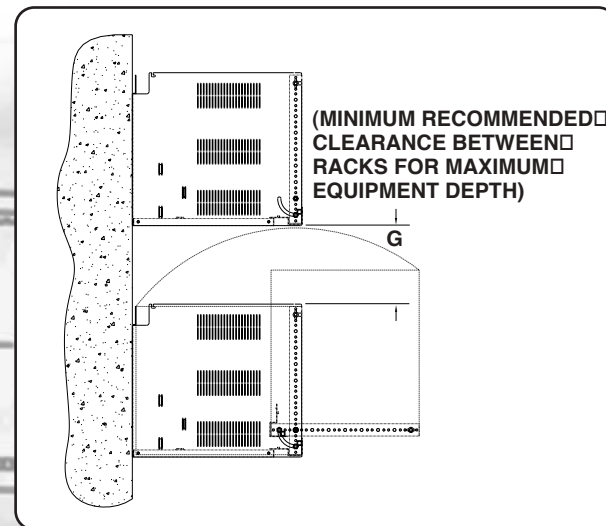
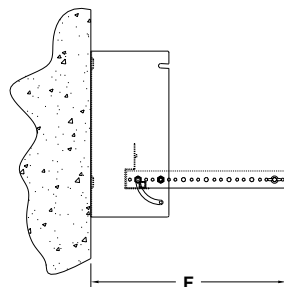
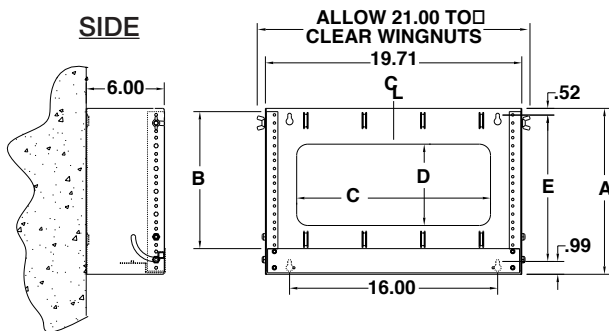


PPM basic dimensions

FRONT

All dimensions in inches unless otherwise noted

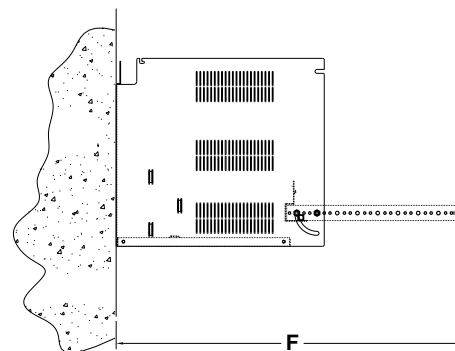
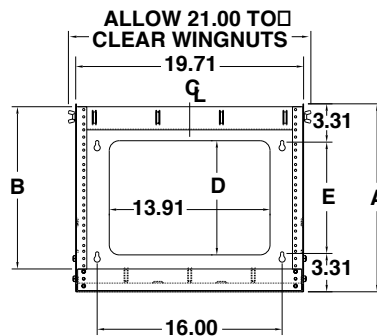
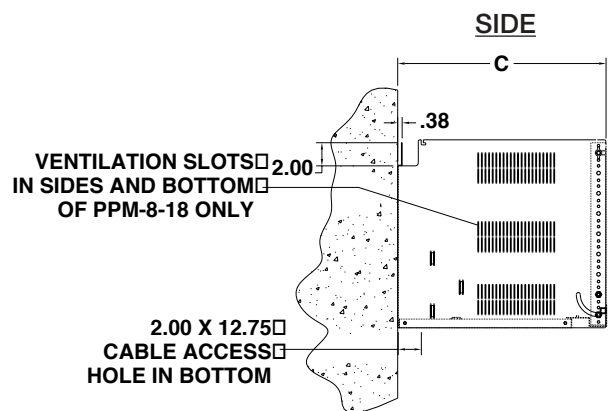
SIDE



PART #	A OVERALL HEIGHT	B USEABLE HEIGHT	C BACKPAN OPENING WIDTH	D BACKPAN OPENING HEIGHT	E MOUNTING HOLE DISTANCE	F MINIMUM WALL CLEARANCE	G CLEARANCE BETWEEN RACKS
PPM-2	5.75	3.50/ 2 SP	10.00	1.71	4.25	8.00	3.00
PPM-4	9.25	7.00/ 4 SP	9.50	3.00	7.75	11.50	1.75
PPM-6	12.75	10.50/ 6 SP	14.90	6.25	11.25	15.00	1.25

SIDE

FRONT



PART #	A OVERALL HEIGHT	B USEABLE HEIGHT	C OVERALL DEPTH	D BACKPAN OPENING HEIGHT	E MOUNTING HOLE DISTANCE	F MINIMUM WALL CLEARANCE	G CLEARANCE BETWEEN RACKS
PPM-6-12	12.75	10.50/ 6 SP	12.00	6.37	6.12	21.00	5.00
PPM-8-12	16.25	14.00/ 8 SP	12.00	9.87	9.62	24.50	4.00
PPM-8-18	16.25	14.00/ 8 SP	18.00	9.87	9.62	30.50	8.35

