

Enclosed kit consist of:



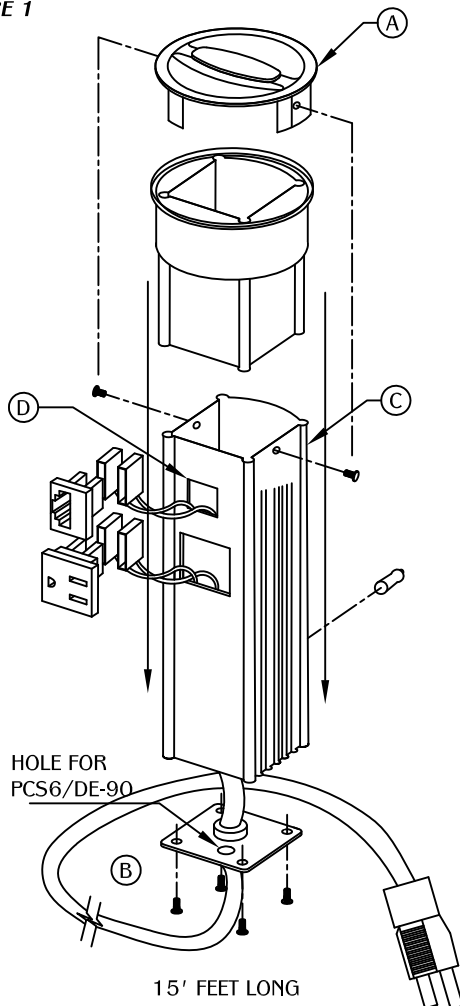
X 2 QTY.

Allen wrenches

NOTE: To be assembled by an Information Technology Technician or Electrician.
Do **NOT** tamper with electrical outlet wiring harness access.

1. Open top cap (A) and bottom cap (B) with enclosed Allen wrenches shown in 'Figure 1'.
2. Run the cable through the 1/4" diameter hole on bottom cap (B) and up through side of the paper barrier to clear the aluminum extrusion (C) shown in 'Figure 1'.
3. Make appropriate wire connections to data port.
4. Insert data port into cut out (D), as shown in 'Figure 1', interior of the aluminum extrusion. Data port inserts sideways. First install solid ledge and snap in the two prongs on the opposing end. Push locking data bezel in from the front.
5. Insert the screws back to cap (A) and (B).

FIGURE 1



PCS6/DE-90	PCS6/DE-90	PCS6/EE-90
1 DATA	2 DATA	2 POWER
1 POWER		

FIGURE 2

