

## ➤ INSTALLATION INSTRUCTIONS

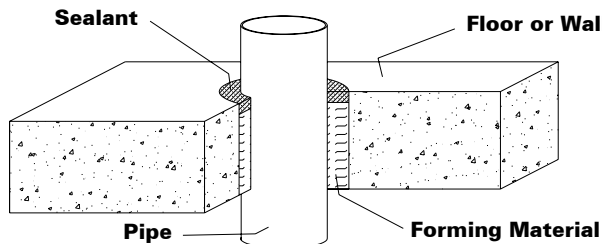
**GENERAL:** Areas to be protected must be clean and free of oil, loose dirt or rust. Installation temperatures must be between 40°F (4°C) and 90°F (32°C). Allow a cure time of less than 2 weeks for a 1/2" thickness.

**APPLICATION SYSTEM SELECTION:** Selection of an appropriate firestop application system design is critical to the fire protection process. Please consult the Nelson Firestop directory and application guide as well as the UL® Fire Resistance Directory for additional information.

**FORMING:** Some installations may require forming as either an integral part of the system or as an option to facilitate installation. In systems where forming is required, mineral wool batts with a minimum nominal density of 4PCF are generally required. Cut forming material oversized to allow for tight packing. Position forming material to allow for the proper depth of fill material.

**FILL MATERIAL:** Nelson Firestop CLK™ may be installed by caulking gun or from bulk containers using a bulk loading caulk gun, or by manually trowelling using a mason's trowel or putty knife. For larger applications it can be pumped directly from the pail. Nelson CLK™ S/L (Self-Leveling) is fluid and can be poured into place in floor applications. Insure that the sealant makes complete contact with the inside surface of the opening and also the surface of the penetrating item(s). Work sealant into all areas exercising care to eliminate voids or seams. The surface of the sealant can be smoothed using a putty knife or sponge dipped in water. Adding water to the sealant itself is not recommended. CLK™ cannot be painted.

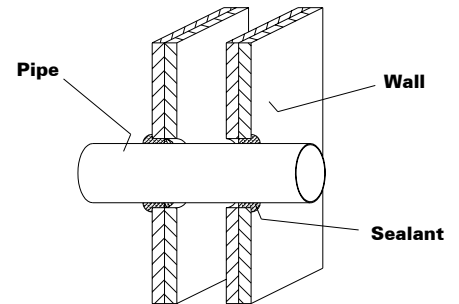
### UL System No. C-AJ-1203 F Rating 2 Hr. T Rating 0 Hr.



- FLOOR or WALL ASSEMBLY - Min. 4-1/2" concrete floor or 5" wall or CMU block wall. Annular space is 1/2" to 1-1/2".
- METALLIC PIPE or CONDUIT - Max. 24" diam. steel or 4" copper
- FORMING MATERIAL - Tightly pack min. 4pcf, mineral wool batt insulation
- NELSON CLK SEALANT - Min. 1/2" depth

**DWG NO. FS-0145 R4**

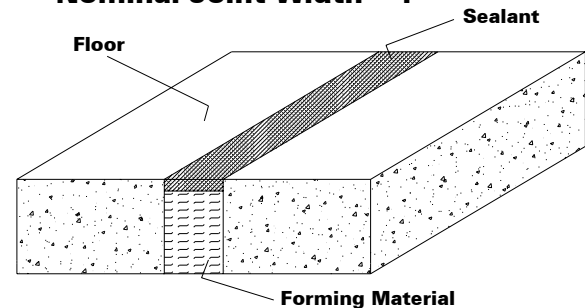
### UL System No. W-L-1030 F Rating 1 or 2 Hr. T Rating 0 Hr.



- WALL ASSEMBLY - Constructed in the manner specified in the U300 or U400 series design. The max. opening diameter is 5". The nom annular space is 1/4".
- METALLIC PIPE or CONDUIT - Max. 4" steel, EMT or RMC
- NELSON CLK SEALANT - Min. 5/8" depth

**DWG NO. FS-0095 R3**

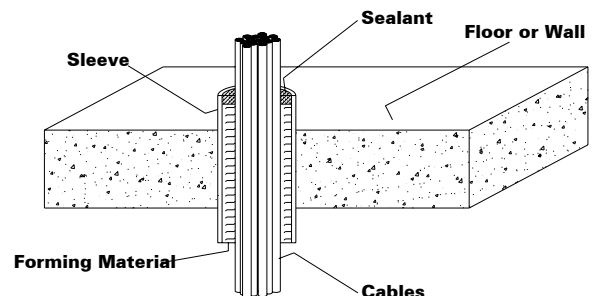
### UL System No. FF-S-1011 F Rating 4 Hr. Nominal Joint Width - 4"



- FLOOR ASSEMBLY - Min. 5-1/2" concrete floor
- FORMING MATERIAL - Min. 4pcf mineral wool batt insulation
- NELSON CLK SEALANT - Min. 1/2" depth

**DWG NO. FS-0119 R3**

### UL System No. C-AJ-3094 F Rating 2 Hr. T Rating 1 Hr.



- FLOOR or WALL ASSEMBLY - Min. 4-1/2" concrete floor or 5" wall or CMU block wall.
- METALLIC SLEEVE - Max. nominal 6" steel sleeve and extends 2" beyond surfaces.
- CABLES - Max. 30% fill of 25pc. 24awg or smaller, PVC jacketed telecommunications cable.
- FORMING MATERIAL - Tightly pack min. 4pcf, mineral wool batt insulation
- NELSON CLK SEALANT - Min. 1/2" depth

**DWG NO. FS-2101 R3**