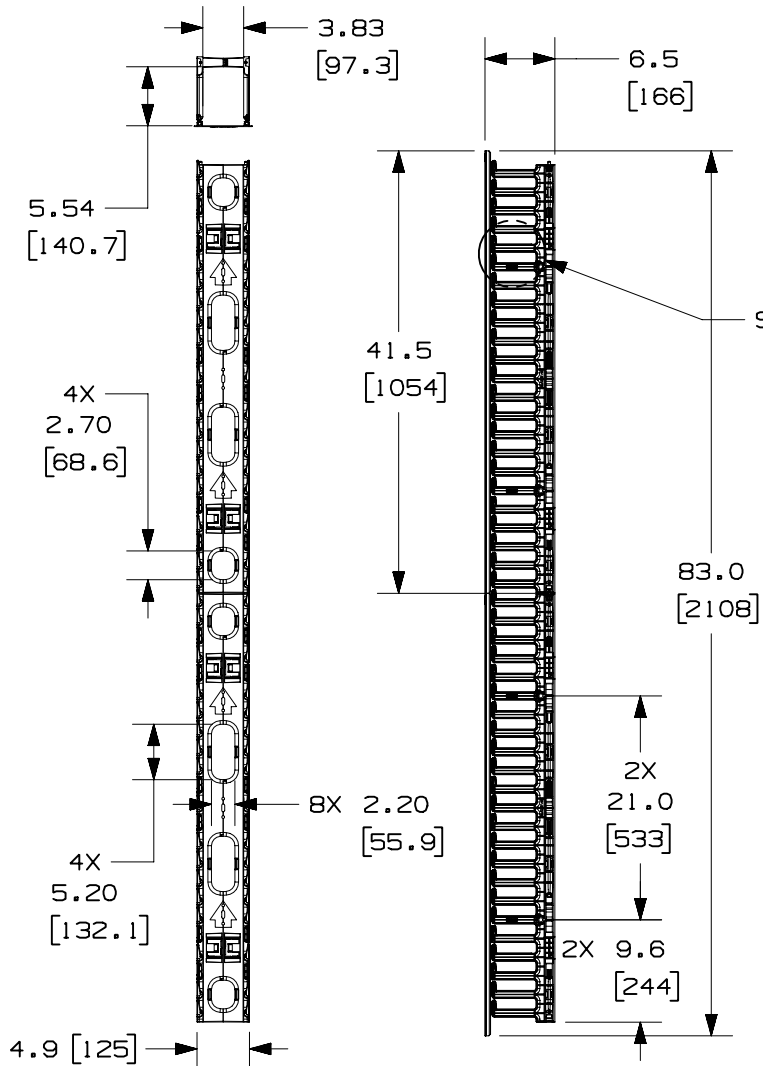


THIS COPY IS PROVIDED ON A RESTRICTED BASIS AND IS NOT TO BE USED IN ANY WAY DETRIMENTAL TO THE INTERESTS OF PANDUIT CORP.

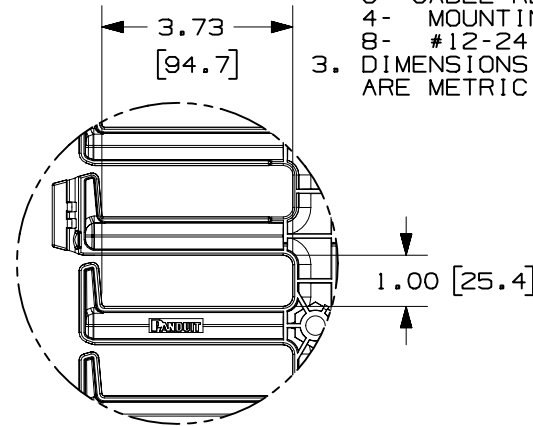


PANDUIT P/N	WEIGHT
WMPVF45E	14.0 LBS/EACH 6.35 Kg/EACH

NOTES:

- VISIT OUR ON-LINE CATALOG AT WWW.PANDUIT.COM FOR A CURRENT LIST OF PRODUCTS APPLICABLE FOR USE WITH THIS PART.
- COMPONENTS:
 - 2- 22.5RU CABLE MANAGEMENT SECTIONS
 - 2- 41.5" LONG COVERS
 - 6- CABLE RETAINERS
 - 4- MOUNTING BRACKETS
 - 8- #12-24 X 1/2" SCREWS
- DIMENSIONS IN PARENTHESIS ARE METRIC.

SEE DETAIL A



DETAIL A

MODEL FILENAME	V10225AC_WMPVF45E_ASSY_02.PRT
CAD FILENAME/LAYERS	V10225AC_DC_02A.PRT
<h1>PANDUIT</h1> CORP. TINLEY PARK, ILLINOIS	
4" WIDE FRONT ONLY VERTICAL CABLE MANAGER WMPVF45E CUSTOMER DRAWING	

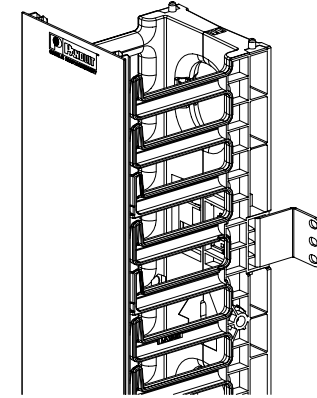
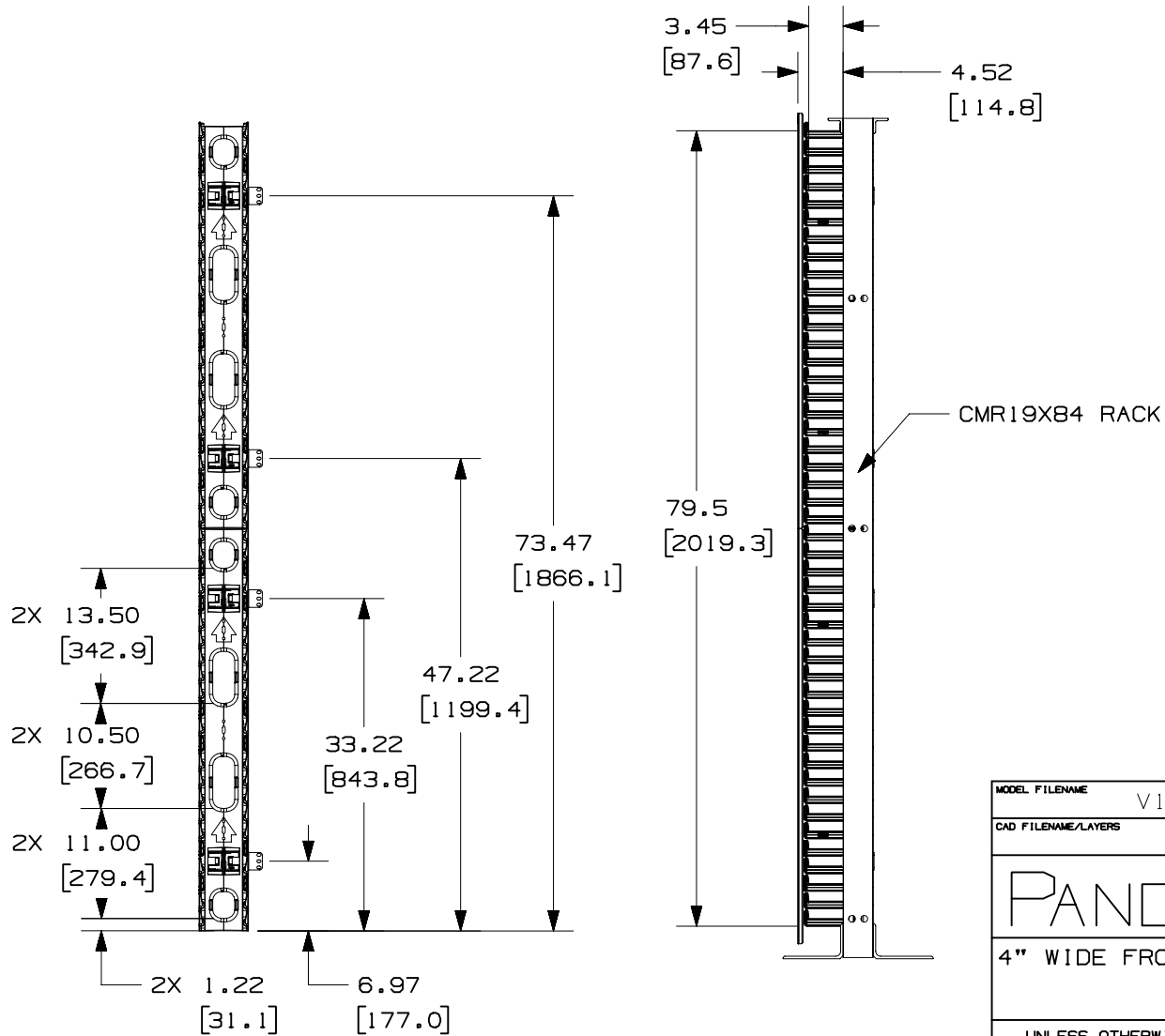
UNLESS OTHERWISE SPECIFIED, DIMENSIONAL TOLERANCES ARE:
 (.X) ± .03 (.XXX) ± .005
 (.XX) ± .015 ANGLES ± 1°

UNLESS OTHERWISE SPECIFIED, ALL DIMENSIONS ARE GIVEN IN INCHES, THIRD ANGLE PROJECTION.

DRAWN BY JDWE	MAT'L: CABLE MANAGER- ABS COVER- PVC CABLE RETAINER- POLYCARBONATE	SCALE NONE
DATE 3-15-05	DRAWING NO. 10225-24	DWG A
CHK'D	SHEET 1 OF 2	SIZE

REV	DATE	BY	CHK	DESCRIPTION	ECN	R	CUST	SUP	OTH
00	3-15-05	JDWE		RELEASED TO PRODUCTION	10225-24				

THIS COPY IS PROVIDED ON A RESTRICTED BASIS AND IS NOT TO BE USED IN ANY WAY DETRIMENTAL TO THE INTERESTS OF PANDUIT CORP.



MODEL FILENAME		V10225AC_WMPVF45E_ASSY_02.PRT	
CAD FILENAME/LAYERS		V10225AC_DC_02A.PRT	
<h1>PANDUIT</h1> CORP. TINLEY PARK, ILLINOIS			
4" WIDE FRONT ONLY VERTICAL CABLE MANAGER WMPVF45E CUSTOMER DRAWING			
UNLESS OTHERWISE SPECIFIED, DIMENSIONAL TOLERANCES ARE:		UNLESS OTHERWISE SPECIFIED, ALL DIMENSIONS ARE GIVEN IN INCHES, THIRD ANGLE PROJECTION.	
(.X) ± .03 (.XX) ± .015		(.XXX) ± .005 ANGLES ± 1°	
DRAWN BY	JDWE	MAT'L:	SCALE
DATE	3-15-05	CABLE MANAGER- ABS	NONE
CHK'D		COVER- PVC	DRAWING NO.
		CABLE RETAINER- POLYCARBONATE	10225-24
			SHEET 2 OF 2
			DRG SIZE
			A

00	3-15-05	JDWE		SEE SHEET 1 OF 2 FOR REVISIONS	10225-24				
REV	DATE	BY	CHK	DESCRIPTION	ECN - R	CUST	SUP	OTH	