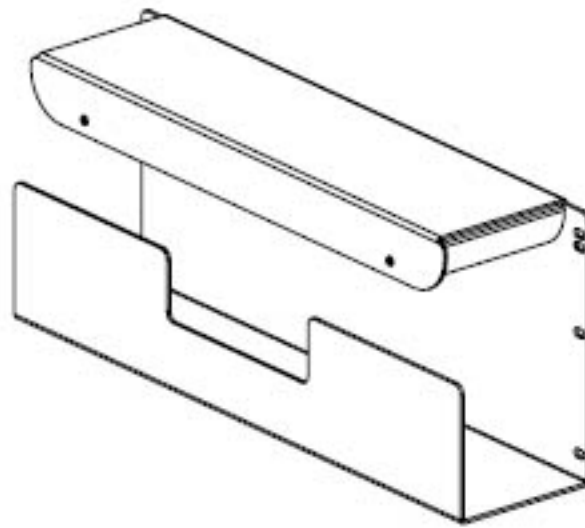
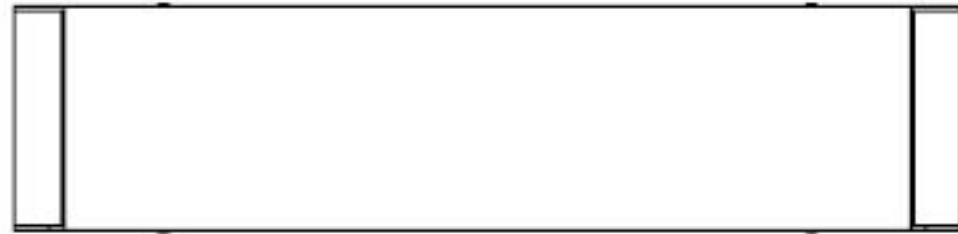
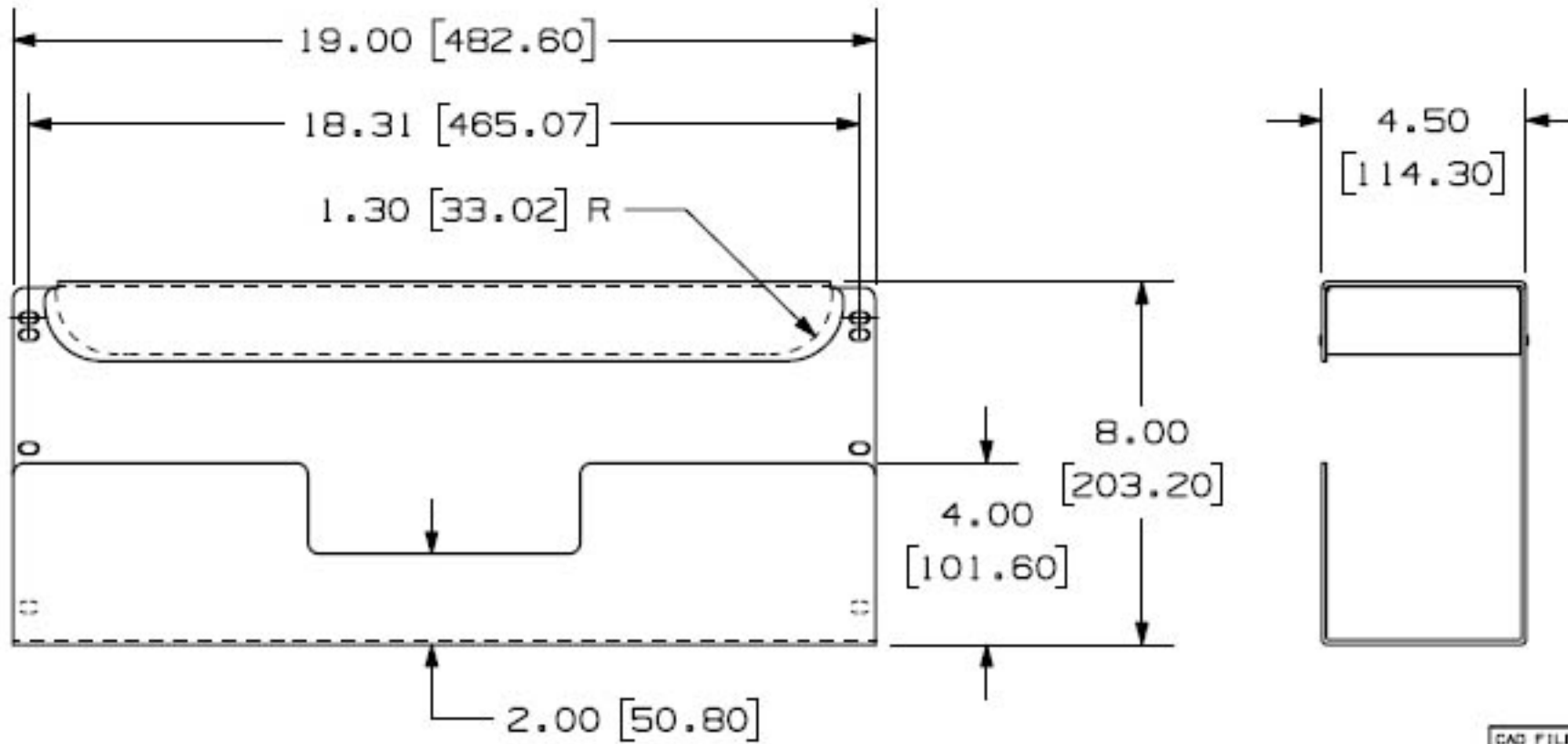


THIS COPY IS PROVIDED ON A RESTRICTED BASIS AND IS NOT TO BE USED IN ANY WAY DETRIMENTAL TO THE INTERESTS OF PANDUIT CORP.



NOTES:

1. SEE CATALOG FOR COMPLETE LIST OF PARTS APPLICABLE FOR USE WITH THIS PART.
2. DIMENSIONS IN PARENTHESES ARE IN METRIC.
3. MATERIAL: .10 THICK ALUMINUM
4. FINISH: BLACK POWDER COAT.
5. TROUGH IS DESIGNED TO FIT STANDARD "EIA" AND "WECO" RACK SPACING.



PANDUIT P/N	WEIGHT
CMLT19	5.50 LB/1 PC (2,737 g/1 PC)



CAD FILENAME/LAYERS M00852AB_DC_00A.PRT

PANDUIT CORP. TINLEY PARK, ILLINOIS

CABLE MANAGEMENT LOWER TROUGH 19"
CUSTOMER DRAWING

UNLESS OTHERWISE SPECIFIED, DIMENSIONAL TOLERANCES ARE:
(.X) ± (.XXX) ± .010 (.3)
(.XX) ± .03 (.8) ANGLES ±

UNLESS OTHERWISE SPECIFIED, ALL DIMENSIONS ARE GIVEN IN INCHES, THIRD ANGLE PROJECTION.

DRAWN BY AFW MAT'L: SCALE NONE

DATE 05-04-00 DRAWING NO. 00852-30 DWG SIZE A

REV	DATE	BY	CHK	DESCRIPTION	ECN	CHK	CUST	SUP
R	05-04-00	AFW		RELEASED TO PRODUCTION.				

