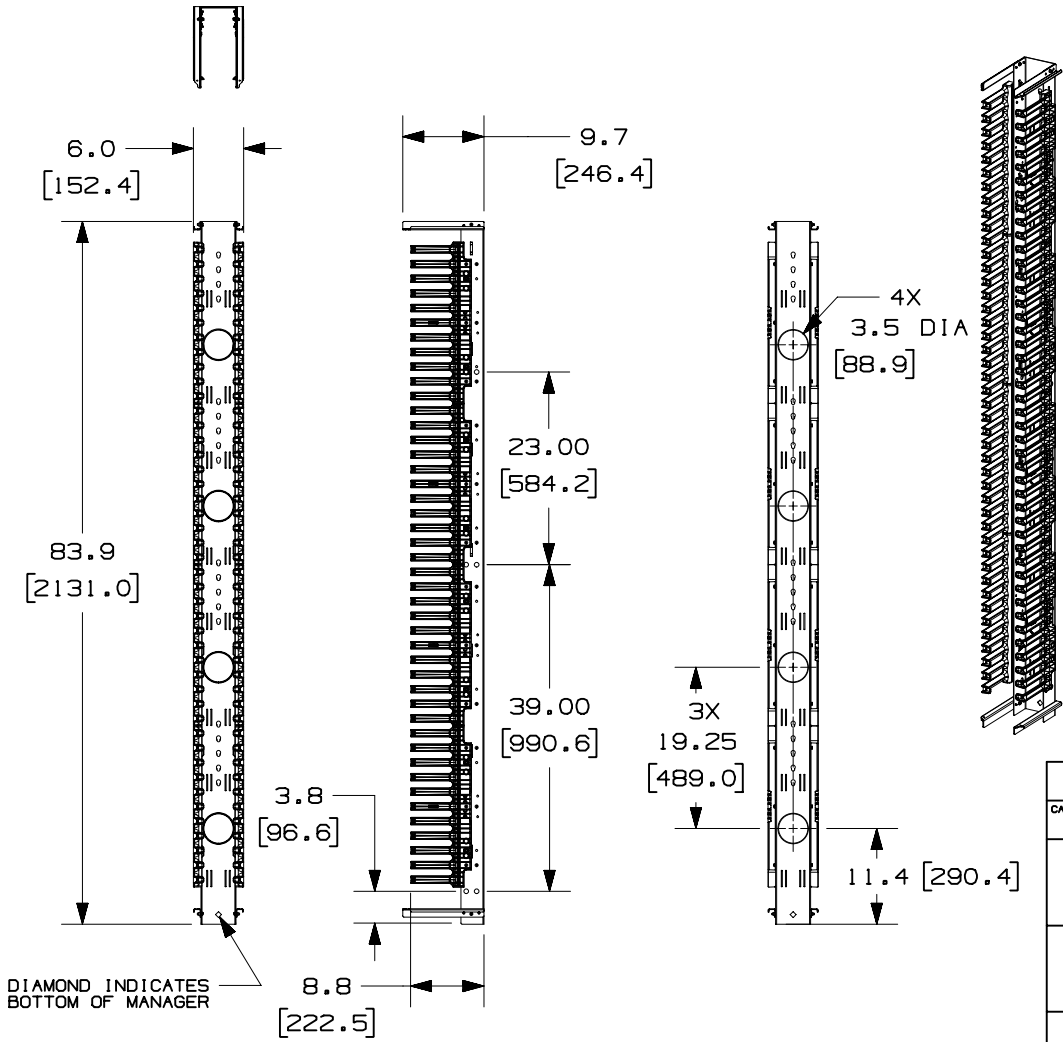


THIS COPY IS PROVIDED ON A RESTRICTED BASIS AND IS NOT TO BE USED IN ANY WAY DETRIMENTAL TO THE INTERESTS OF PANDUIT CORP.

PANDUIT P/N	WEIGHT
PRVF6	27.0 LBS/EACH (12.25 kg/EACH)



NOTES:

- VISIT OUR ON-LINE CATALOG AT WWW.PANDUIT.COM FOR A CURRENT LIST OF PRODUCTS APPLICABLE FOR USE WITH THIS PART.
- COMPONENTS: (1) 6" VERTICAL MANAGER (1) HARDWARE KIT
- CAN BE USED WITH ANY 19 OR 23 INCH EIA STANDARD RACK.
- 6" DOOR SOLD SEPARATLY (P/N: PRD6)
- 5" REAR MOUNTING SPOOLS SOLD SEPARATELY (P/N: PRSP5)
- SPOOLS HAVE MULTIPLE MOUNTING POSITIONS TO ACCOMMODATE CABLE SLACK.
- DIMENSIONS IN PARENTHESIS ARE METRIC.
- ALL DIMENSIONS ARE REFERENCE ONLY.

MODEL FILENAME V10179AC_6PRV_16-G_00.PRT	
CAD FILENAME/LAYERS V10179AM_DC_00B.PRT	
PANDUIT CORP. TINLEY PARK, ILLINOIS	
6" VERTICAL MANAGER FRONT ONLY (PRVF6) CUSTOMER DRAWING	
UNLESS OTHERWISE SPECIFIED, DIMENSIONAL TOLERANCES ARE: (.X) ± (.XX) ±	UNLESS OTHERWISE SPECIFIED, ALL DIMENSIONS ARE GIVEN IN INCHES, THIRD ANGLE PROJECTION.
DRAWN BY JDWE DATE 5-17-04 CHK'D MAV	MAT'L: BACKBONE- STEEL SPOOLS- POLYCARBONATE FINGERS- ABS SCALE NONE DRAWING NO. 10179-31 DWG A SIZE

REV	DATE	BY	CHK	DESCRIPTION	ECN - R	CUST	SUP	OTH
I	6-21-04	JDWE		A. REVISED COMPONENT LIST	10179-31			
R	5-17-04	JDWE	MAV	RELEASE TO PRODUCTION	10179-31	JWI		