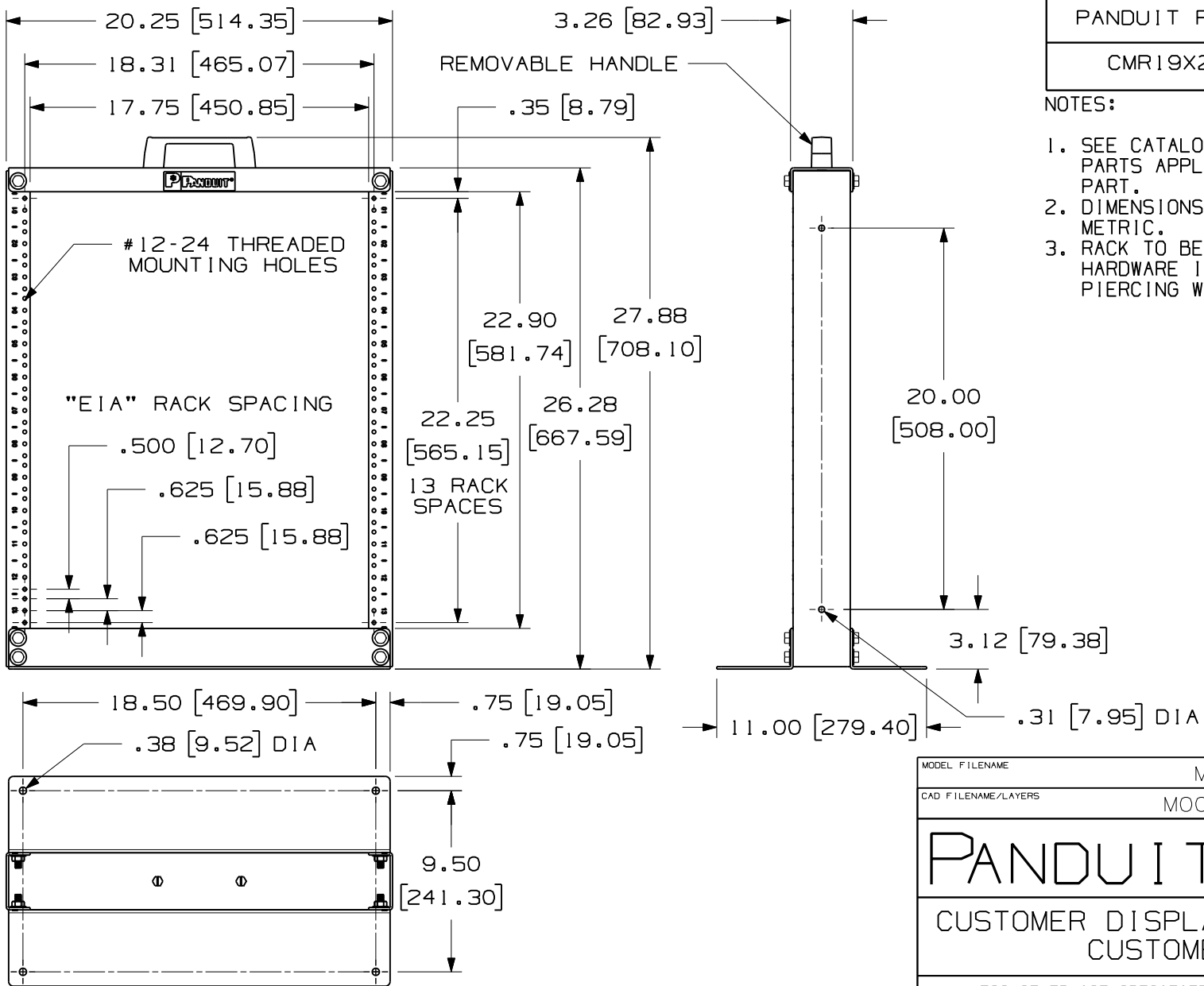


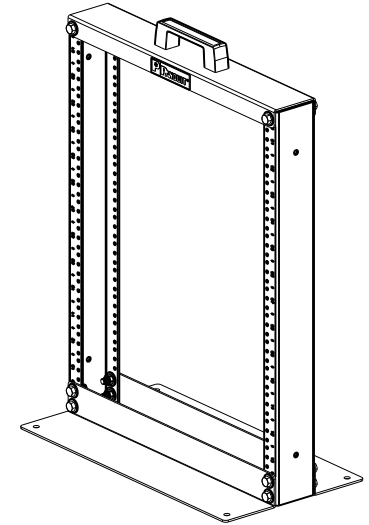
THIS COPY IS PROVIDED ON A RESTRICTED BASIS AND IS NOT TO BE USED IN ANY WAY DETRIMENTAL TO THE INTERESTS OF PANDUIT CORP.



PANDUIT P/N	WEIGHT
CMR19X26	9.00 LB/1 PC (4,479 g/1 PC)

NOTES:

1. SEE CATALOG FOR COMPLETE LIST OF PARTS APPLICABLE FOR USE WITH THIS PART.
2. DIMENSIONS IN PARENTHESES ARE IN METRIC.
3. RACK TO BE ASSEMBLED BY CUSTOMER, HARDWARE INCLUDED, WITH PAINT PIERCING WASHERS.



MODEL FILENAME	M00864AA/04
CAD FILENAME/LAYERS	M00864AA_DC/04A
PANDUIT CORP. TINLEY PARK, ILLINOIS	
CUSTOMER DISPLAY RACK (CMR19X26) CUSTOMER DRAWING	

<p>UNLESS OTHERWISE SPECIFIED, DIMENSIONAL TOLERANCES ARE: (.X) ± (.XXX) ± .010 (.3) (.XX) ± .03 (.8) ANGLES ±</p>	<p>UNLESS OTHERWISE SPECIFIED, ALL DIMENSIONS ARE GIVEN IN INCHES, THIRD ANGLE PROJECTION.</p>
--	--

REV	DATE	BY	CHK	DESCRIPTION	ECN	CHK	CUST	SUP
04A	11-4-08	BAME	<i>DPK</i>	CHANGED NUMBERING ORIENTATION	00864-08			
I	11-30-05	LEE	MWH	A. UPDATED GEOMETRY, ADDED GROUND WASHERS.	00864-08		KRKE	
R	6-12-00	AFW	RLFR	RELEASED TO PRODUCTION.	00864-08	RLFR		

DRAWN BY AFW	MAT'L:	SCALE NONE
DATE 6-12-00		DWG 00864-08
CHECKED BY RLFR		SIZE A