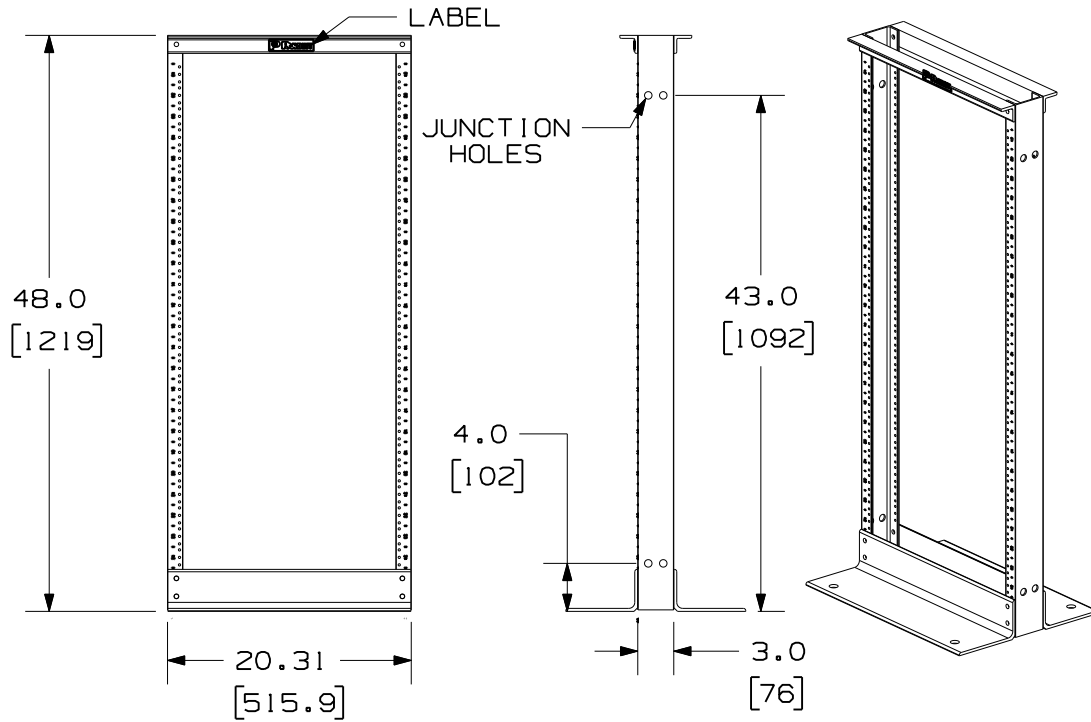


THIS COPY IS PROVIDED ON A RESTRICTED BASIS AND IS NOT TO BE USED IN ANY WAY DETRIMENTAL TO THE INTERESTS OF PANDUIT CORP.



PANDUIT P/N	WEIGHT
CMR19X47	18.40 LB/EACH (8.35 KG/EACH)

NOTES:

- CAN BE USED WITH ANY INDUSTRY STANDARD 19" COMPONENTS IN ADDITION TO ALL PANDUIT CABLE MANAGEMENT AND PATCH PANEL PRODUCTS.
- WILL HOLD UP TO 24 SINGLE RACK SPACINGS.
- UNIVERSAL SPACING ON RACK: I.E., REF. HOLE SPACING ON UPRIGHT CHANNELS: .625, .625, .500, .625, .625, .500, ETC.
- ASSEMBLY IS REQUIRED.
- RACK PART THICKNESSES:
  - UPRIGHT CHANNELS: WEB; .14 ±.03  
FLANGE; .19 ±.03
  - TOP BRACKET: .25 ±.03
  - BASE BRACKET: .25 ±.03
- DIMENSIONS IN PARENTHESIS ARE IN METRIC.
- ALL ASSEMBLY HARDWARE INCLUDED:
  - (12) 3/8-16 X 1" BLACK HEX HEAD CAP SCREW.
  - (24) 3/8" PAINT PIERCING GROUNDING WASHER.
  - (1) TUBE OF ANTI-OXIDIZING PASTE.
  - (12) 3/8-16 BLACK HEX NUTS.
  - (24) 12-24 X .5" SLOTTED PAN HEAD STEEL SCREWS.
- TESTED AND APPROVED 300 LBS LOAD RATING BY UNDERWRITERS LABORATORIES.

MODEL FILENAME	M00256AC/07
CAD FILENAME/LAYERS	M00256AC_DC/07A
<b>PANDUIT</b> CORP. TINLEY PARK, ILLINOIS	
CABLE MANAGEMENT RACK (CMR19X47) CUSTOMER DRAWING	

REV	DATE	BY	CHK	DESCRIPTION	ECN	CHK	CUST	SUP	UNLESS OTHERWISE SPECIFIED, DIMENSIONAL TOLERANCES ARE: (.X) ± (.XX) ±	UNLESS OTHERWISE SPECIFIED, ALL DIMENSIONS ARE GIVEN IN INCHES, THIRD ANGLE PROJECTION.
07A	11-10-08	BAME	DPK	CHANGED NUMBERING ORIENTATION UPDATED HARDWARE NOTE UPDATED REVISION BLOCK	00256-06				DRAWN BY JsP	SCALE NONE
5	10-03-06	LEE	MWH	F. CHANNEL GEOMETRY (HOLES) REVISED E. NOTE 8 REVISED	00256-06	KRKE	KRKE		DATE 5-29-98	DRAWING NO. 00256-06
									CHECKED BY KRKE	DWG A