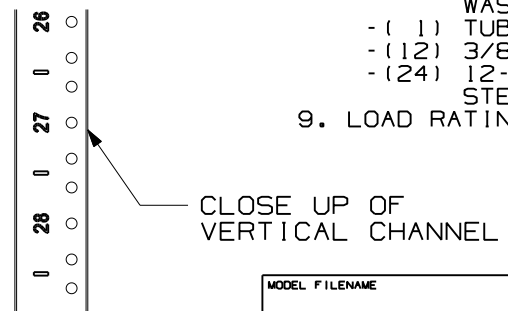
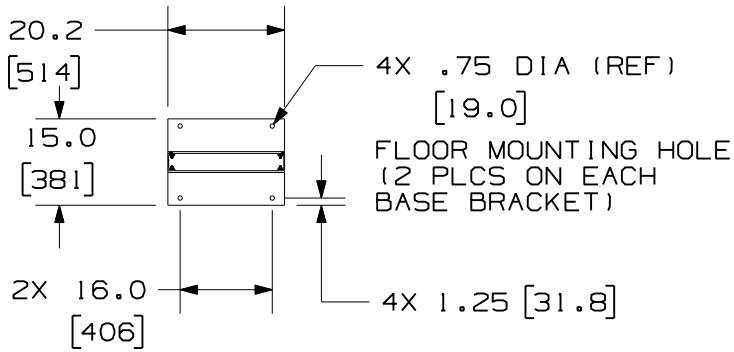
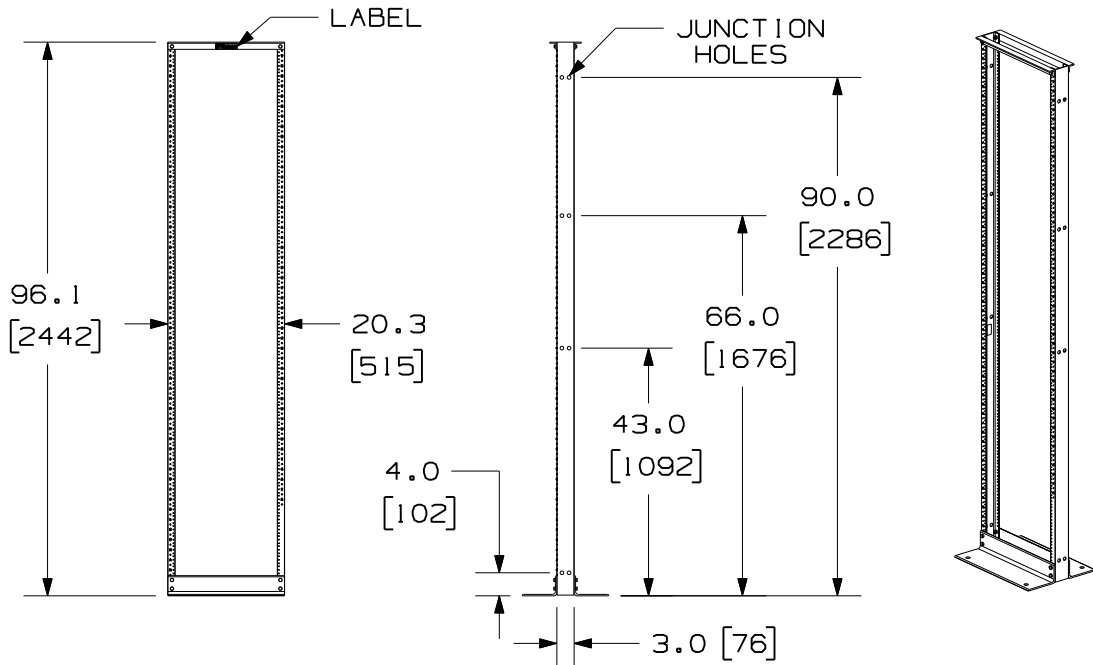


THIS COPY IS PROVIDED ON A RESTRICTED BASIS AND IS NOT TO BE USED IN ANY WAY DETRIMENTAL TO THE INTERESTS OF PANDUIT CORP.



PANDUIT P/N	WEIGHT
CMR19X96	28.5 LB/EACH (13.0 KG/EACH)

- NOTES:
- VISIT OUR ON-LINE CATALOG AT [WWW.PANDUIT.COM](http://WWW.PANDUIT.COM) FOR A LIST OF CURRENT PARTS APPLICABLE FOR USE WITH THIS PRODUCT.
  - CAN BE USED WITH ANY INDUSTRY STANDARD 19" COMPONENTS IN ADDITION TO ALL PANDUIT CABLE MANAGEMENT AND PATCH PANEL PRODUCTS.
  - WILL HOLD UP TO 52 SINGLE RACK SPACINGS.
  - EIA SPACING ON RACK: I.E., REF. HOLE SPACING ON UPRIGHT CHANNELS: .625, .625, .500, .625, .625, .500, ETC.
  - ASSEMBLY IS REQUIRED.
  - RACK PART THICKNESSES:
    - UPRIGHT CHANNEL: WEB; .14 ±.03  
FLANGE; .19 ±.03
    - TOP BRACKET: .187 ±.03
    - BASE BRACKET: .25 ±.03
  - DIMENSIONS IN PARENTHESIS ARE IN METRIC.
  - ALL ASSEMBLY HARDWARE INCLUDED:
    - (12) 3/8-16 X 1" BLACK HEX HEAD CAP SCREW
    - (24) 3/8" PAINT PIERCING GROUNDING WASHER
    - (1) TUBE OF ANTI-OXIDIZING PASTE
    - (12) 3/8-16 BLACK HEX NUTS
    - (24) 12-24 X .5" SLOTTED PAN HEAD STEEL SCREWS
  - LOAD RATING - 1000 LBS

MODEL FILENAME	V10472AA/01
CAD FILENAME/LAYERS	V10472AA_DC/01A
<h1>PANDUIT</h1> CORP. TINLEY PARK, ILLINOIS CABLE MANAGEMENT RACK (CMR19X96) CUSTOMER DRAWING	

REV	DATE	BY	CHK	DESCRIPTION	ECN	R	CUST	SUP	OTH
O1A	11-6-08	BAME	<i>DPM</i>	CHANGED NUMBER ORIENTATION UPDATED HARDWARE NOTE	10472-03				
00	4-03-07	LEE	MWH	RELEASED TO PRODUCTION	10472-03		KRKE		

UNLESS OTHERWISE SPECIFIED, DIMENSIONAL TOLERANCES ARE: INCHES: X.X, X.XX, X.XXX [METRIC - MILLIMETER]: X, X.X, X.XX		ANGLE	UNLESS OTHERWISE SPECIFIED, ALL DIMENSIONS ARE GIVEN IN INCHES, THIRD ANGLE PROJECTION.
DRAWN BY LEE	MAT'L: ALUMINUM	SCALE NONE	DRAWING NO. 10472-03
DATE 4-03-07	CHK'D MWH	DWG A	SIZE