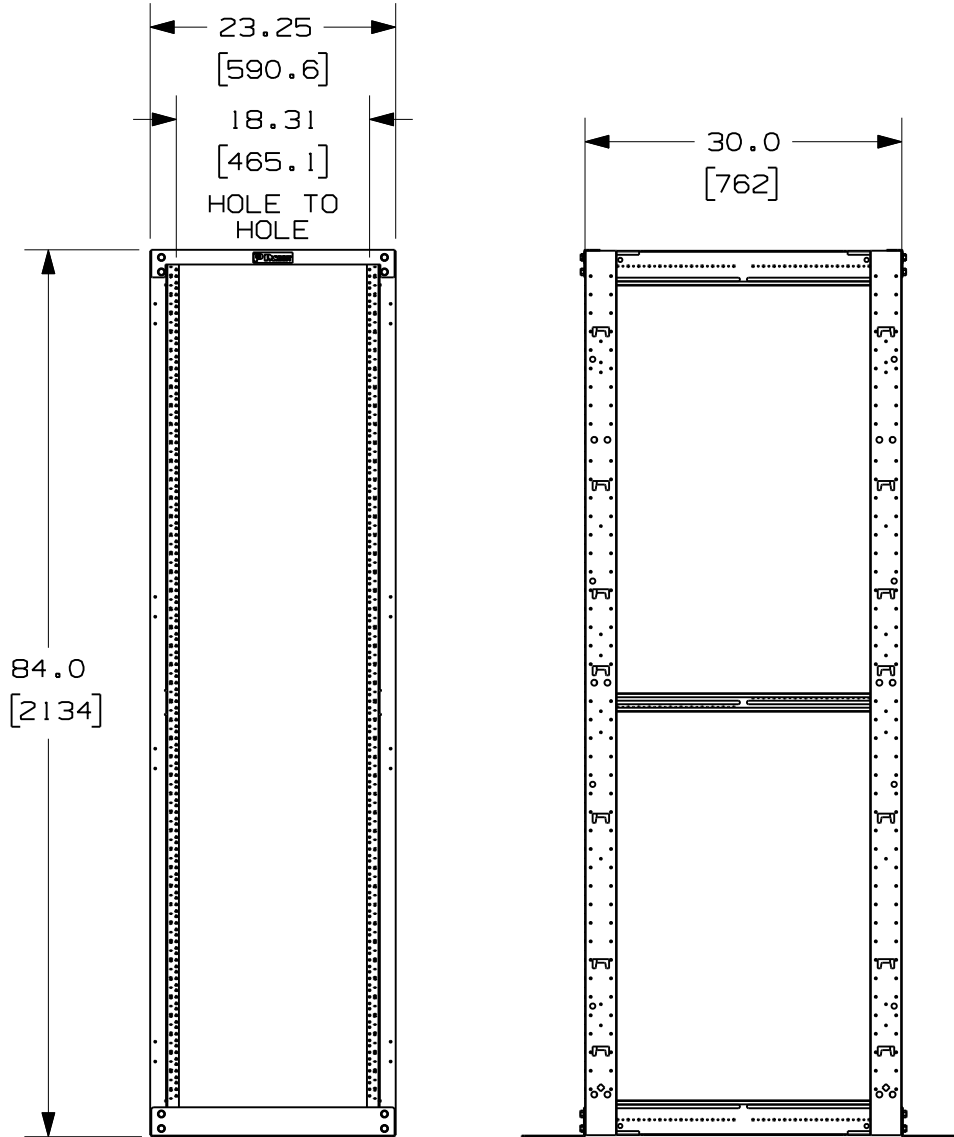


THIS COPY IS PROVIDED ON A RESTRICTED BASIS AND IS NOT TO BE USED IN ANY WAY DETRIMENTAL TO THE INTERESTS OF PANDUIT CORP.



| PANDUIT P/N | WEIGHT |
|-------------|------------------------------|
| R4P | 105 LBS/EACH 47.6 Kg/EACH |
| R4PCN | 96 LBS/EACH 43.5 Kg/EACH |

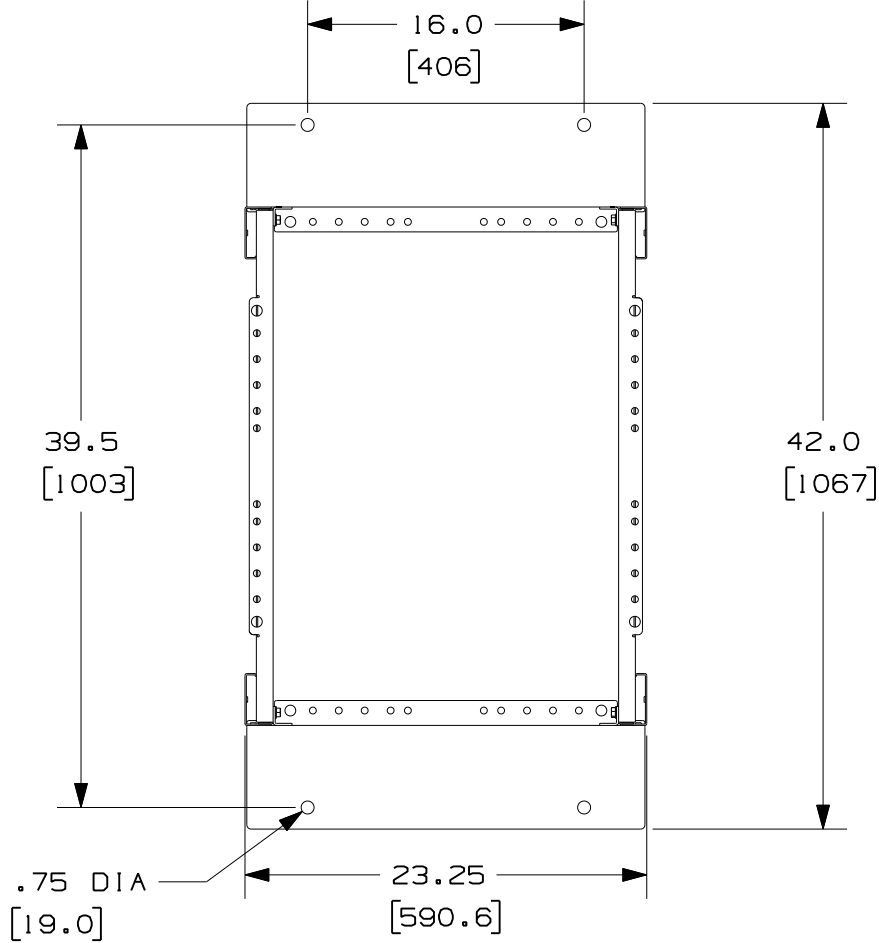
NOTES:

- VISIT OUR ON-LINE CATALOG AT WWW.PANDUIT.COM FOR A LIST OF CURRENT PARTS APPLICABLE FOR USE WITH THIS PRODUCT.
- DIMENSIONS IN PARENTHESIS ARE METRIC.
- INDEPENDENT ADJUSTABLE FRONT & REAR MOUNTING RAILS (EIA) ADJUST FROM 2.75" TO 30" DEPTH.
- CAN BE USED WITH ANY EIA STANDARD COMPONENT IN ADDITION TO ALL PANDUIT HORIZONTAL CABLE MANAGEMENT AND PATCH PANEL PRODUCTS.
- 45 AVAILABLE RACK SPACES.
- EIA UNIVERSAL STANDARD HOLE PROGRESSION ON FRONT CHANNELS AND REAR MOUNT RAILS .625", .625", .500", .625", .625", .500"...ETC.
- ALL RACKS WILL HAVE NUMBERS UP ORIENTATION (RU "01" ON BOTTOM, RU "45" ON TOP). INSTRUCTIONS WILL BE PROVIDED ON HOW TO GET NUMBERS DOWN ORIENTATION.
- RU SPACING NUMBERS ARE CLEARLY PRINTED ON MOUNTING RAILS.
- ALL ASSEMBLY HARDWARE INCLUDED:
 - (16) 3/8-16 X 1" BLACK HEX BOLT
 - (16) 3/8" PAINT PIERCING GROUNDING WASHER
 - (1) TUBE OF ANTI-OXIDIZING PASTE
 - (25) 12-24 X .5" SLOTTED PAN HEAD STEEL SCREW
 - (25) #12-24 CAGE NUTS (ONLY PROVIDED FOR R4PCN)
- EASY ASSEMBLY, ONE WRENCH NEEDED TO INSTALL BOLTS INTO WELDNUTS IN ALL 8 CORNERS.
- FULLY BONDED STRUCTURE WHEN ASSEMBLED PER INSTRUCTIONS.
- LOAD RATING - 2500 LBS.

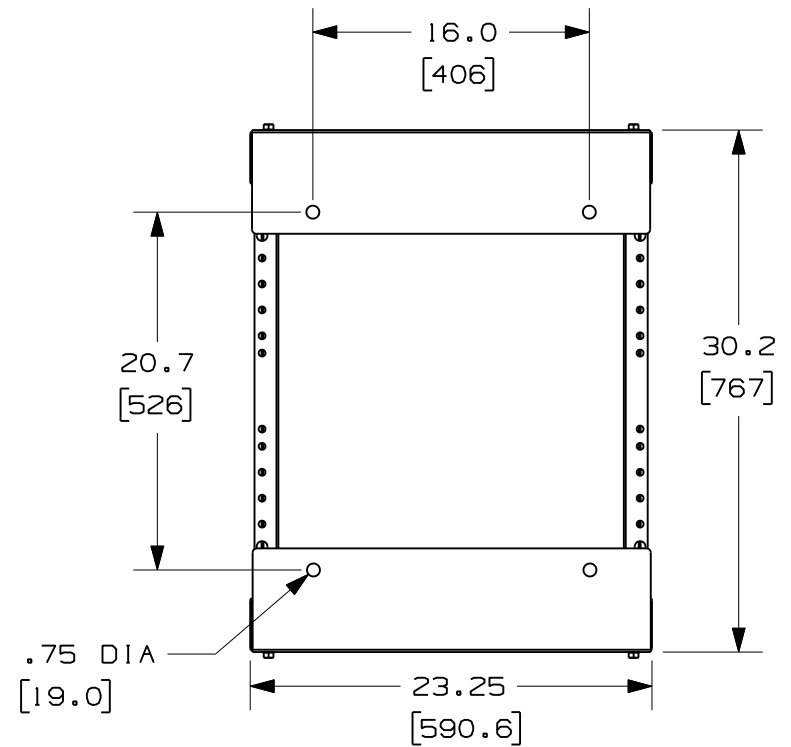
| | | | |
|--|---------|---|-------|
| MODEL FILENAME | | V10679AB/03 | |
| CAD FILENAME/LAYERS | | V10679AB_DC/03B | |
| <h1>PANDUIT</h1> CORP. TINLEY PARK, ILLINOIS | | | |
| <h2>30" DEEP 4 POST RACK (R4P/R4PCN) CUSTOMER DRAWING</h2> | | | |
| UNLESS OTHERWISE SPECIFIED, DIMENSIONAL TOLERANCES ARE: | | UNLESS OTHERWISE SPECIFIED, ALL DIMENSIONS ARE GIVEN IN INCHES, THIRD ANGLE PROJECTION. | |
| (.X) ± | | (.XXX) ± | |
| (.XX) ± | | ANGLES ± | |
| DRAWN BY | BAME | MAT'L: | STEEL |
| DATE | 3-30-09 | | |
| CHK'D | DSI | | |
| SCALE | | NONE | |
| DRAWING NO. | | V10679AB-DC | |
| SHEET 1 OF 3 | | A SIZE | |

| REV | DATE | BY | CHK | DESCRIPTION | ECN | R | CUST | SUP | OTH |
|-----|---------|------|-----|------------------------|-------------|---|------|-----|-----|
| 03B | 3-30-10 | BAME | DPH | UPDATED DIMS ON PAGE 2 | V10679AB-DC | | | | |
| 03A | 10-9-09 | BAME | DSI | ADJUSTED LOAD RATING | V10679AB-DC | | CMK | | |
| 02A | 3-30-09 | BAME | DSI | RELEASED TO PRODUCTION | V10679AB-DC | | CMK | | |

THIS COPY IS PROVIDED ON A RESTRICTED BASIS AND IS NOT TO BE USED IN ANY WAY DETRIMENTAL TO THE INTERESTS OF PANDUIT CORP.



FLOOR FOOTPRINT WITH
BASE ANGLES TURNED
OUTWARD FOR EXTENDED
FOOTPRINT



FLOOR FOOTPRINT WITH
BASE ANGLES TURNED INWARD

MODEL FILENAME V10679AB/03

CAD FILENAME/LAYERS V10679AB_DC/03B

PANDUIT CORP. TINLEY PARK, ILLINOIS

30" DEEP 4 POST RACK
(R4P/R4PCN) CUSTOMER DRAWING

UNLESS OTHERWISE SPECIFIED,
DIMENSIONAL TOLERANCES ARE:
(.X) ± (.XXX) ±
(.XX) ± ANGLES ±

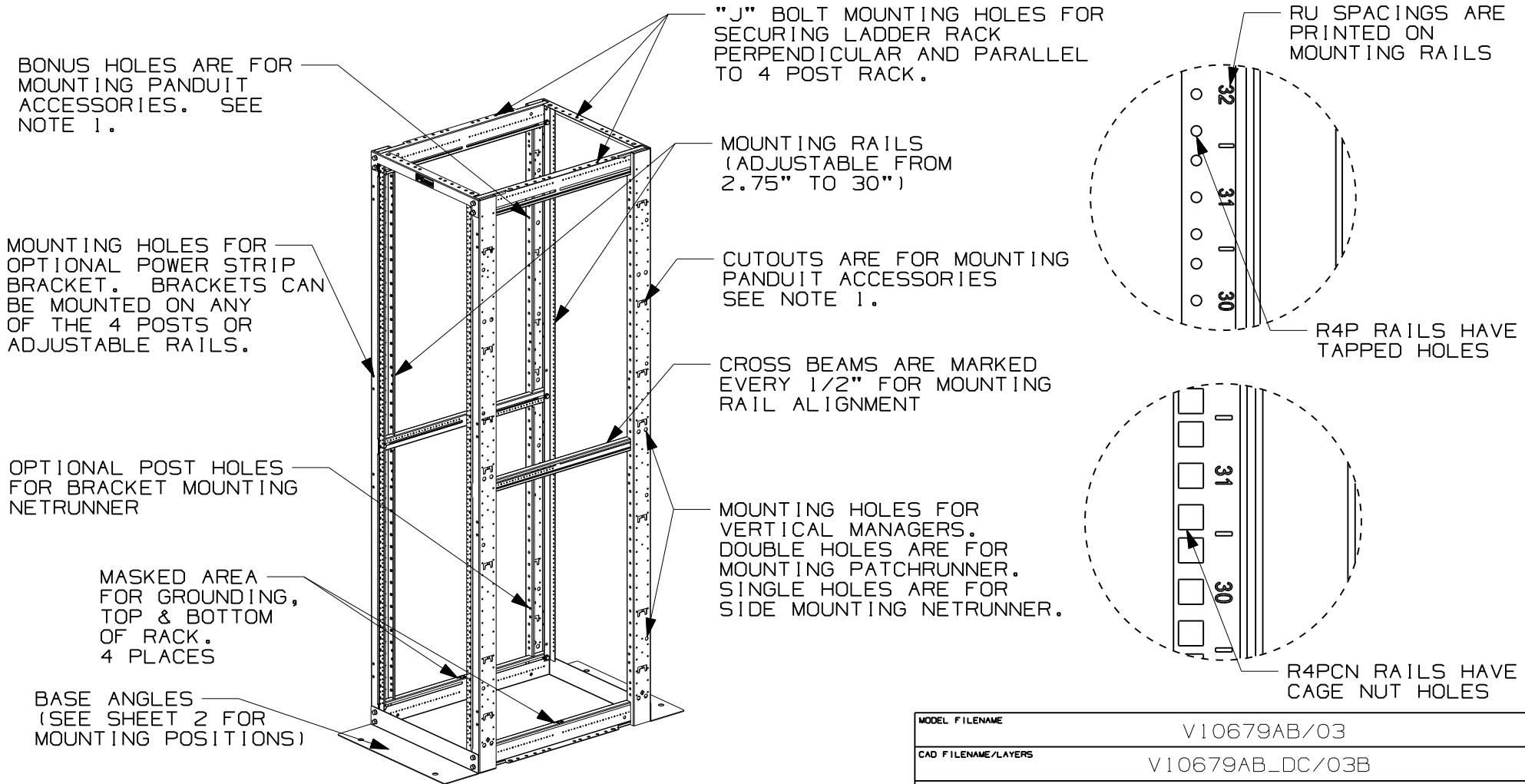
UNLESS OTHERWISE SPECIFIED,
ALL DIMENSIONS ARE GIVEN
IN INCHES, THIRD ANGLE PROJECTION.

| | | |
|------------------|---------------------|----------------------------|
| DRAWN BY BAME | MAT'L: STEEL | SCALE NONE |
| DATE 3-30-09 | | DRAWING NO. V10679AB-DC |
| CHK'D DSI | | SHEET 2 OF 3 |

DWG
A
SIZE

| REV | DATE | BY | CHK | DESCRIPTION | ECN | R | CUST | SUP | OTH |
|-----|---------|------|-----|--------------------------------|-------------|---|------|-----|-----|
| 03B | 3-30-10 | BAME | DPK | SEE SHEET 1 OF 3 FOR REVISIONS | V10679AB-DC | | | | |
| 03A | 10-9-09 | BAME | DS1 | SEE SHEET 1 OF 3 FOR REVISIONS | V10679AB-DC | | CMK | | |
| 02A | 3-30-09 | BAME | DS1 | SEE SHEET 1 OF 3 FOR REVISIONS | V10679AB-DC | | CMK | | |

THIS COPY IS PROVIDED ON A RESTRICTED BASIS AND IS NOT TO BE USED IN ANY WAY DETRIMENTAL TO THE INTERESTS OF PANDUIT CORP.



MODEL FILENAME V10679AB/03

CAD FILENAME/LAYERS V10679AB_DC/03B

PANDUIT CORP. TINLEY PARK, ILLINOIS

30" DEEP 4 POST RACK (R4P/R4PCN) CUSTOMER DRAWING

UNLESS OTHERWISE SPECIFIED, DIMENSIONAL TOLERANCES ARE:
 (.X) ± (.XXX) ±
 (.XX) ± ANGLES ±

UNLESS OTHERWISE SPECIFIED, ALL DIMENSIONS ARE GIVEN IN INCHES, THIRD ANGLE PROJECTION.

| | | |
|------------------|---------------------|----------------------------|
| DRAWN BY BAME | MAT'L: STEEL | SCALE NONE |
| DATE 3-30-09 | | DRAWING NO. V10679AB-DC |
| CHK'D DSI | | SHEET 3 OF 3 |
| | | DWG A SIZE |

| REV | DATE | BY | CHK | DESCRIPTION | ECN | R | CUST | SUP | OTH |
|-----|---------|------|-----|--------------------------------|-------------|---|------|-----|-----|
| 03B | 3-30-10 | BAME | DSI | SEE SHEET 1 OF 3 FOR REVISIONS | V10679AB-DC | | | | |
| 03A | 10-9-09 | BAME | DSI | SEE SHEET 1 OF 3 FOR REVISIONS | V10679AB-DC | | CMK | | |
| 02A | 3-30-09 | BAME | DSI | SEE SHEET 1 OF 3 FOR REVISIONS | V10679AB-DC | | CMK | | |