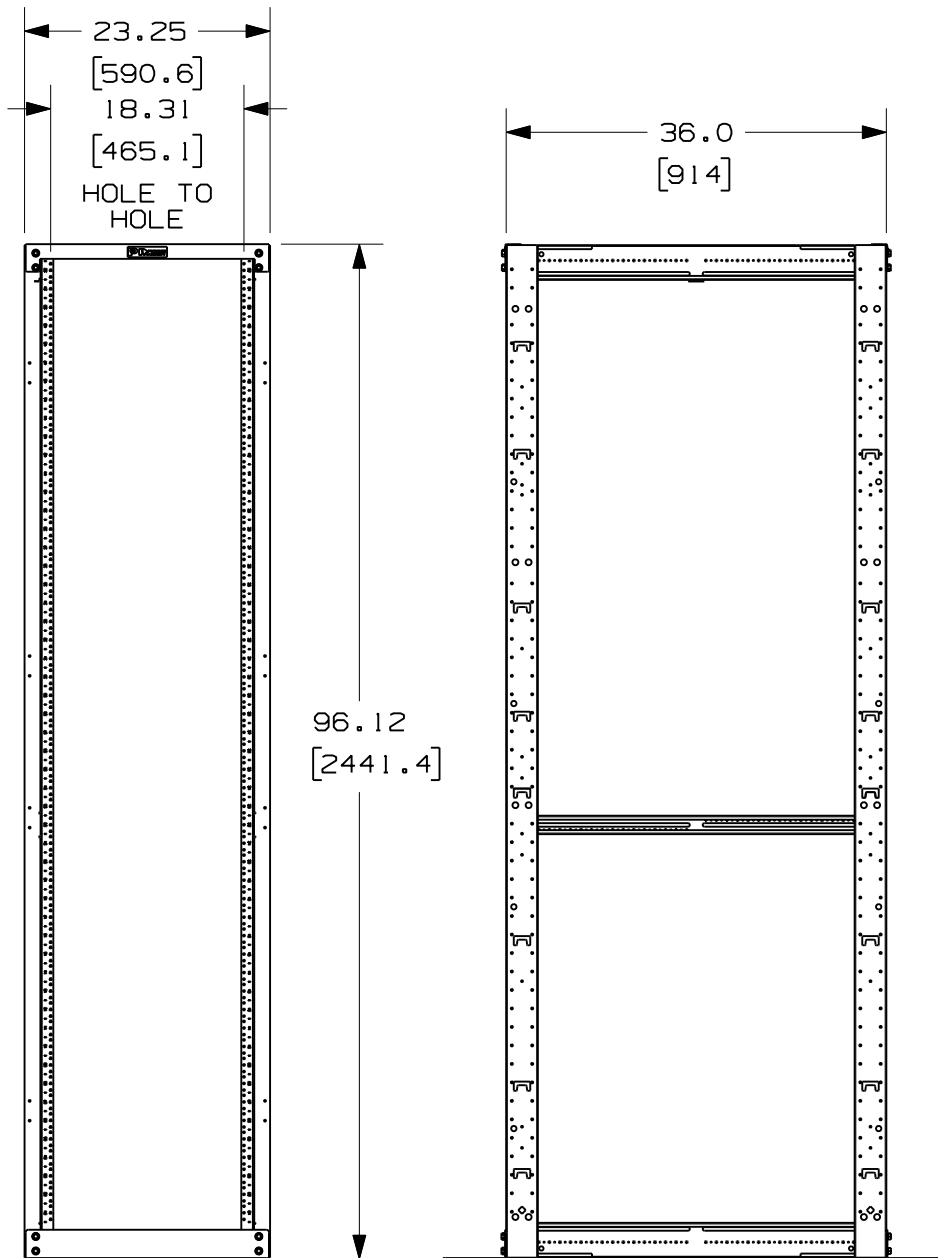


THIS COPY IS PROVIDED ON A RESTRICTED BASIS AND IS NOT TO BE USED IN ANY WAY DETRIMENTAL TO THE INTERESTS OF PANDUIT CORP.



PANDUIT P/N	WEIGHT
R4P3696	120 LBS/EACH 54.5 Kg/EACH
R4P36CN96	110 LBS/EACH 50.0 Kg/EACH

NOTES:

- VISIT OUR ON-LINE CATALOG AT WWW.PANDUIT.COM FOR A LIST OF CURRENT PARTS APPLICABLE FOR USE WITH THIS PRODUCT.
- DIMENSIONS IN PARENTHESIS ARE METRIC.
- INDEPENDENT ADJUSTABLE FRONT & REAR MOUNTING RAILS (EIA) ADJUST FROM 3.25" TO 36" DEPTH.
- CAN BE USED WITH ANY EIA STANDARD COMPONENT IN ADDITION TO ALL PANDUIT HORIZONTAL CABLE MANAGEMENT AND PATCH PANEL PRODUCTS.
- 52 AVAILABLE RACK SPACES.
- EIA UNIVERSAL STANDARD HOLE PROGRESSION ON FRONT CHANNELS AND REAR MOUNT RAILS .625", .625", .500", .625", .625", .500"...ETC.
- ALL RACKS WILL HAVE NUMBERS UP ORIENTATION (RU "01" ON BOTTOM, RU "52" ON TOP). INSTRUCTIONS WILL BE PROVIDED ON HOW TO GET NUMBERS DOWN ORIENTATION.
- RU SPACING NUMBERS ARE CLEARLY PRINTED ON MOUNTING RAILS.
- ALL ASSEMBLY HARDWARE INCLUDED:
 - (12) 3/8-16 X 1" BLACK HEX CAP SCREW
 - (24) 3/8" PAINT PIERCING GROUNDING WASHER
 - (1) TUBE OF ANTI-OXIDIZING PASTE
 - (12) 3/8-16 BLACK HEX NUT
 - (25) 12-24 X .5" SLOTTED PAN HEAD STEEL SCREW
 - (25) #12-24 CAGE NUTS (ONLY PROVIDED FOR R4P36CN96)
- EASY ASSEMBLY, ONE WRENCH NEEDED TO INSTALL BOLTS INTO WELDNUTS IN ALL 8 CORNERS.
- FULLY BONDED STRUCTURE WHEN ASSEMBLED PER INSTRUCTIONS.
- LOAD RATING - 2500 LBS.

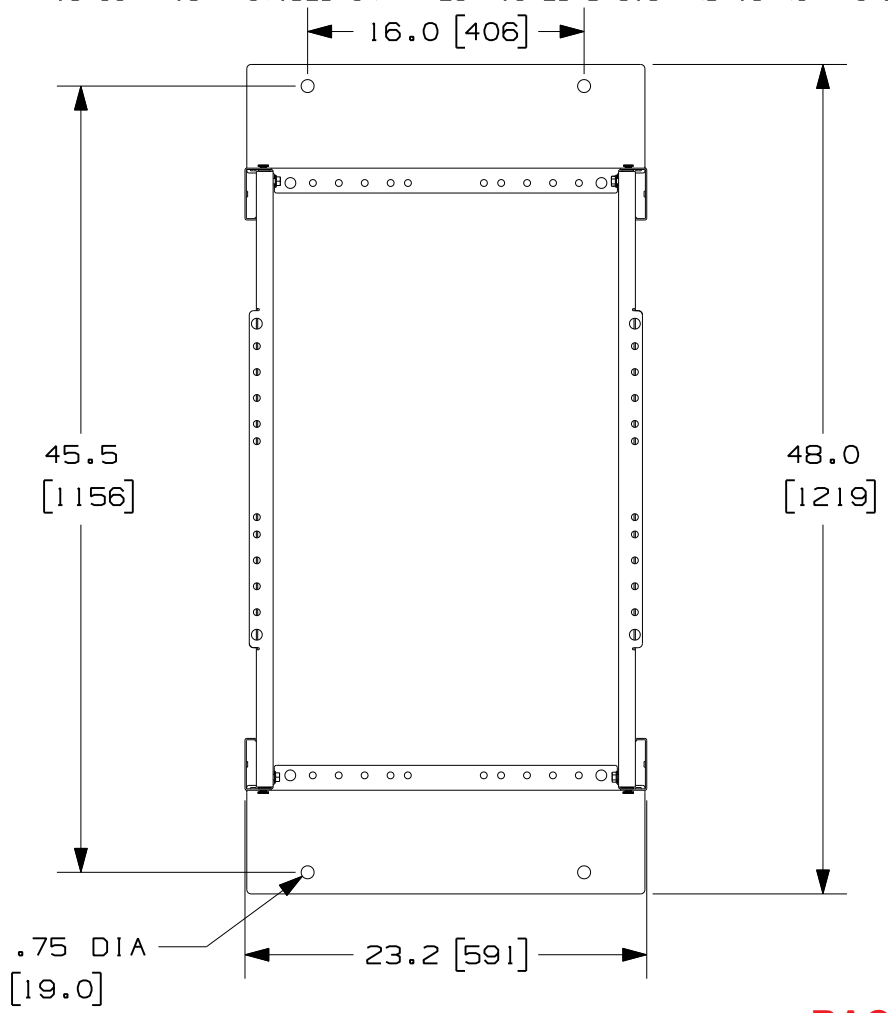
MODEL FILENAME	V10679ZD/01
CAD FILENAME/LAYERS	V10679ZD_DC/01A
<h1>PANDUIT</h1> CORP. TINLEY PARK, ILLINOIS	
8 FOOT 36" DEEP 4 POST RACK (R4P3696/R4P36CN96) CUSTOMER DRAWING	

UNLESS OTHERWISE SPECIFIED,
DIMENSIONAL TOLERANCES ARE:
(.X) ± (.XXX) ±
(.XX) ± ANGLES ±

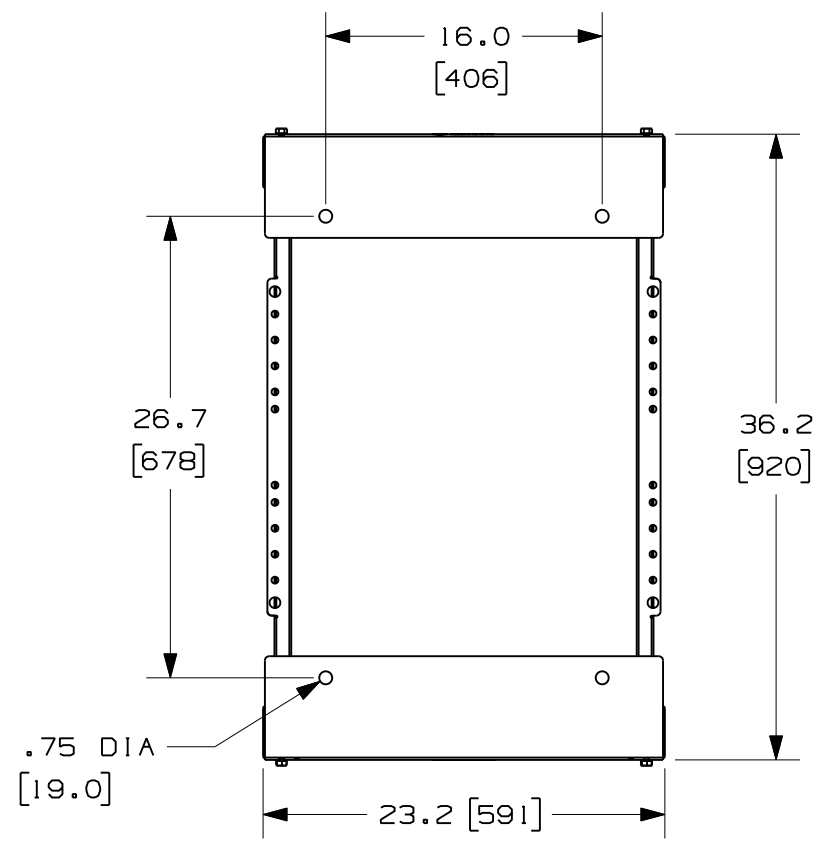
UNLESS OTHERWISE SPECIFIED,
ALL DIMENSIONS ARE GIVEN
IN INCHES, THIRD ANGLE PROJECTION.

REV	DATE	BY	CHK	DESCRIPTION	ECN	R	CUST	SUP	OTH	DRAWN BY	MAT'L:	SCALE	DRAWING NO.	DWG SIZE
O1A	10-9-09	BAME	DSI	ADJUSTED LOAD RATING HEIGHT WAS 96.00	V10679ZD-DC					BAME	STEEL	NONE	V10679ZD-DC	A
OOA	7-2-09	BAME	DSI	RELEASED TO PRODUCTION	V10679ZD-DC		CMK			7-2-09		SHEET 1 OF 3		
										DSI				

THIS COPY IS PROVIDED ON A RESTRICTED BASIS AND IS NOT TO BE USED IN ANY WAY DETRIMENTAL TO THE INTERESTS OF PANDUIT CORP.



FLOOR FOOTPRINT WITH
BASE ANGLES TURNED
OUTWARD FOR EXTENDED
FOOTPRINT



FLOOR FOOTPRINT WITH
BASE ANGLES TURNED INWARD

**RACK SYSTEMS
ENGINEERING DEPT.
RELEASED DATE
Mar 12, 2010**

MODEL FILENAME	V10679ZD/01
CAD FILENAME/LAYERS	V10679ZD_DC/01A
PANDUIT CORP. TINLEY PARK, ILLINOIS	
8 FOOT 36" DEEP 4 POST RACK (R4P3696/R4P36CN96) CUSTOMER DRAWING	

UNLESS OTHERWISE SPECIFIED, DIMENSIONAL TOLERANCES ARE: (.X) ± (.XX) ±	UNLESS OTHERWISE SPECIFIED, ALL DIMENSIONS ARE GIVEN IN INCHES, THIRD ANGLE PROJECTION.
---	---

REV	DATE	BY	CHK	DESCRIPTION	ECN	R	CUST	SUP	OTH
O1A	10-9-09	BAME	DSI	SEE SHEET 1 OF 3 FOR REVISIONS	V10679ZD-DC				
O0A	7-2-09	BAME	DSI	SEE SHEET 1 OF 3 FOR REVISIONS	V10679ZD-DC		CMK		

DRAWN BY BAME	MAT'L: STEEL	SCALE NONE
DATE 7-2-09		DRAWING NO. V10679ZD-DC
CHK'D DSI		SHEET 2 OF 3
		DWG A SIZE

THIS COPY IS PROVIDED ON A RESTRICTED BASIS AND IS NOT TO BE USED IN ANY WAY DETRIMENTAL TO THE INTERESTS OF PANDUIT CORP.

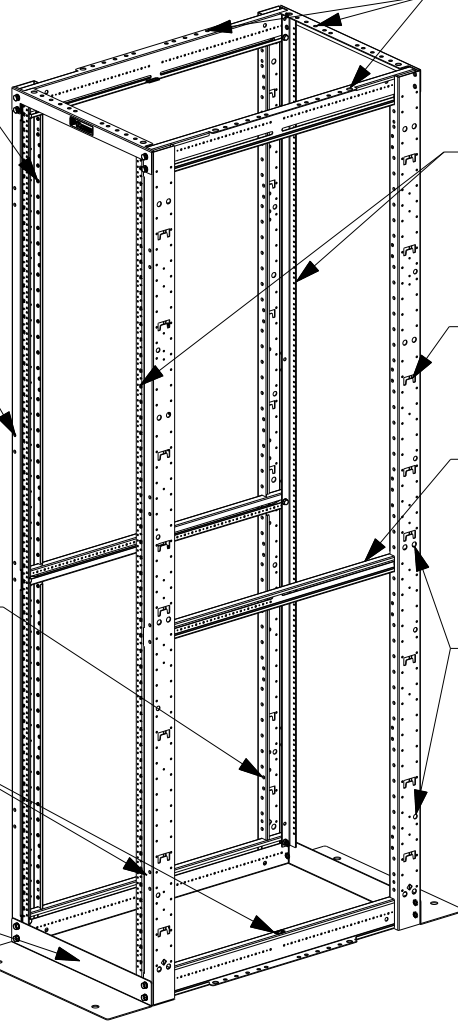
BONUS HOLES ARE FOR MOUNTING PANDUIT ACCESSORIES. SEE NOTE 1

MOUNTING HOLES FOR OPTIONAL POWER STRIP BRACKET. BRACKETS CAN BE MOUNTED ON ANY OF THE 4 POSTS OR ADJUSTABLE RAILS.

OPTIONAL POST HOLES FOR BRACKET MOUNTING NETRUNNER

MASKED AREA FOR GROUNDING, TOP & BOTTOM OF RACK. 4 PLACES

BASE ANGLES (SEE SHEET 2 FOR MOUNTING POSITIONS)



"J" BOLT MOUNTING HOLES FOR SECURING LADDER RACK PERPENDICULAR AND PARALLEL TO 4 POST RACK.

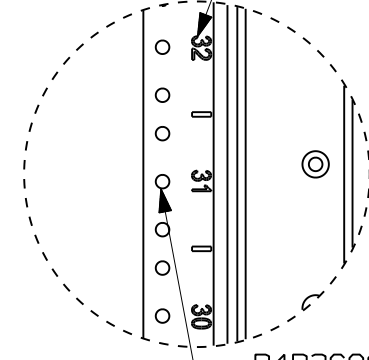
MOUNTING RAILS (ADJUSTABLE FROM 3.25" TO 36")

CUTOUTS FOR MOUNTING PANDUIT ACCESSORIES SEE NOTE 1.

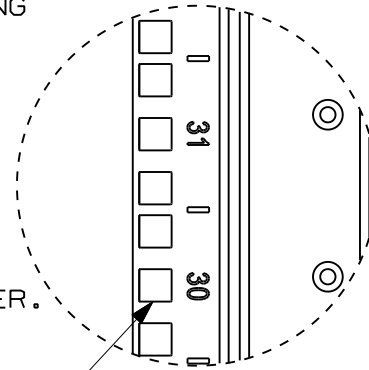
CROSS BEAMS ARE MARKED EVERY 1/2" FOR MOUNTING RAIL ALIGNMENT

MOUNTING HOLES FOR VERTICAL MANAGERS. DOUBLE HOLES ARE FOR MOUNTING PATCHRUNNER. SINGLE HOLES ARE FOR SIDE MOUNTING NETRUNNER.

RU SPACINGS ARE PRINTED ON MOUNTING RAILS



R4P3696 RAILS HAVE TAPPED HOLES



R4P36CN96 RAILS HAVE CAGE NUT HOLES

**RACK SYSTEMS
ENGINEERING DEPT.
RELEASED DATE
Mar 12, 2010**

MODEL FILENAME V10679ZD/01

CAD FILENAME/LAYERS V10679ZD_DC/01A

PANDUIT CORP. TINLEY PARK, ILLINOIS

8 FOOT 36" DEEP 4 POST RACK (R4P3696/R4P36CN96) CUSTOMER DRAWING

UNLESS OTHERWISE SPECIFIED, DIMENSIONAL TOLERANCES ARE:
(.X) ± (.XXX) ±
(.XX) ± ANGLES ±

UNLESS OTHERWISE SPECIFIED, ALL DIMENSIONS ARE GIVEN IN INCHES, THIRD ANGLE PROJECTION.

REV	DATE	BY	CHK	DESCRIPTION	ECN	R	CUST	SUP	OTH
O1A	10-9-09	BAME	DSI	SEE SHEET 1 OF 3 FOR REVISIONS	V10679ZD-DC				
O0A	7-2-09	BAME	DSI	SEE SHEET 1 OF 3 FOR REVISIONS	V10679ZD-DC		CMK		

DRAWN BY BAME	MAT'L: STEEL	SCALE NONE
DATE 7-2-09		DRAWING NO. V10679ZD-DC SHEET 3 OF 3
CHK'D DSI		DWG SIZE A