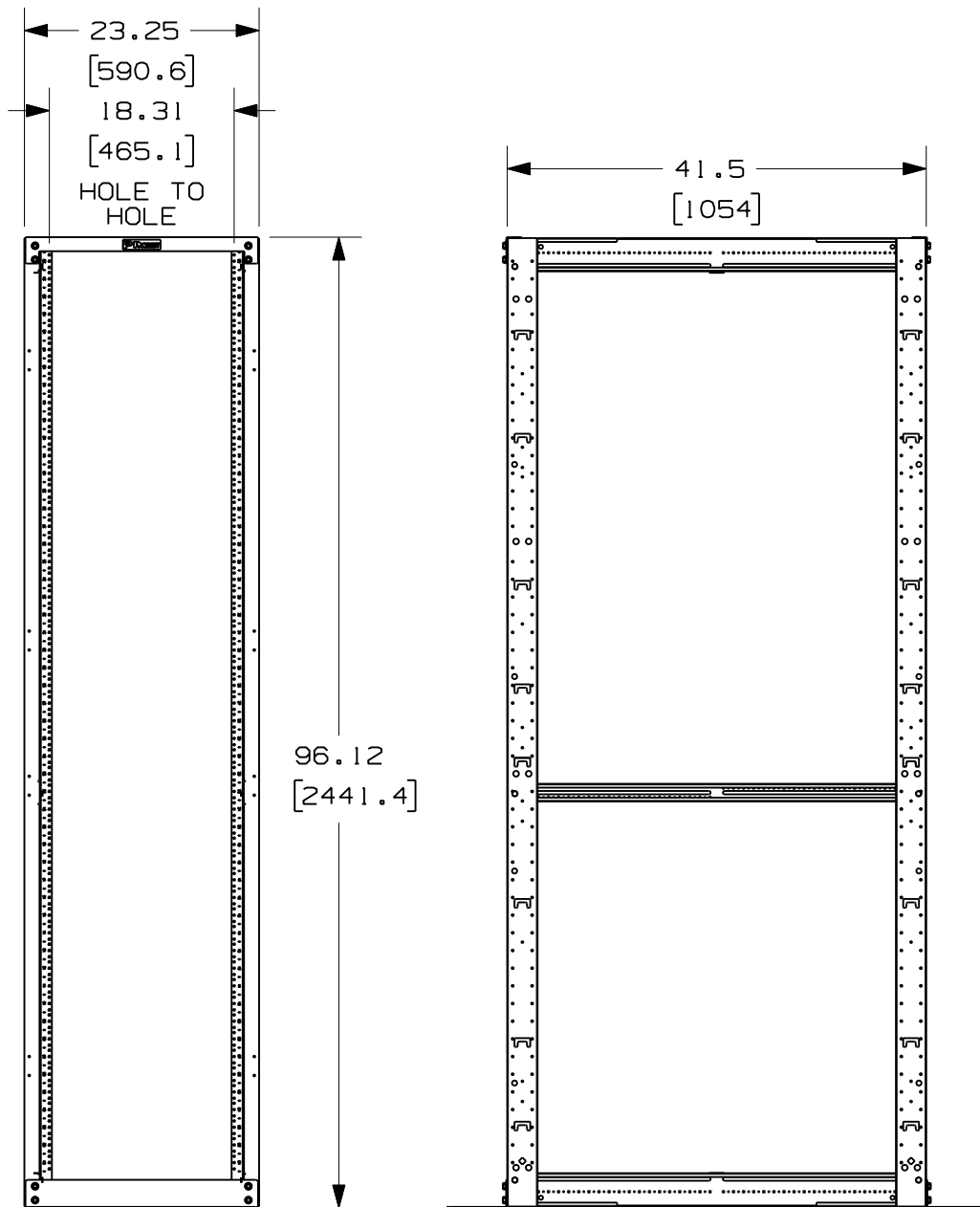


THIS COPY IS PROVIDED ON A RESTRICTED BASIS AND IS NOT TO BE USED IN ANY WAY DETRIMENTAL TO THE INTERESTS OF PANDUIT CORP.



PANDUIT P/N	WEIGHT
R4P4296	123 LBS/EACH 56.0 Kg/EACH
R4P42CN96	113 LBS/EACH 51.5 Kg/EACH

- NOTES:
- VISIT OUR ON-LINE CATALOG AT WWW.PANDUIT.COM FOR A LIST OF CURRENT PARTS APPLICABLE FOR USE WITH THIS PRODUCT.
 - DIMENSIONS IN PARENTHESIS ARE METRIC.
 - INDEPENDENT ADJUSTABLE FRONT & REAR MOUNTING RAILS (EIA) ADJUST FROM 3.25" TO 42" DEPTH.
 - CAN BE USED WITH ANY EIA STANDARD COMPONENT IN ADDITION TO ALL PANDUIT HORIZONTAL CABLE MANAGEMENT AND PATCH PANEL PRODUCTS.
 - 52 AVAILABLE RACK SPACES.
 - EIA UNIVERSAL STANDARD HOLE PROGRESSION ON FRONT CHANNELS AND REAR MOUNT RAILS .625", .625", .500", .625", .625", .500"...ETC.
 - ALL RACKS WILL HAVE NUMBERS UP ORIENTATION (RU "01" ON BOTTOM, RU "52" ON TOP). INSTRUCTIONS WILL BE PROVIDED ON HOW TO GET NUMBERS DOWN ORIENTATION.
 - RU SPACING NUMBERS ARE CLEARLY PRINTED ON MOUNTING RAILS.
 - ALL ASSEMBLY HARDWARE INCLUDED:
 - (16) 3/8-16 X 1" BLACK HEX BOLT
 - (16) 3/8" PAINT PIERCING GROUNDING WASHER
 - (1) TUBE OF ANTI-OXIDIZING PASTE
 - (25) 12-24 X .5" SLOTTED PAN HEAD STEEL SCREW
 - (25) #12-24 CAGE NUTS (ONLY PROVIDED FOR R4P42CN96)
 - EASY ASSEMBLY, ONE WRENCH NEEDED TO INSTALL BOLTS INTO WELDNUTS IN ALL 8 CORNERS.
 - FULLY BONDED STRUCTURE WHEN ASSEMBLED PER INSTRUCTIONS.
 - LOAD RATING - 2500 LBS.

MODEL FILENAME: V10679ZG/01
 CAD FILENAME/LAYERS: V10679ZG_DC/01A

PANDUIT CORP. TINLEY PARK, ILLINOIS

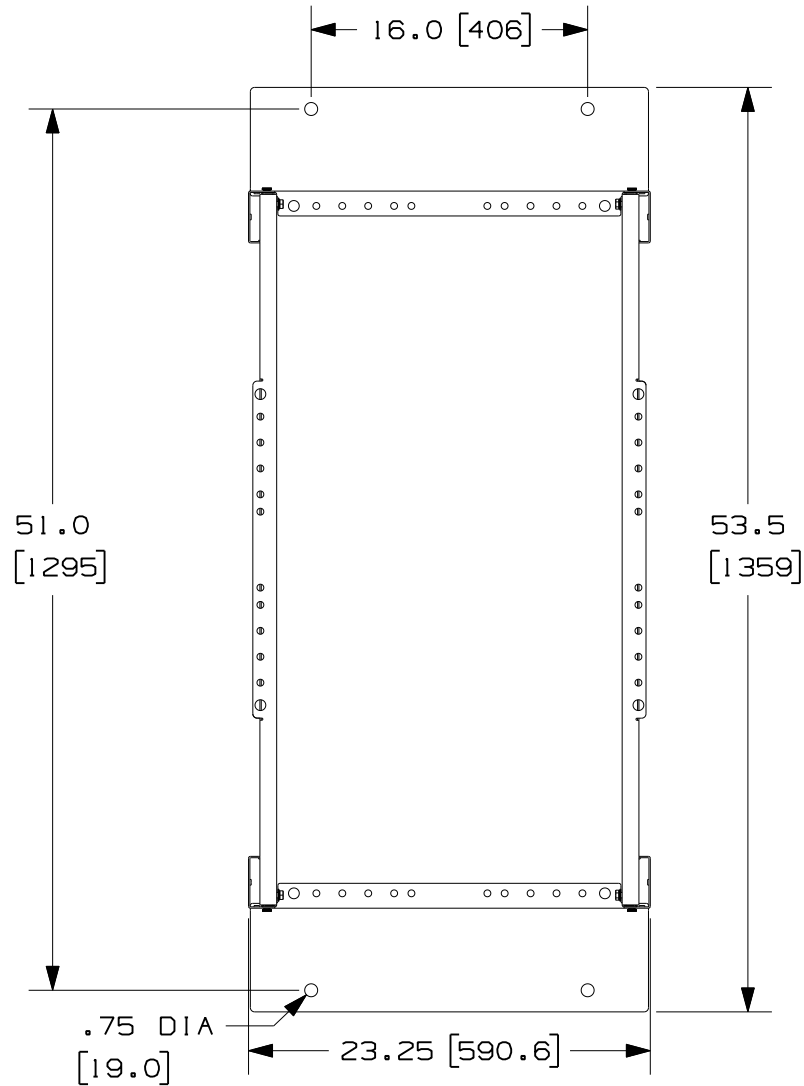
8FT 42" DEEP 4 POST RACK
 (R4P4296/R4P42CN96) CUSTOMER DRAWING

UNLESS OTHERWISE SPECIFIED, DIMENSIONAL TOLERANCES ARE:
 (.X) ± (.XXX) ±
 (.XX) ± ANGLES ±

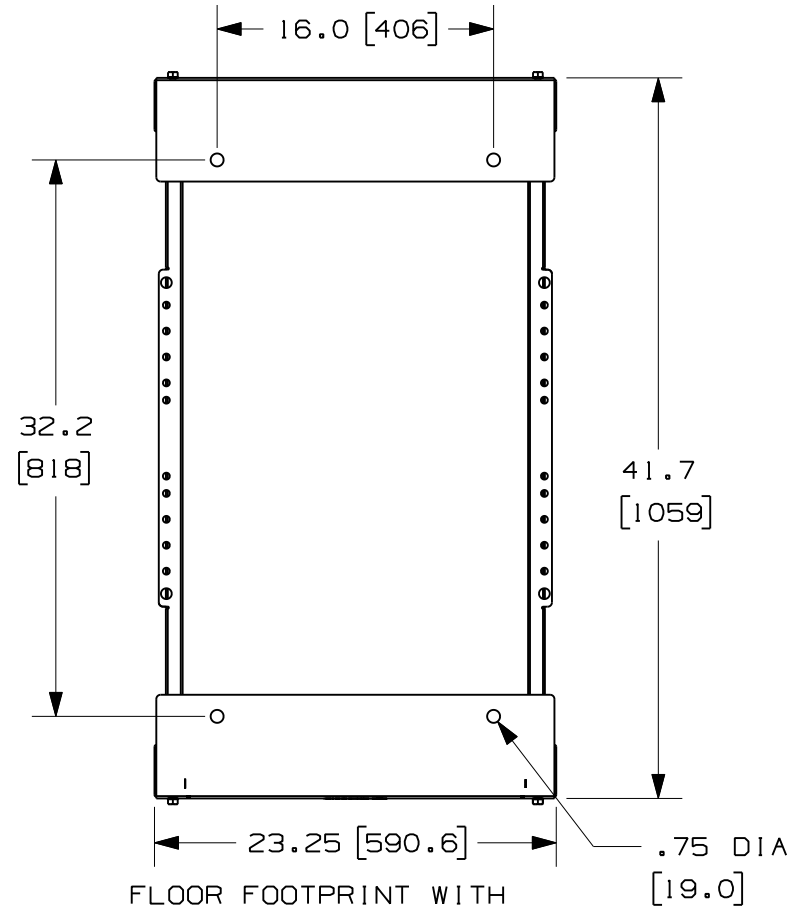
UNLESS OTHERWISE SPECIFIED, ALL DIMENSIONS ARE GIVEN IN INCHES, THIRD ANGLE PROJECTION.

REV	DATE	BY	CHK	DESCRIPTION	ECN	R	CUST	SUP	OTH	DRAWN BY	MAT'L:	SCALE	DRAWING NO.	DWG SIZE	
O1A	10-9-09	BAME	DPH	ADJUSTED LOAD RATING HEIGHT WAS 96.00	V10679ZG-DC					BAME	STEEL	NONE	V10679ZG-DC	A	
OOA	7-2-09	BAME	DS1	RELEASED TO PRODUCITON	V10679ZG-DC		CMK			DATE				SHEET 1 OF 3	
										CHK'D					

THIS COPY IS PROVIDED ON A RESTRICTED BASIS AND IS NOT TO BE USED IN ANY WAY DETRIMENTAL TO THE INTERESTS OF PANDUIT CORP.



FLOOR FOOTPRINT WITH
BASE ANGLES TURNED
OUTWARD FOR EXTENDED
FOOTPRINT



FLOOR FOOTPRINT WITH
BASE ANGLES TURNED INWARD

MODEL FILENAME	V10679ZG/01
CAD FILENAME/LAYERS	V10679ZG_DC/01A
<h1>PANDUIT</h1> CORP. TINLEY PARK, ILLINOIS	
8FT 42" DEEP 4 POST RACK (R4P4296/R4P42CN96) CUSTOMER DRAWING	

UNLESS OTHERWISE SPECIFIED,
DIMENSIONAL TOLERANCES ARE:
(.X) ± (.XXX) ±
(.XX) ± ANGLES ±

UNLESS OTHERWISE SPECIFIED,
ALL DIMENSIONS ARE GIVEN
IN INCHES, THIRD ANGLE PROJECTION.

OIA	10-9-09	BAME	<i>DPH</i>	SEE SHEET 1 OF 3 FOR REVISIONS	V10679ZG-DC					DRAWN BY BAME	MAT'L: STEEL	SCALE NONE	
OOA	7-2-09	BAME	DS1	SEE SHEET 1 OF 3 FOR REVISIONS	V10679ZG-DC		CMK			DATE 7-2-09		DRAWING NO. V10679ZG-DC SHEET 2 OF 3	DWG A SIZE
REV	DATE	BY	CHK	DESCRIPTION	ECN	R	CUST	SUP	OTH	CHK'D DS1			

THIS COPY IS PROVIDED ON A RESTRICTED BASIS AND IS NOT TO BE USED IN ANY WAY DETRIMENTAL TO THE INTERESTS OF PANDUIT CORP.

BONUS HOLES ARE FOR MOUNTING PANDUIT ACCESSORIES. SEE NOTE 1.

MOUNTING HOLES FOR OPTIONAL POWER STRIP BRACKET. BRACKETS CAN BE MOUNTED ON ANY OF THE 4 POSTS OR ADJUSTABLE RAILS.

OPTIONAL POST HOLES FOR BRACKET MOUNTING NETRUNNER

MASKED AREA FOR GROUNDING, TOP & BOTTOM OF RACK. 4 PLACES

BASE ANGLES (SEE SHEET 2 FOR MOUNTING POSITIONS)

"J" BOLT MOUNTING HOLES FOR SECURING LADDER RACK PERPENDICULAR AND PARALLEL TO 4 POST RACK.

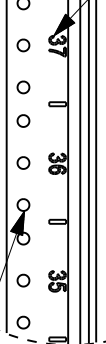
MOUNTING RAILS (ADJUSTABLE FROM 3.25" TO 42")

CUTOUTS ARE FOR MOUNTING PANDUIT ACCESSORIES SEE NOTE 1.

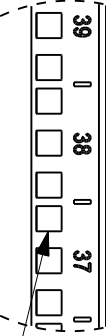
CROSS BEAMS ARE MARKED EVERY 1/2" FOR MOUNTING RAIL ALIGNMENT

MOUNTING HOLES FOR VERTICAL MANAGERS. DOUBLE HOLES ARE FOR MOUNTING PATCHRUNNER. SINGLE HOLES ARE FOR SIDE MOUNTING NETRUNNER.

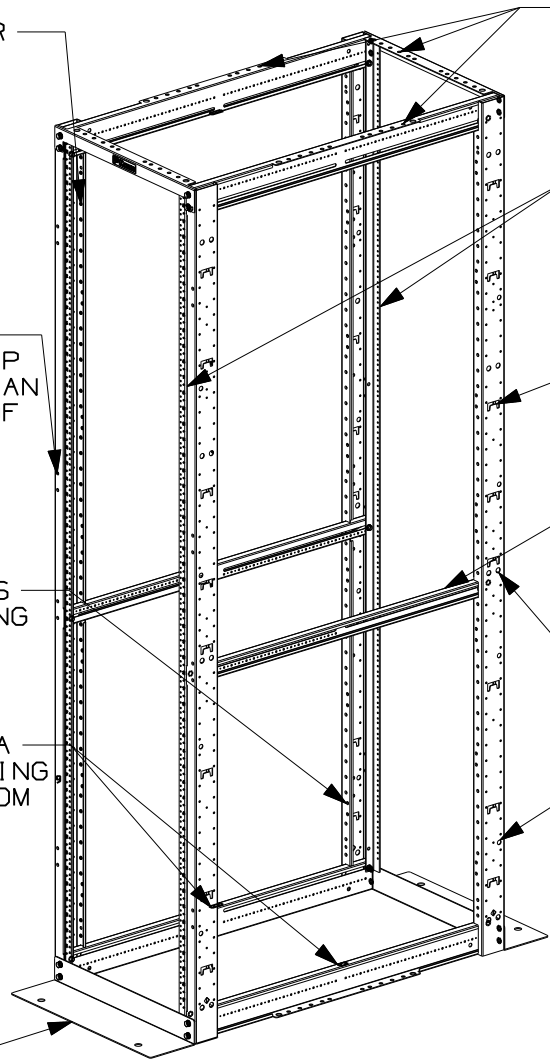
RU SPACINGS ARE PRINTED ON MOUNTING RAILS



R4P4296 RAILS HAVE TAPPED HOLES



R4P4296CN RAILS HAVE CAGE NUT HOLES



MODEL FILENAME	V10679ZG/01
CAD FILENAME/LAYERS	V10679ZG_DC/01A
<h1>PANDUIT</h1> CORP. TINLEY PARK, ILLINOIS	
8FT 42" DEEP 4 POST RACK (R4P4296/R4P42CN96) CUSTOMER DRAWING	

UNLESS OTHERWISE SPECIFIED, DIMENSIONAL TOLERANCES ARE:
 (.X) ± (.XXX) ±
 (.XX) ± ANGLES ±

UNLESS OTHERWISE SPECIFIED, ALL DIMENSIONS ARE GIVEN IN INCHES, THIRD ANGLE PROJECTION.

REV	DATE	BY	CHK	DESCRIPTION	ECN	R	CUST	SUP	OTH	DRAWN BY	MAT'L	SCALE	DRAWING NO.	DWG SIZE	
01A	10-9-09	BAME	DPH	SEE SHEET 1 OF 3 FOR REVISIONS	V10679ZG-DC					BAME	STEEL	NONE	V10679ZG-DC	A	
00A	7-2-09	BAME	DS1	SEE SHEET 1 OF 3 FOR REVISIONS	V10679ZG-DC		CMK			DATE 7-2-09				SHEET 3 OF 3	
										CHK'D DS1					