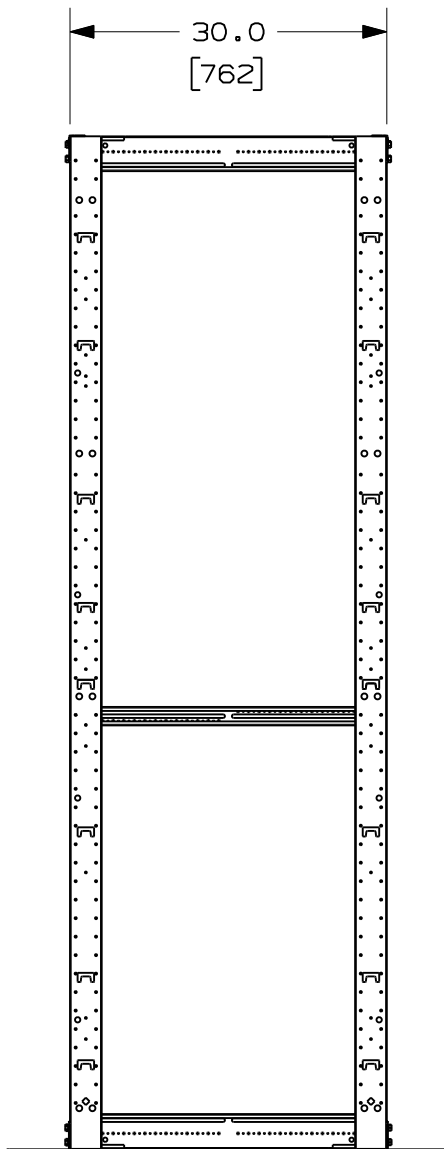
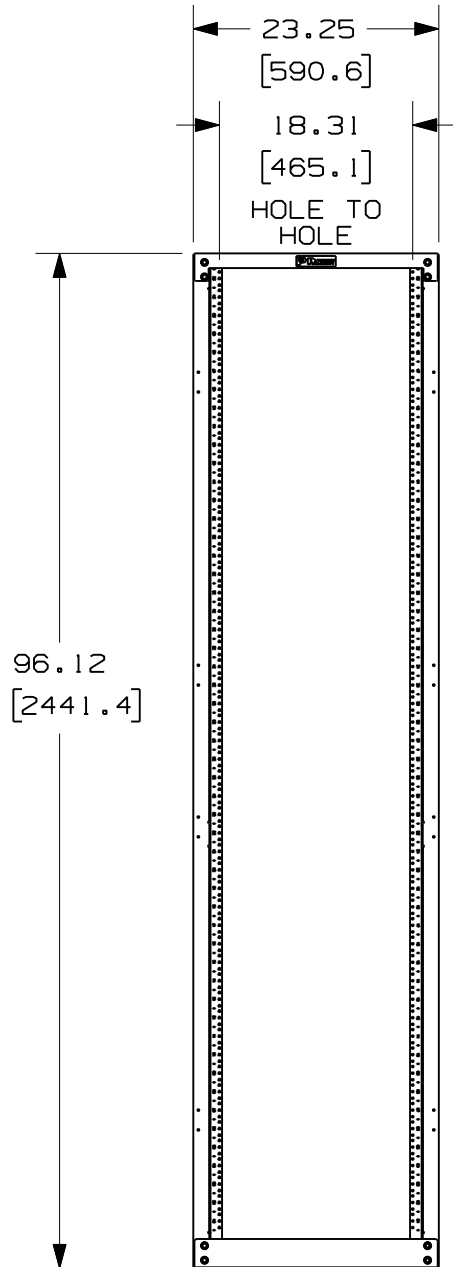


THIS COPY IS PROVIDED ON A RESTRICTED BASIS AND IS NOT TO BE USED IN ANY WAY DETRIMENTAL TO THE INTERESTS OF PANDUIT CORP.



PANDUIT P/N	WEIGHT
R4P96	116 LBS/EACH 52.5 Kg/EACH
R4PCN96	106 LBS/EACH 48.0 Kg/EACH

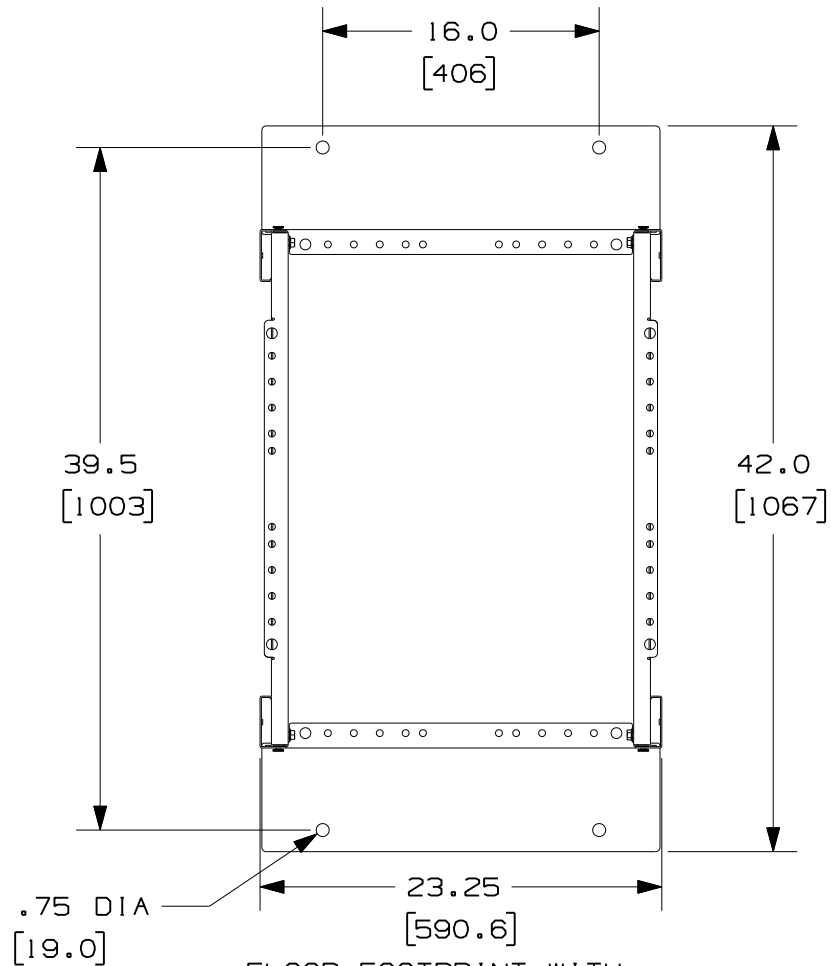
NOTES:

- VISIT OUR ON-LINE CATALOG AT WWW.PANDUIT.COM FOR A LIST OF CURRENT PARTS APPLICABLE FOR USE WITH THIS PRODUCT.
- DIMENSIONS IN PARENTHESIS ARE METRIC.
- INDEPENDENT ADJUSTABLE FRONT & REAR MOUNTING RAILS (EIA) ADJUST FROM 2.75" TO 30" DEPTH.
- CAN BE USED WITH ANY EIA STANDARD COMPONENT IN ADDITION TO ALL PANDUIT HORIZONTAL CABLE MANAGEMENT AND PATCH PANEL PRODUCTS.
- 52 AVAILABLE RACK SPACES.
- EIA UNIVERSAL STANDARD HOLE PROGRESSION ON FRONT CHANNELS AND REAR MOUNT RAILS .625".625",.500",.625",.625",.500"...ETC.
- ALL RACKS WILL HAVE NUMBERS UP ORIENTATION (RU "01" ON BOTTOM, RU "52" ON TOP). INSTRUCTIONS WILL BE PROVIDED ON HOW TO GET NUMBERS DOWN ORIENTATION.
- RU SPACING NUMBERS ARE CLEARLY PRINTED ON MOUNTING RAILS.
- ALL ASSEMBLY HARDWARE INCLUDED:
 - (16) 3/8-16 X 1" BLACK HEX BOLT
 - (16) 3/8" PAINT PIERCING GROUNDING WASHER
 - (1) TUBE OF ANTI-OXIDIZING PASTE
 - (25) 12-24 X .5" SLOTTED PAN HEAD STEEL SCREW
 - (25) #12-24 CAGE NUTS (ONLY PROVIDED FOR R4PCN96)
- EASY ASSEMBLY, ONE WRENCH NEEDED TO INSTALL BOLTS INTO WELDNUTS IN ALL 8 CORNERS.
- FULLY BONDED STRUCTURE WHEN ASSEMBLED PER INSTRUCTIONS.
- LOAD RATING - 2500 LBS.

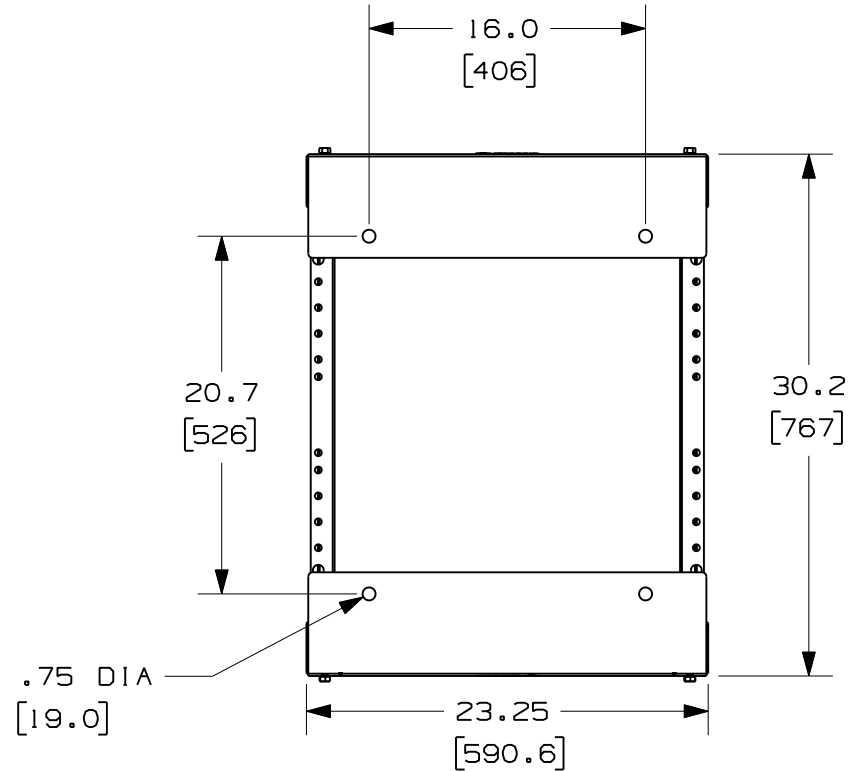
MODEL FILENAME		V10679AH/01	
CAD FILENAME/LAYERS		V10679AH_DC/01A	
<h1>PANDUIT</h1> CORP. TINLEY PARK, ILLINOIS			
8 FOOT 30" DEEP 4 POST RACK (R4P96/R4PCN96) CUSTOMER DRAWING			
UNLESS OTHERWISE SPECIFIED, DIMENSIONAL TOLERANCES ARE:		UNLESS OTHERWISE SPECIFIED, ALL DIMENSIONS ARE GIVEN IN INCHES, THIRD ANGLE PROJECTION.	
(.X) ±		(.XXX) ±	
(.XX) ±		ANGLES ±	
DRAWN BY	MAT'L:	SCALE	
BAME	STEEL	NONE	
DATE		DRAWING NO.	DWG
7-2-09		V10679AH-DC	A
CHK'D		SHEET 1 OF 3	SIZE
DSI			

REV	DATE	BY	CHK	DESCRIPTION	ECN	R	CUST	SUP	OTH
O1A	10-9-09	BAME	DPH	ADJUSTED LOAD RATING HEIGHT WAS 96.00	V10679AH-DC				
OOA	7-2-09	BAME	DSI	RELEASED TO PRODUCTION	V10679AH-DC		CMK		

THIS COPY IS PROVIDED ON A RESTRICTED BASIS AND IS NOT TO BE USED IN ANY WAY DETRIMENTAL TO THE INTERESTS OF PANDUIT CORP.



FLOOR FOOTPRINT WITH
BASE ANGLES TURNED
OUTWARD FOR EXTENDED
FOOTPRINT



FLOOR FOOTPRINT WITH
BASE ANGLES TURNED INWARD

MODEL FILENAME	V10679AH/01
CAD FILENAME/LAYERS	V10679AH_DC/01A
<h1>PANDUIT</h1> CORP. TINLEY PARK, ILLINOIS	
8 FOOT 30" DEEP 4 POST RACK (R4P96/R4PCN96) CUSTOMER DRAWING	

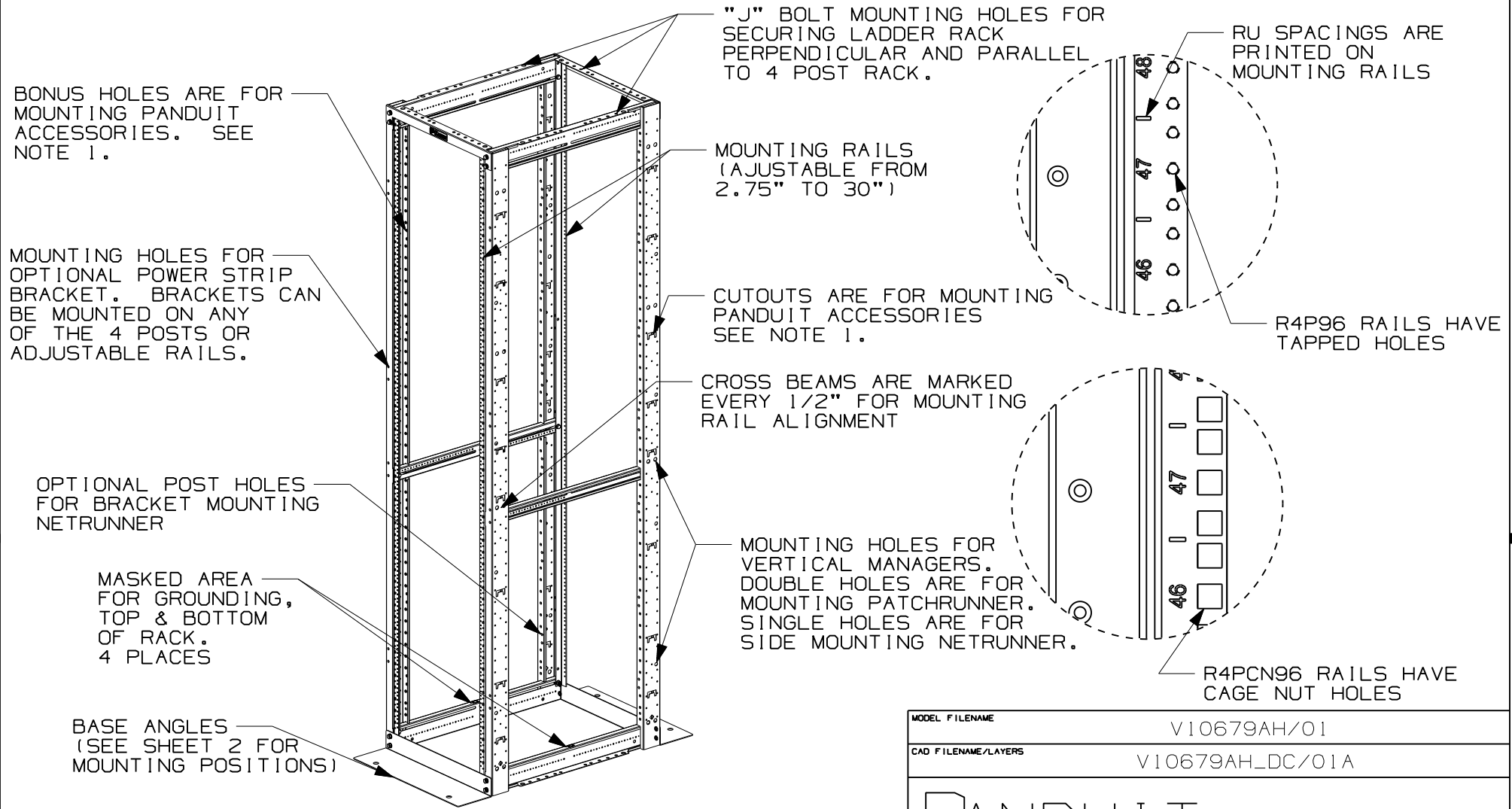
UNLESS OTHERWISE SPECIFIED,
DIMENSIONAL TOLERANCES ARE:
(.X) ± (.XXX) ±
(.XX) ± ANGLES ±

UNLESS OTHERWISE SPECIFIED,
ALL DIMENSIONS ARE GIVEN
IN INCHES, THIRD ANGLE PROJECTION.

REV	DATE	BY	CHK	DESCRIPTION	ECN	R	CUST	SUP	OTH
O1A	10-9-09	BAME	<i>DSI</i>	SEE SHEET 1 OF 3 FOR REVISIONS	V10679AH-DC				
OOA	7-2-09	BAME	DS1	SEE SHEET 1 OF 3 FOR REVISIONS	V10679AH-DC		CMK		

DRAWN BY BAME	MAT'L: STEEL	SCALE NONE
DATE 7-2-09		DRAWING NO. V10679AH-DC
CHK'D DS1		SHEET 2 OF 3
		DWG A SIZE

THIS COPY IS PROVIDED ON A RESTRICTED BASIS AND IS NOT TO BE USED IN ANY WAY DETRIMENTAL TO THE INTERESTS OF PANDUIT CORP.



MODEL FILENAME	V10679AH/01
CAD FILENAME/LAYERS	V10679AH_DC/01A
<h1>PANDUIT</h1> CORP. TINLEY PARK, ILLINOIS	
8 FOOT 30" DEEP 4 POST RACK (R4P96/R4PCN96) CUSTOMER DRAWING	

UNLESS OTHERWISE SPECIFIED, DIMENSIONAL TOLERANCES ARE: (.X) ± (.XX) ±	UNLESS OTHERWISE SPECIFIED, ALL DIMENSIONS ARE GIVEN IN INCHES, THIRD ANGLE PROJECTION.
---	---

REV	DATE	BY	CHK	DESCRIPTION	ECN	R	CUST	SUP	OTH
01A	10-9-09	BAME	DPH	SEE SHEET 1 OF 3 FOR REVISIONS	V10679AH-DC				
01A	7-2-09	BAME	DSI	SEE SHEET 1 OF 3 FOR REVISIONS	V10679AH-DC		CMK		

DRAWN BY BAME	MAT'L: STEEL	SCALE NONE
DATE 7-2-09		DRAWING NO. V10679AH-DC
CHK'D DSI		SHEET 3 OF 3
		DWG A SIZE